

[54] **SAMPLE DISPLAY SHELVING UNIT**

[75] **Inventor:** Ernest G. Ovitz, III, Galva, Ill.

[73] **Assignee:** John H. Best & Sons, Inc., Atlanta, Ga.

[**] **Term:** 14 Years

[21] **Appl. No.:** 924,458

[22] **Filed:** Jul. 13, 1978

[51] **Int. Cl.** D20—02

[52] **U.S. Cl.** D6/186; D6/157;
D6/184

[58] **Field of Search** D6/85, 157, 180, 181,
D6/184, 186, 188-190, 132, 136; 211/13, 126,
128, 129, 131, 133, 134, 135; D25/78

[56]

References Cited

U.S. PATENT DOCUMENTS

D. 143,125	12/1945	Brinkema	D6/186
D. 151,781	11/1948	Morrison	D6/186
D. 206,241	11/1966	Bard	D25/78
D. 210,472	3/1968	Vogt	D25/78
D. 244,818	6/1977	Schweitzer	D6/132
2,760,647	8/1956	Saul	211/13
3,534,863	10/1970	Howard	211/133

Primary Examiner—B. J. Bullock

Attorney, Agent, or Firm—James B. Kinzer

[57]

CLAIM

The ornamental design for a sample display shelving unit, substantially as shown and described.

DESCRIPTION

FIG. 1 is a perspective view of a sample display shelving unit showing my new design, the rear being identical except for the location of the shelves; FIG. 2 is an enlarged side elevational view shown broken away for ease of illustration.

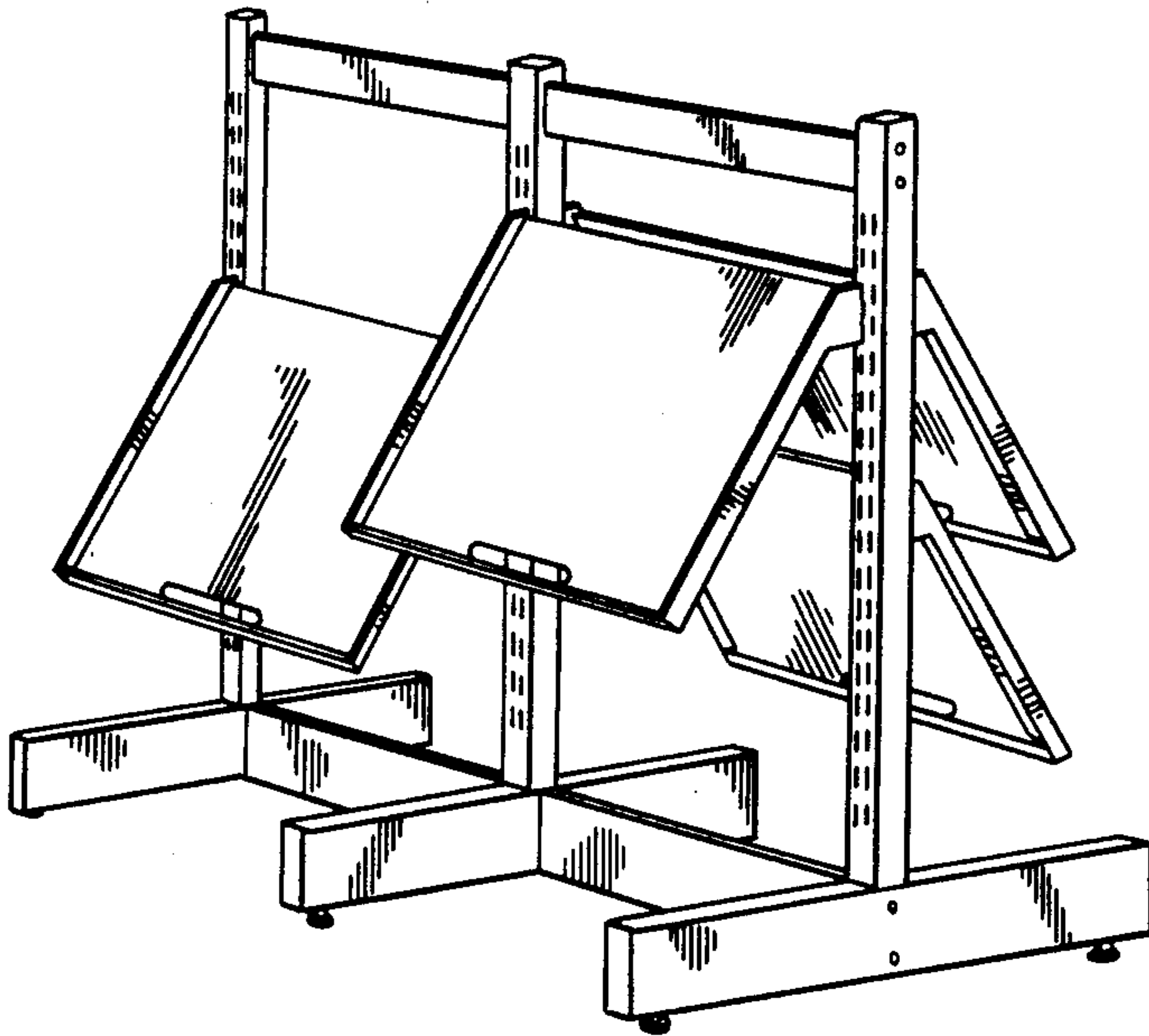


FIG. 2

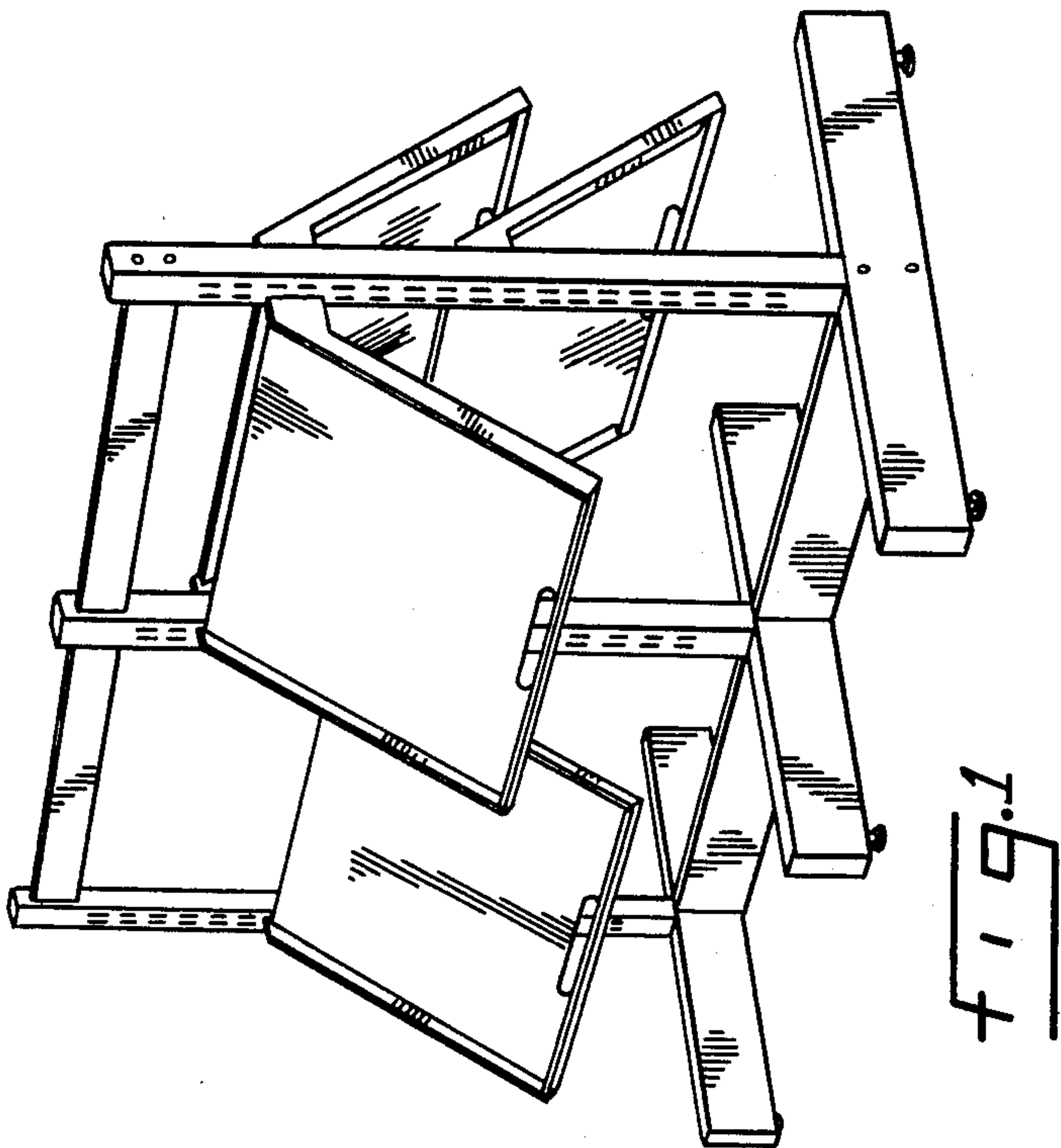
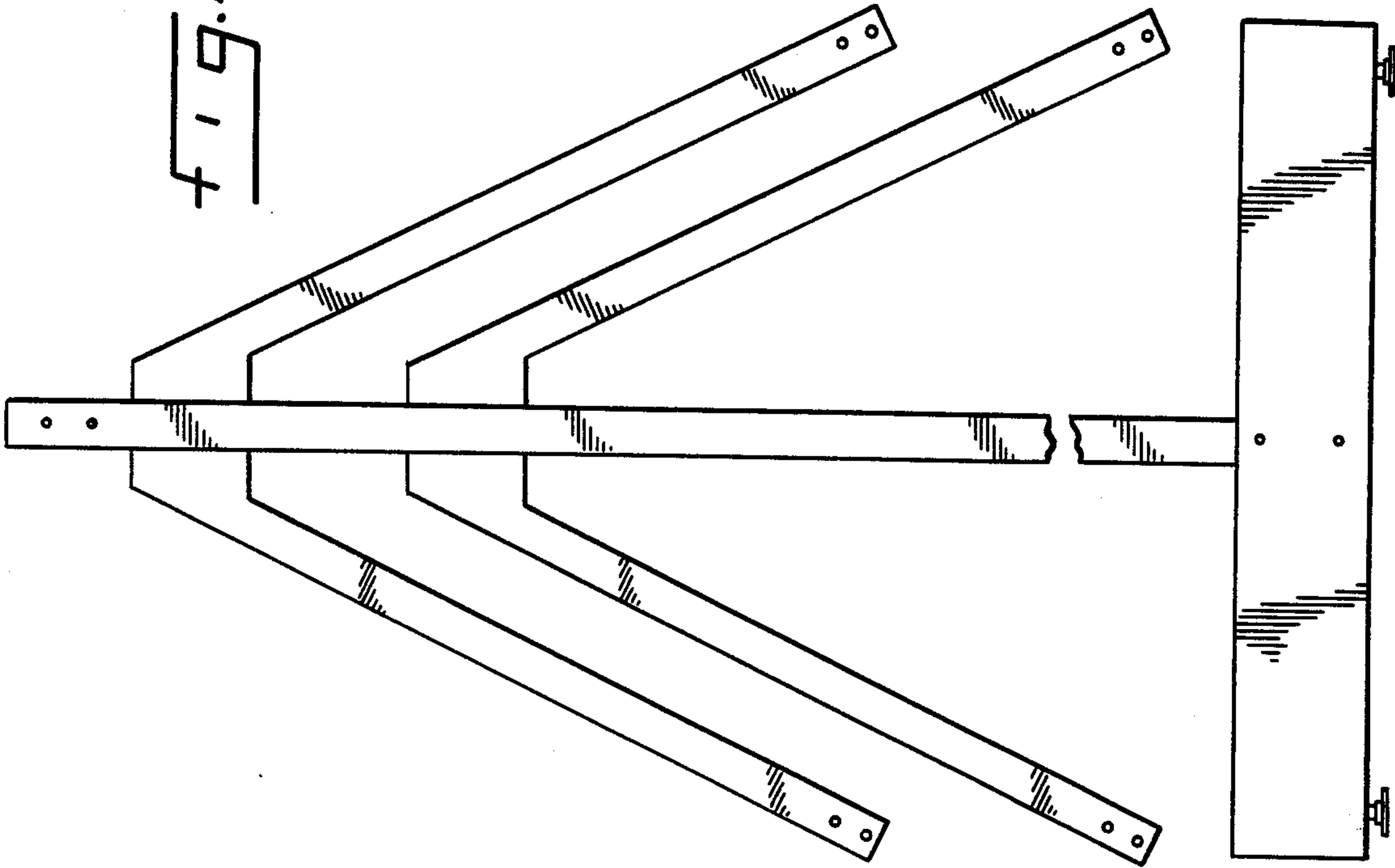


FIG. 1