

[54] TABLE

[76] Inventor: Joseph T. Verdesca, 5604 Lobello Dr., Dallas, Tex. 75229

[**] Term: 14 Years

[21] Appl. No.: 926,713

[22] Filed: Jul. 17, 1978

[51] Int. Cl. D06-03

[52] U.S. Cl. D6/179

[58] Field of Search D6/177, 179, 181, 174; 312/211; D14/40, 42, 44, 45, 48, 50

[56] References Cited

U.S. PATENT DOCUMENTS

- D. 221,086 7/1971 Fossella D6/174
- D. 250,380 11/1978 Verdesca et al. D6/177

OTHER PUBLICATIONS

J. C. Penney, Spring/Summer 1972, p. 873, Item No. 3, "Open Cabinet," A802-2824 A.

Primary Examiner—Joel Stearman
Assistant Examiner—Carmen H. Vales

[57] CLAIM

The ornamental design for a table, as shown.

DESCRIPTION

FIG. 1 is a front perspective view of a table showing my new design;

FIG. 2 is a side elevational view thereof, the opposite side being a mirror image thereof;

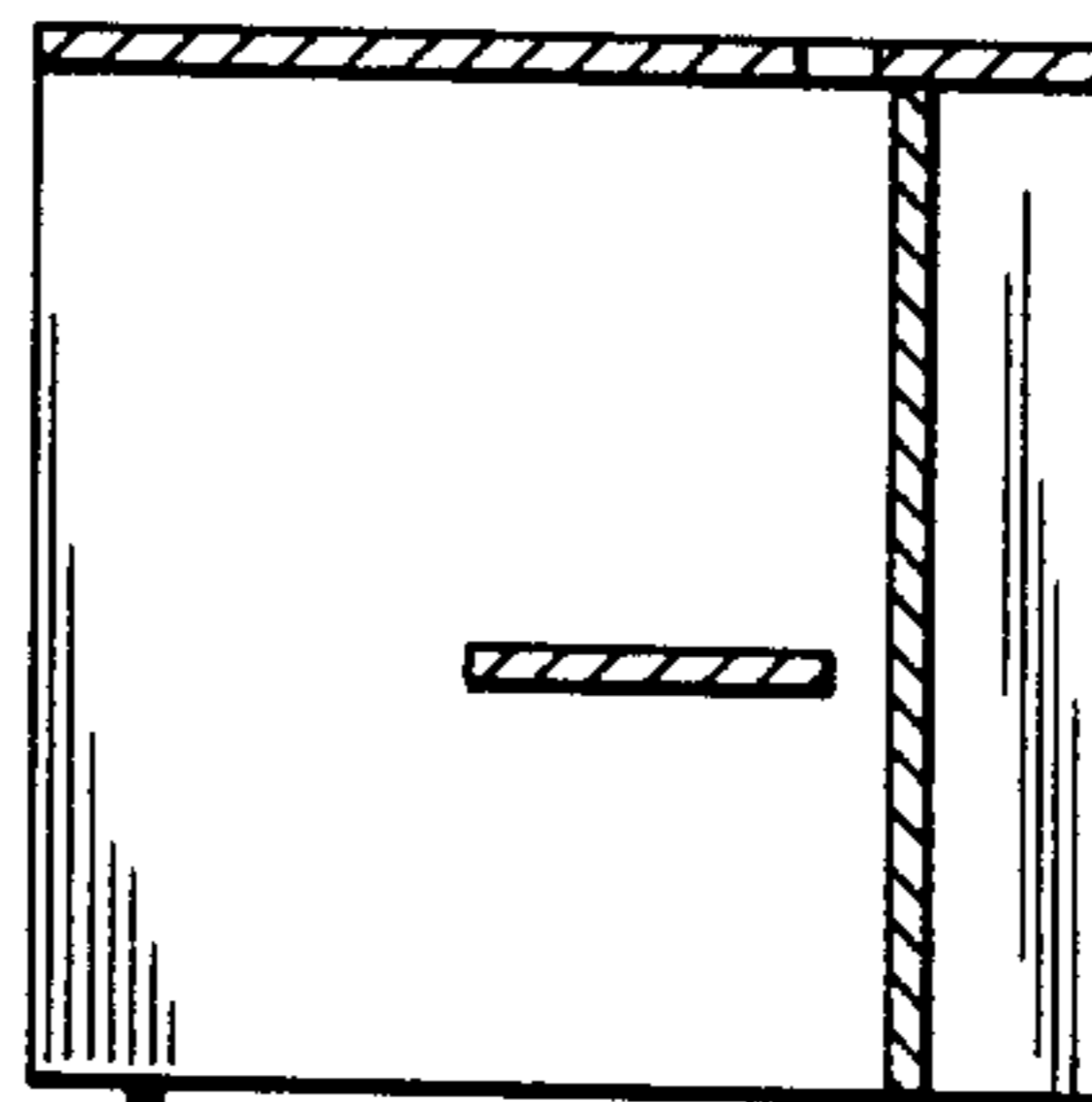
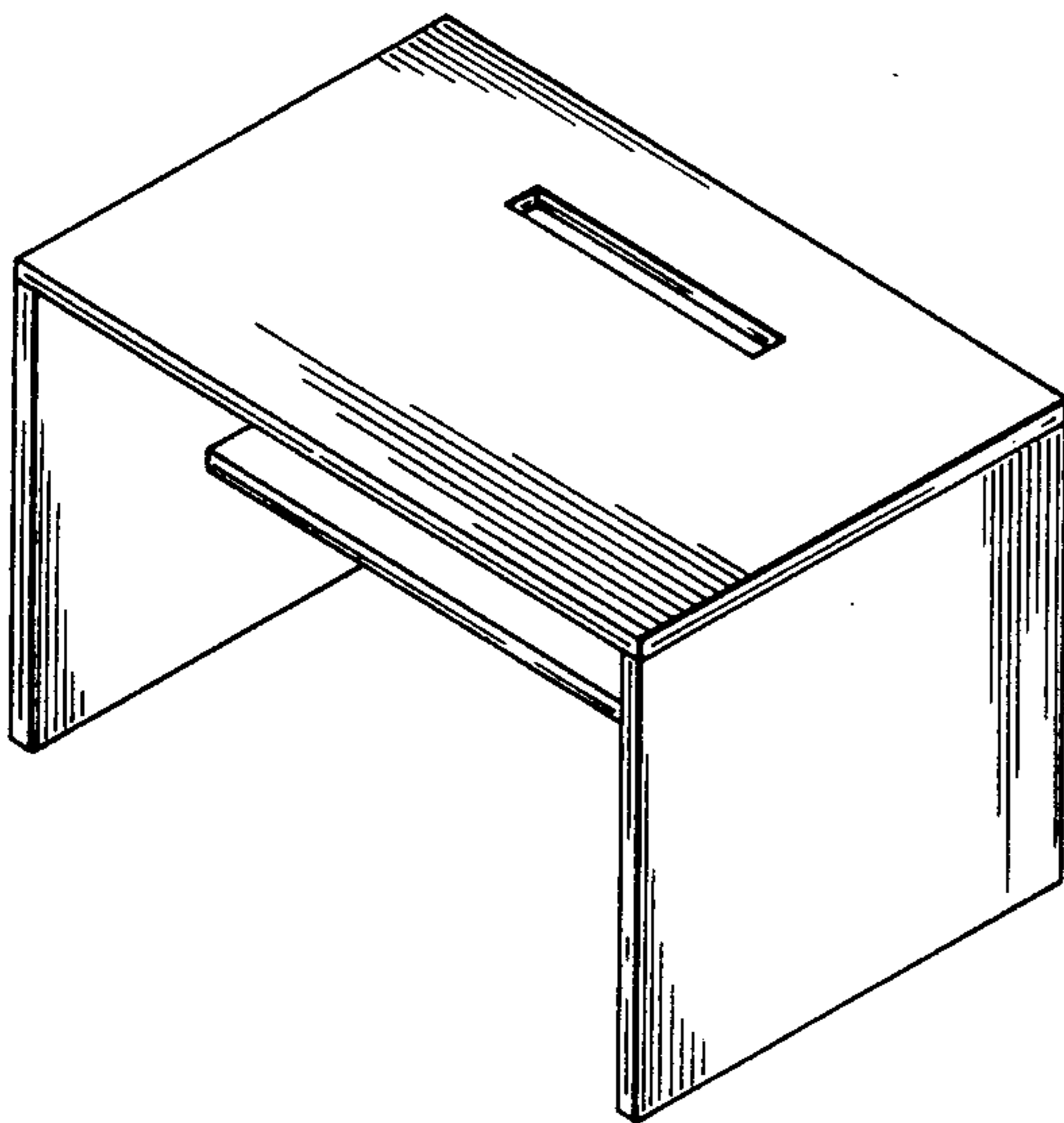
FIG. 3 is a top plan view thereof;

FIG. 4 is a vertical sectional view taken from FIG. 1;

FIG. 5 is a front elevational view thereof;

FIG. 6 is a bottom plan view thereof; and

FIG. 7 is a rear elevational view thereof.



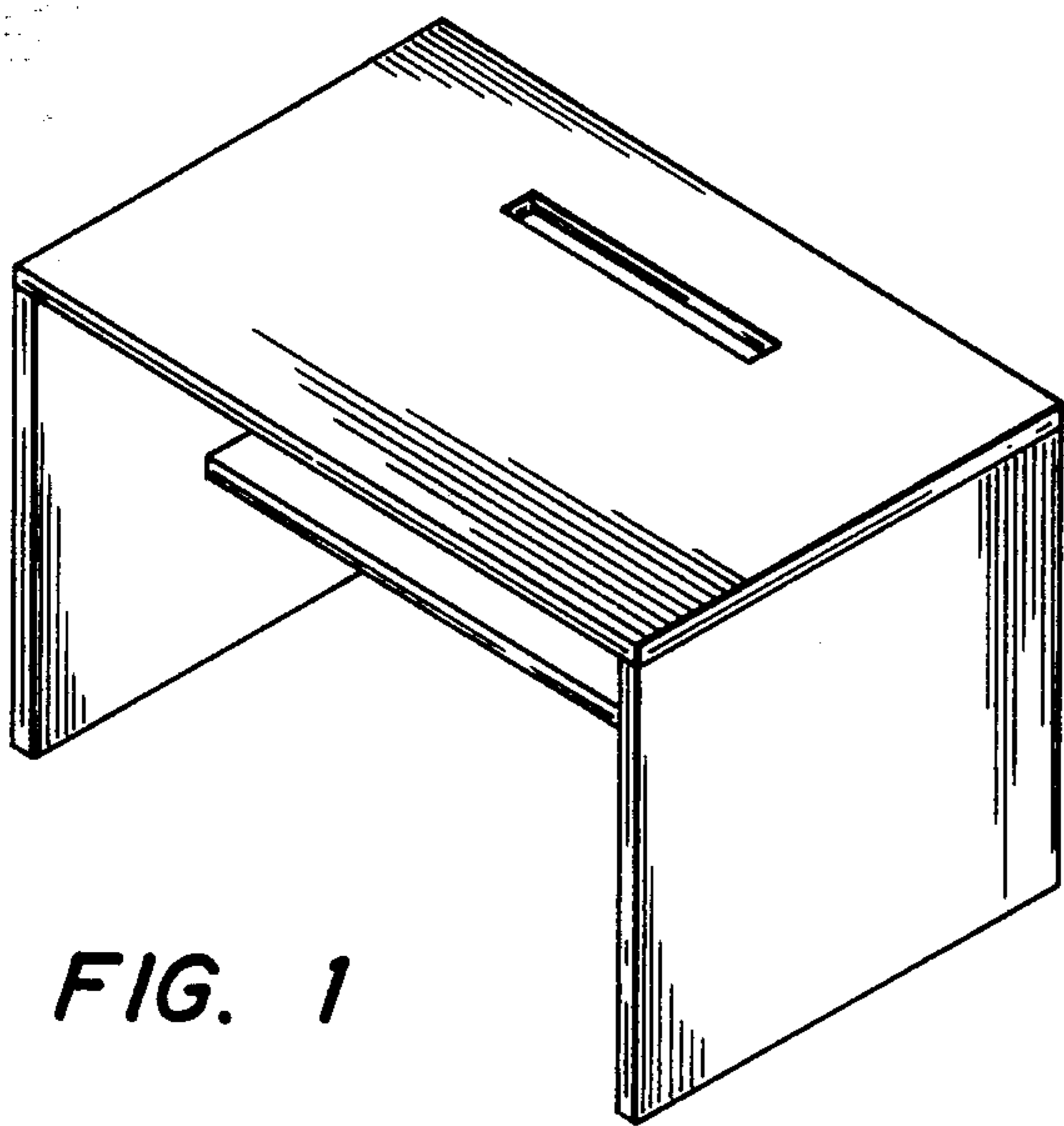


FIG. 1

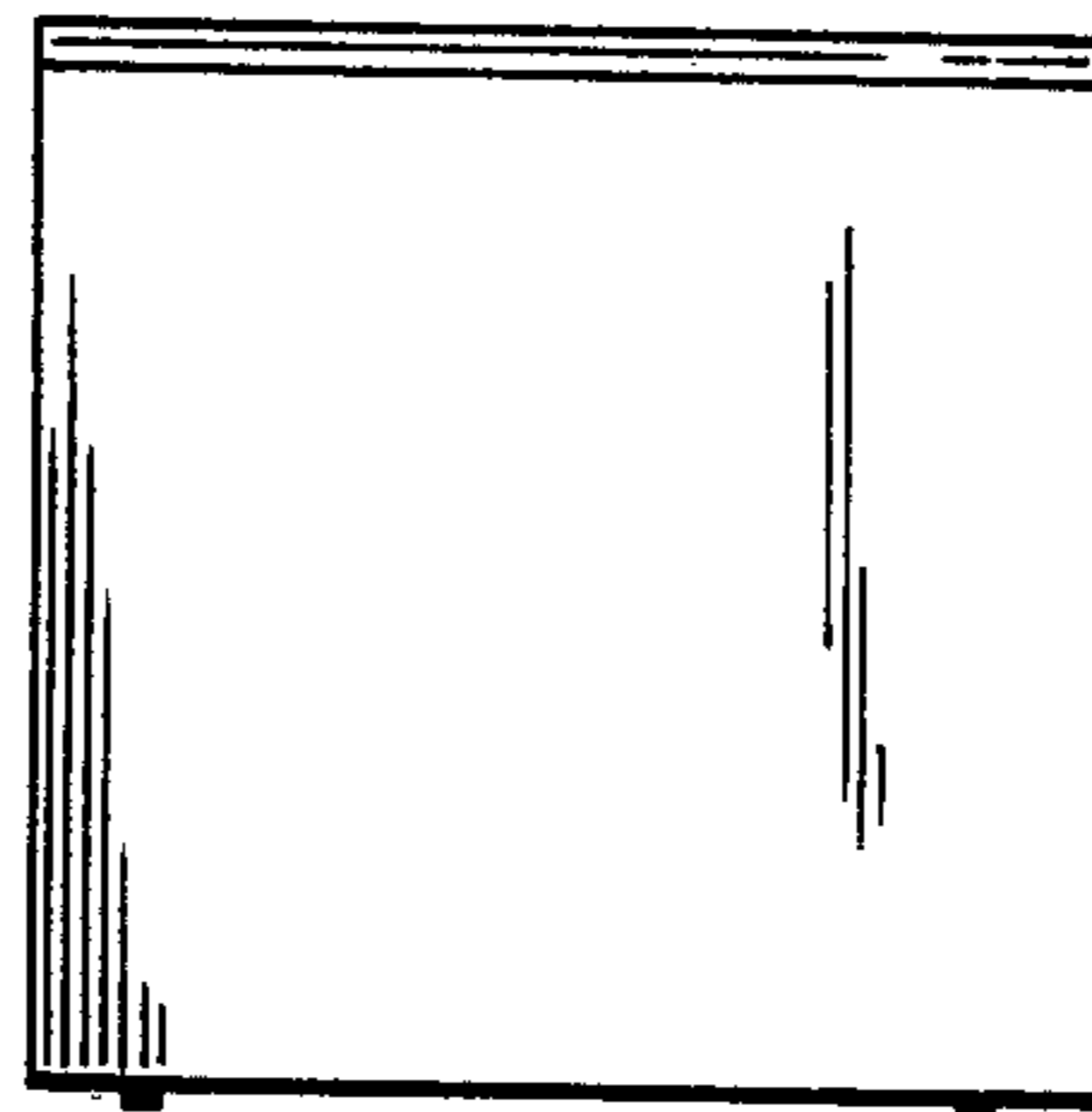


FIG. 2

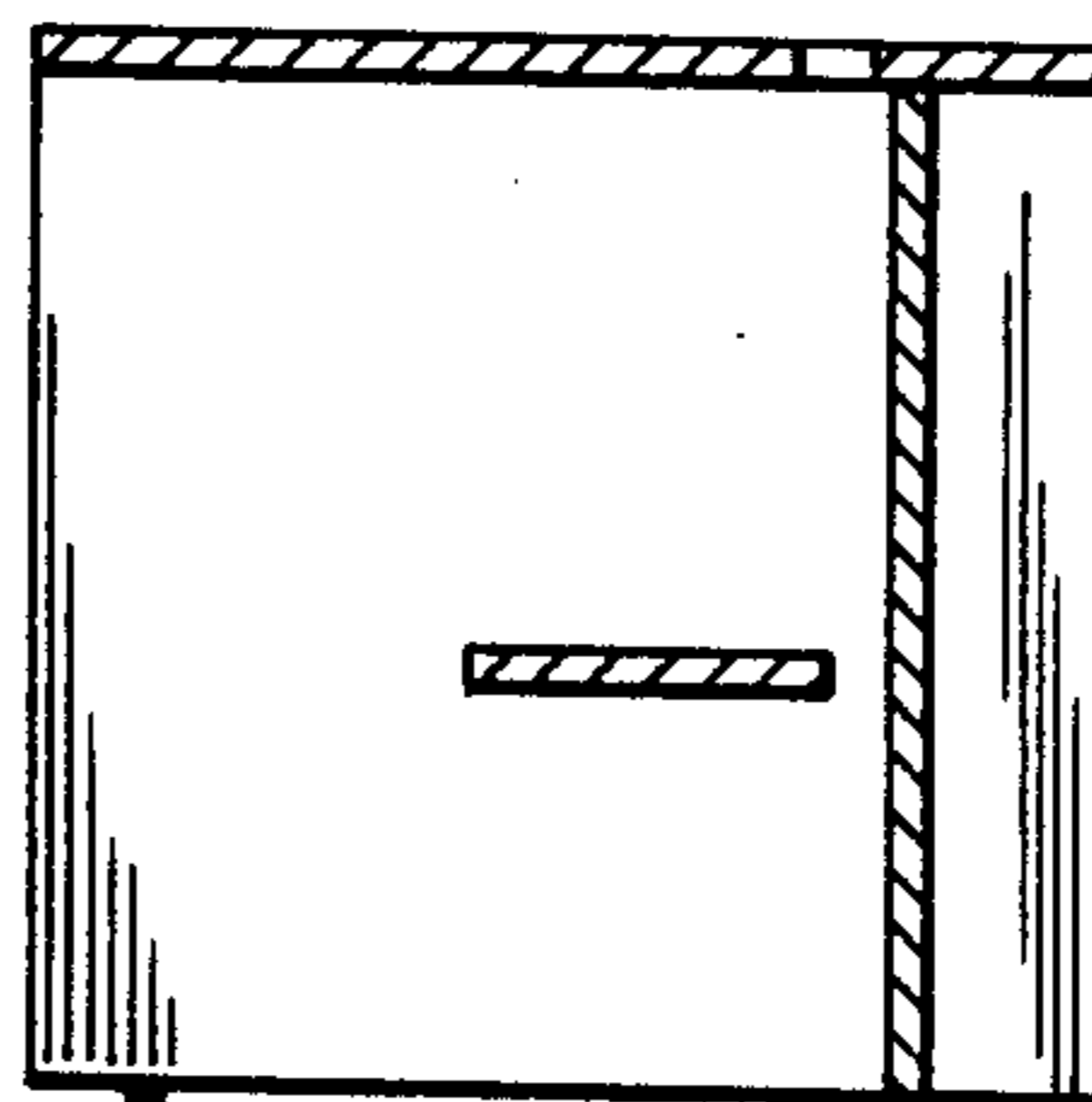


FIG. 4

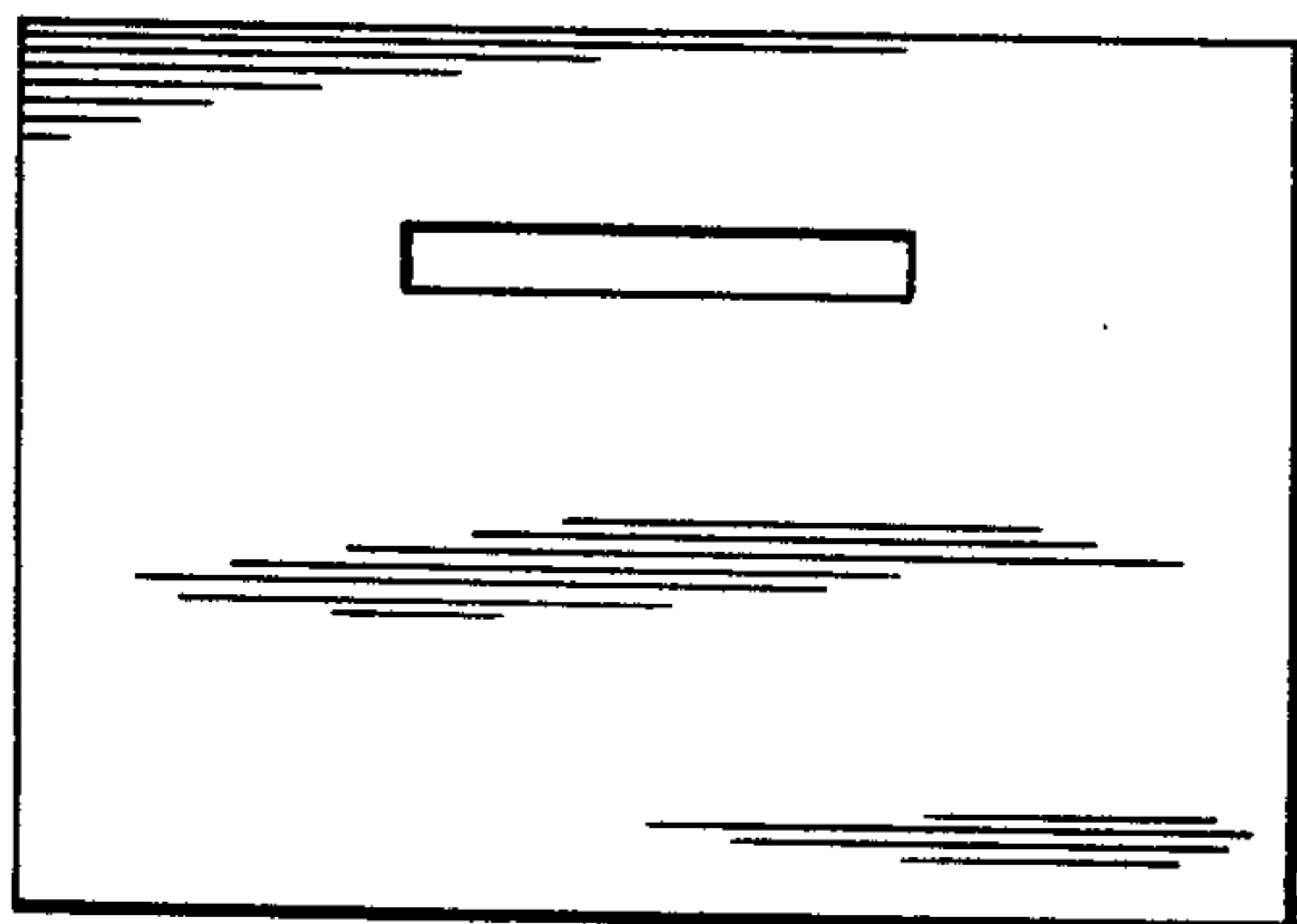


FIG. 3

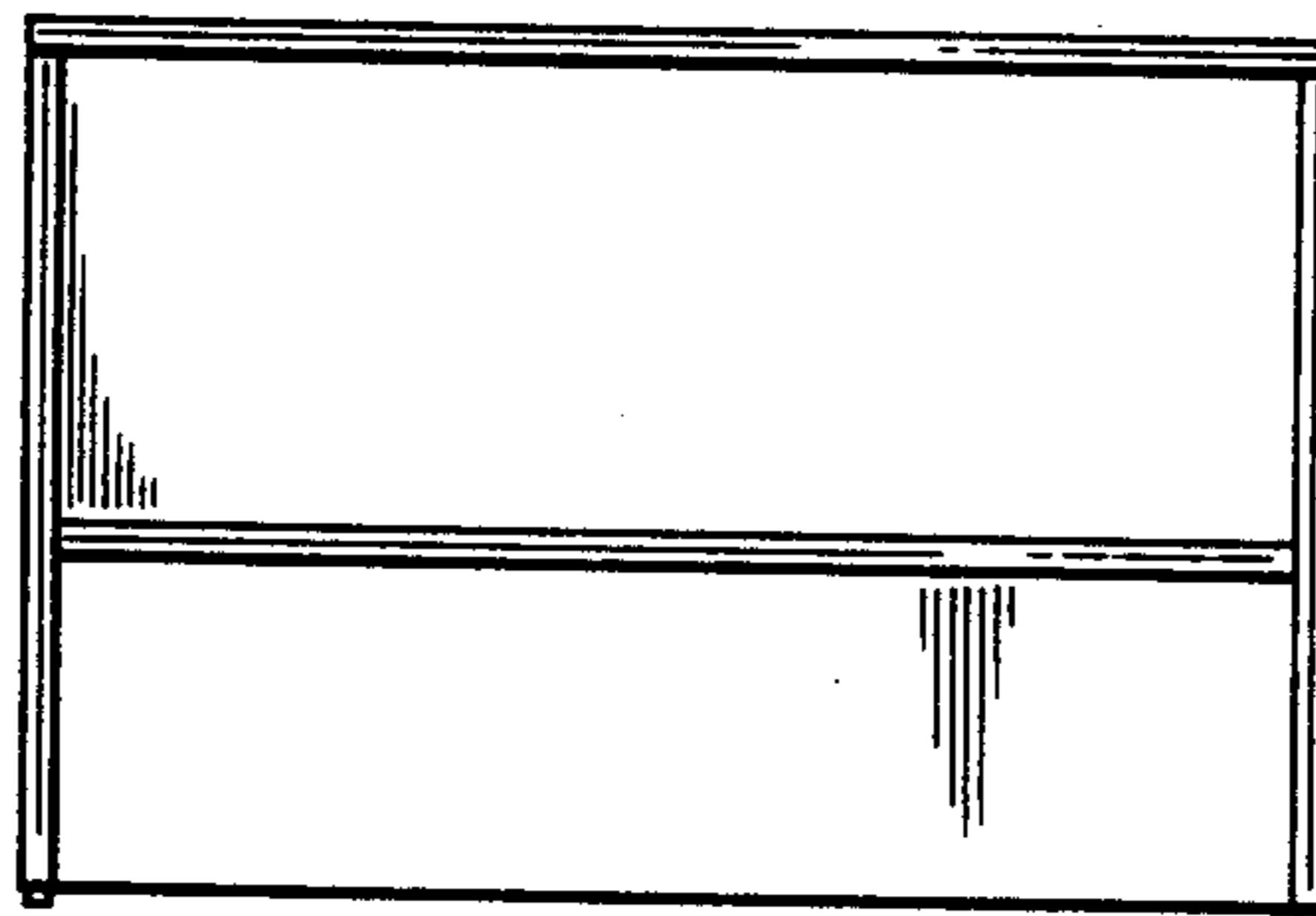


FIG. 5

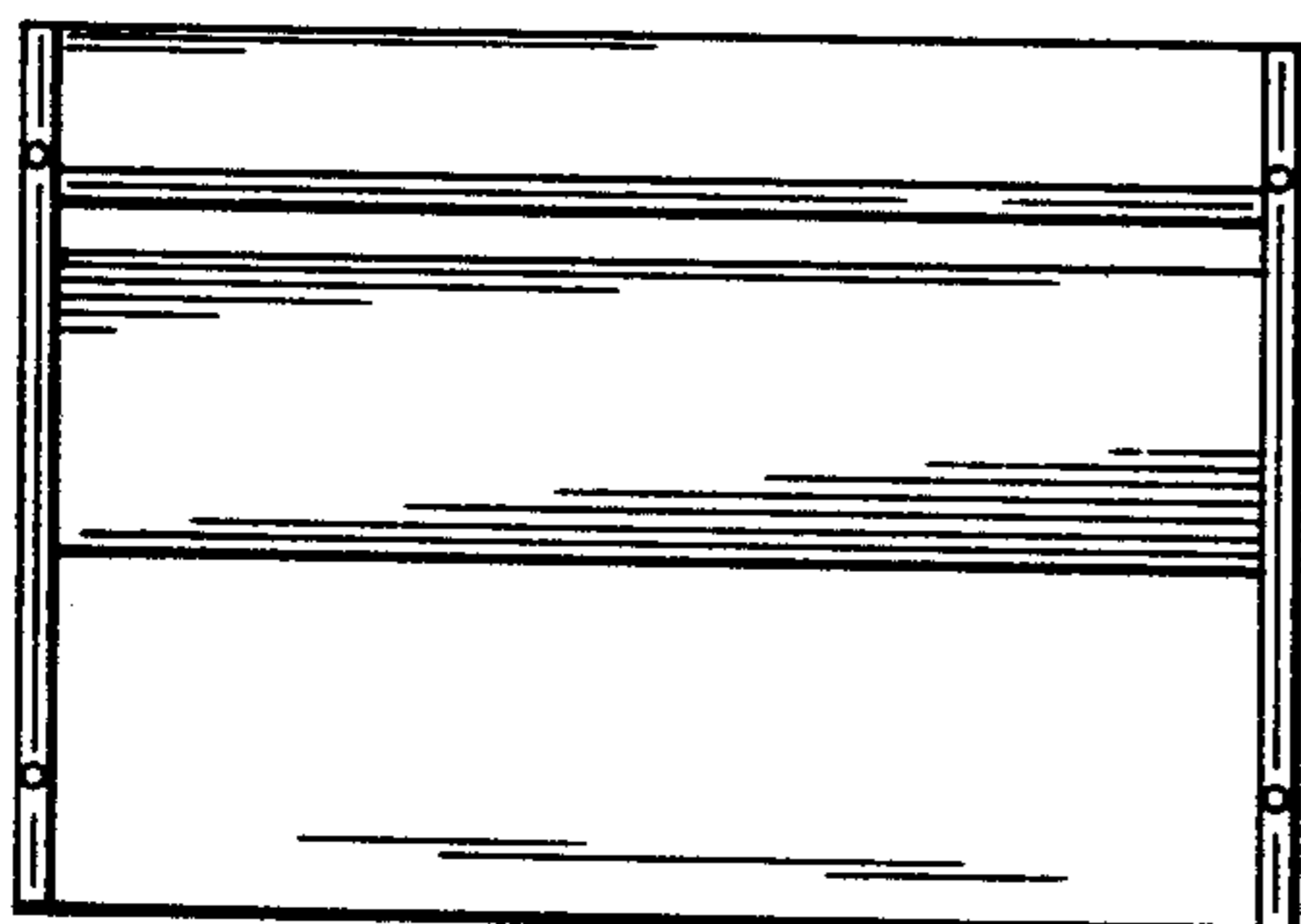


FIG. 6

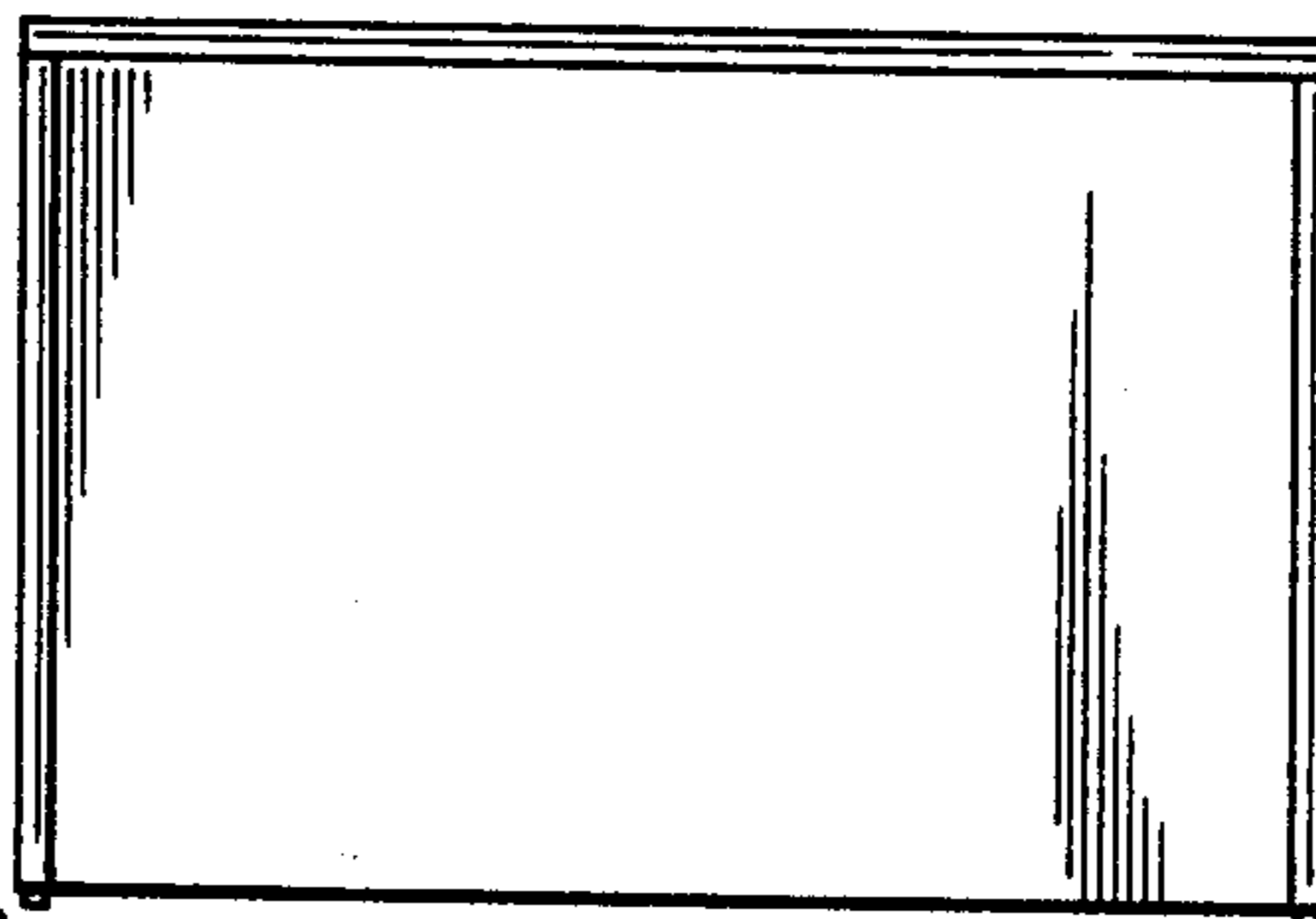


FIG. 7