

[54] COMBINED TABLE AND RECESSED STORAGE UNIT

[76] Inventor: Joseph T. Verdesca, 5604 Lobello Dr., Dallas, Tex. 75229

[**] Term: 14 Years

[21] Appl. No.: 925,316

[22] Filed: Jul. 17, 1978

[51] Int. Cl. D06-03

[52] U.S. Cl. D6/179; D6/128; D6/167

[58] Field of Search D6/167, 168, 169, 170, D6/177, 179, 181, 128; 312/7 R, 9, 211, 242

[56] References Cited

U.S. PATENT DOCUMENTS

D. 234,386	2/1975	Hodges et al.	D6/170
D. 250,380	11/1978	Verdesca et al.	D6/177
874,846	12/1907	Higgins	312/204
3,838,902	10/1974	Tenani	312/195

OTHER PUBLICATIONS

Interiors, Sep. 1977; p. 44; Desk in foreground.
Design No. 324, Dec. 1975, p. 27, "Zanotta Office Furniture," No. 1 desk.

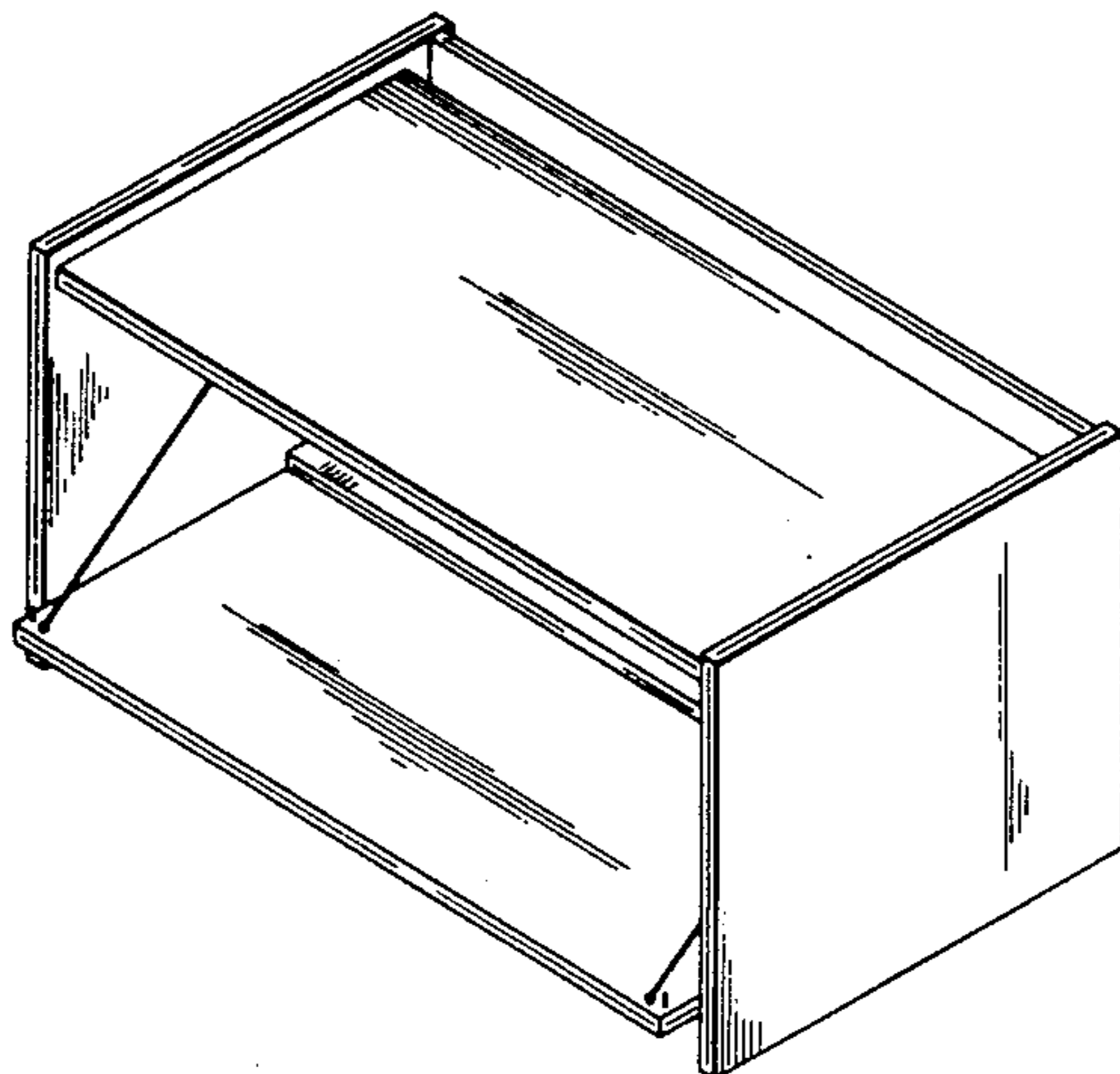
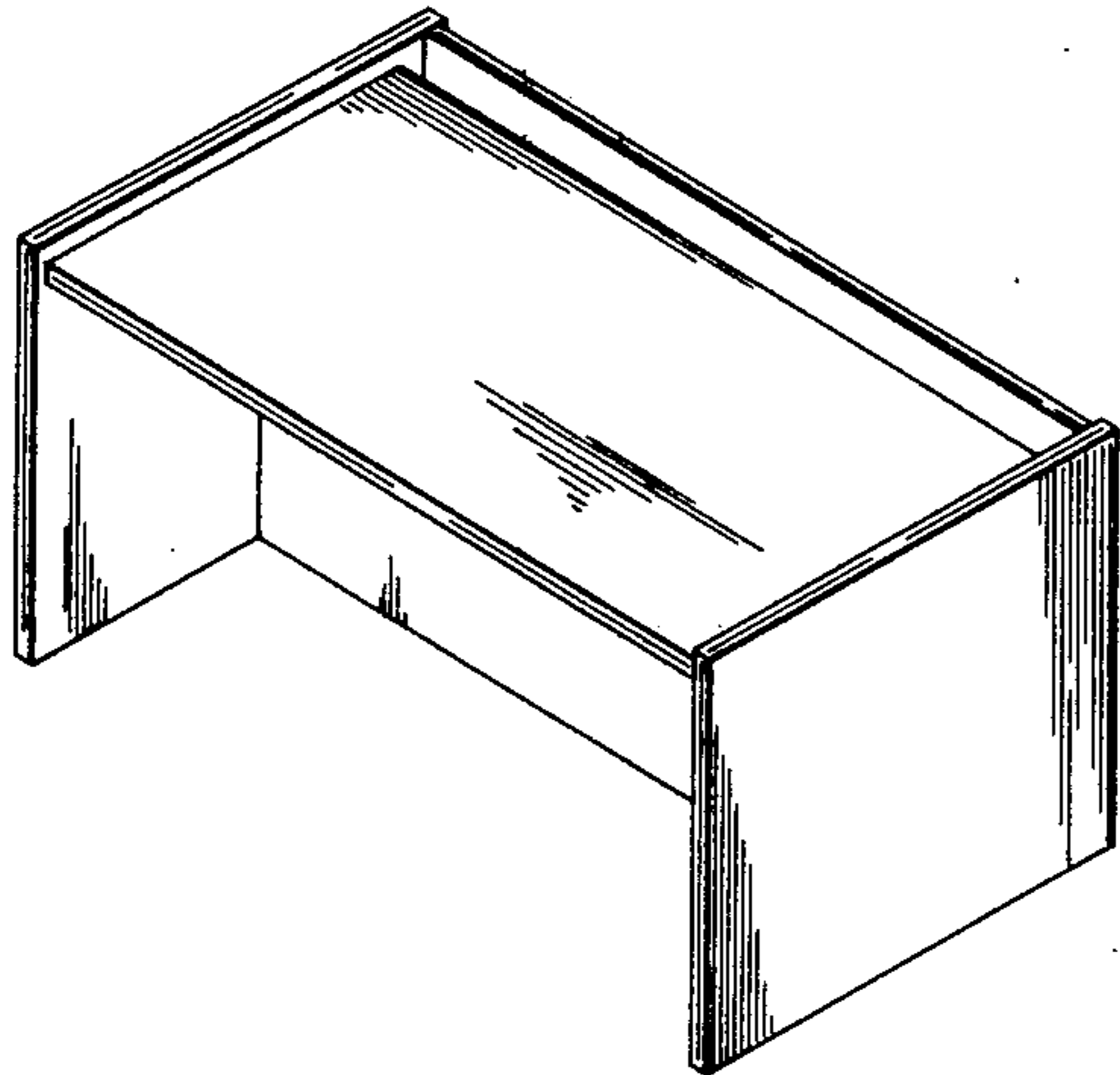
Primary Examiner—Joel Stearman
Assistant Examiner—Carmen H. Vales

[57] CLAIM

The ornamental design for a combined table and recessed storage unit, as shown.

DESCRIPTION

FIG. 1 is a front perspective view of a combined table and recessed storage unit showing my new design; FIG. 2 is a front perspective view with the storage door in operative position; FIG. 3 is a front elevational view taken from FIG. 1; FIG. 4 is a sectional view taken along lines 4-4 of FIG. 3; FIG. 5 is a rear elevational view thereof; FIG. 6 is a side elevational view thereof; the opposite side being a mirror image thereof; FIG. 7 is a top plan view thereof; and FIG. 8 is a bottom plan view thereof.



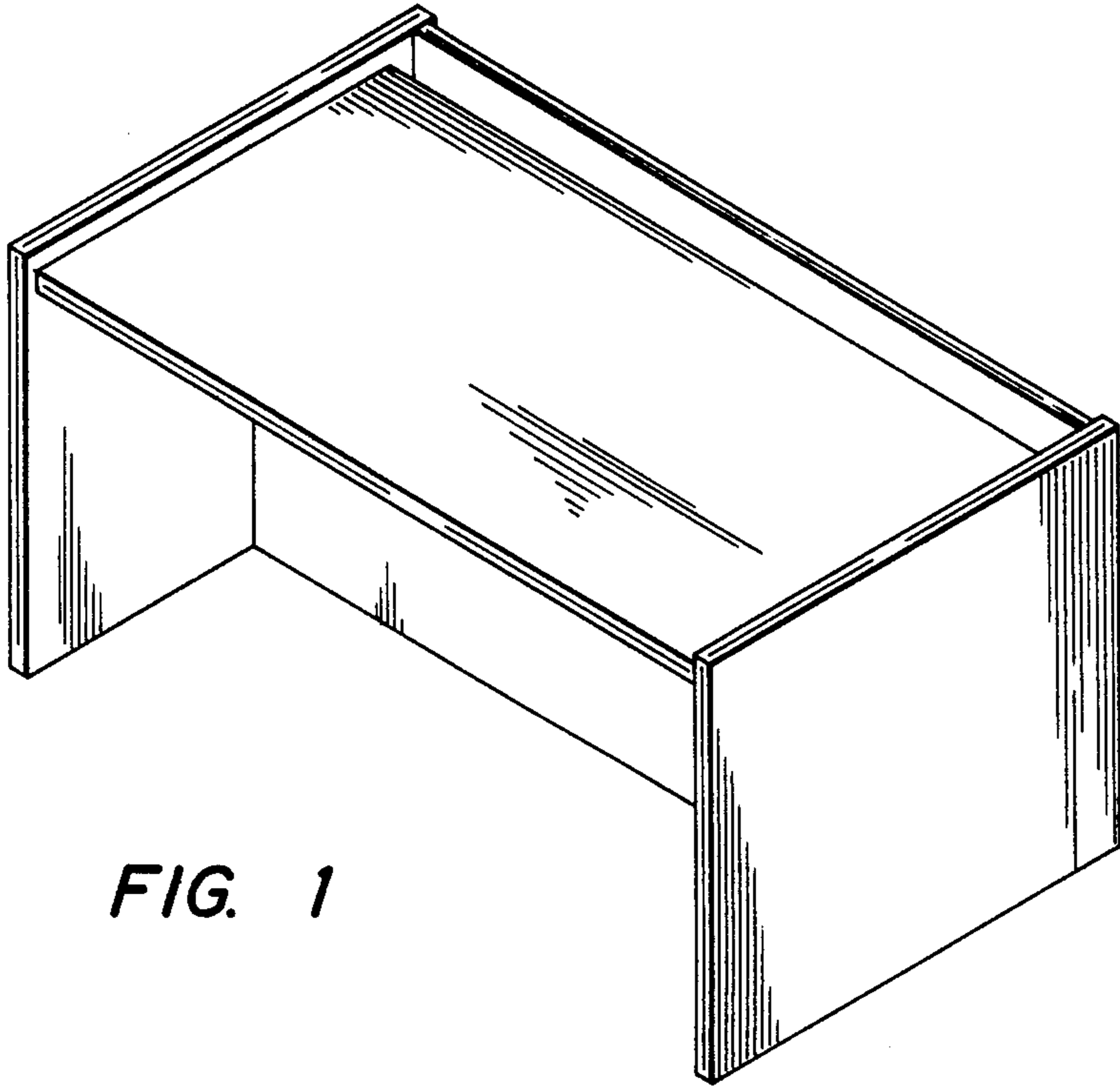


FIG. 1

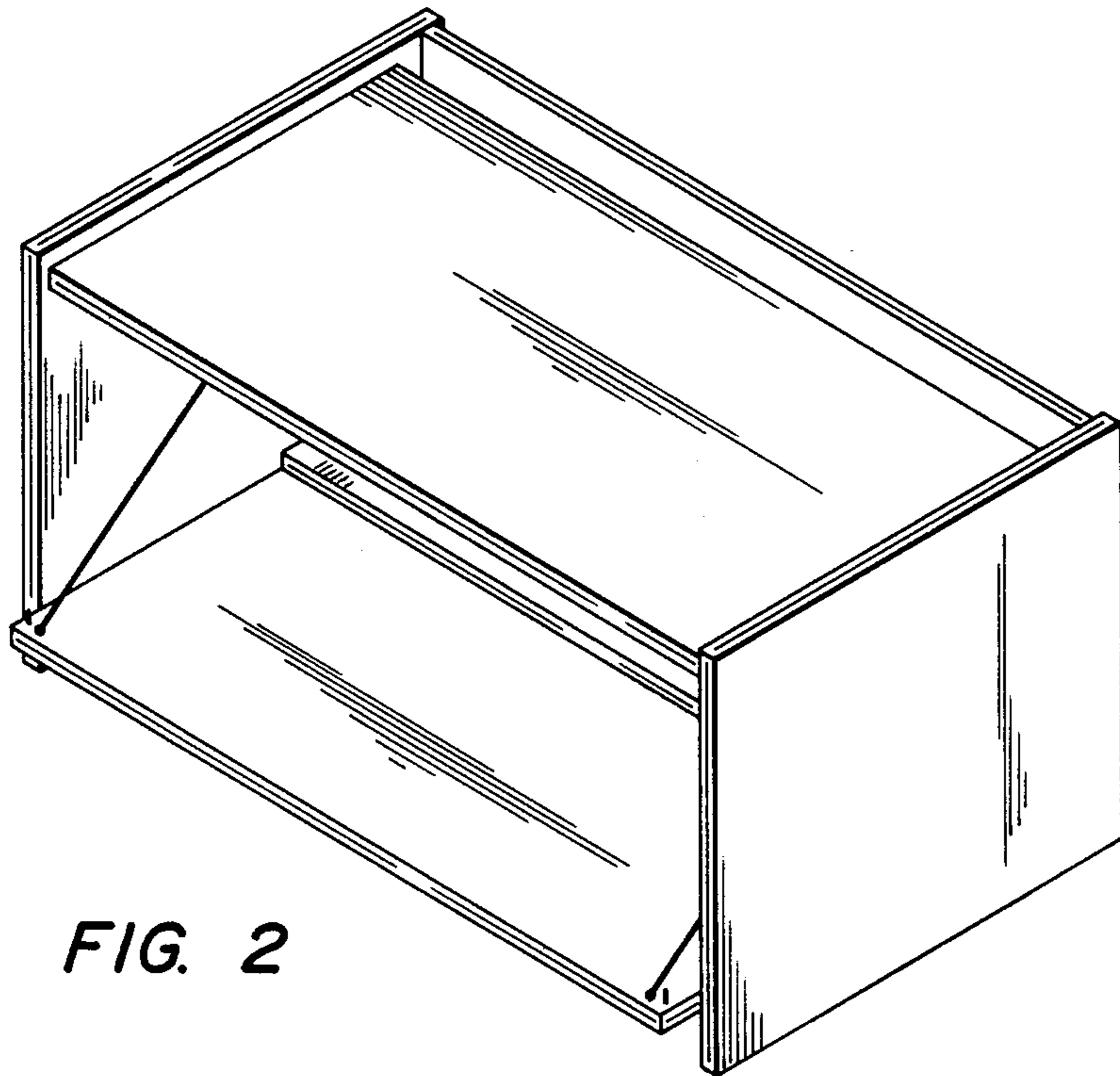


FIG. 2

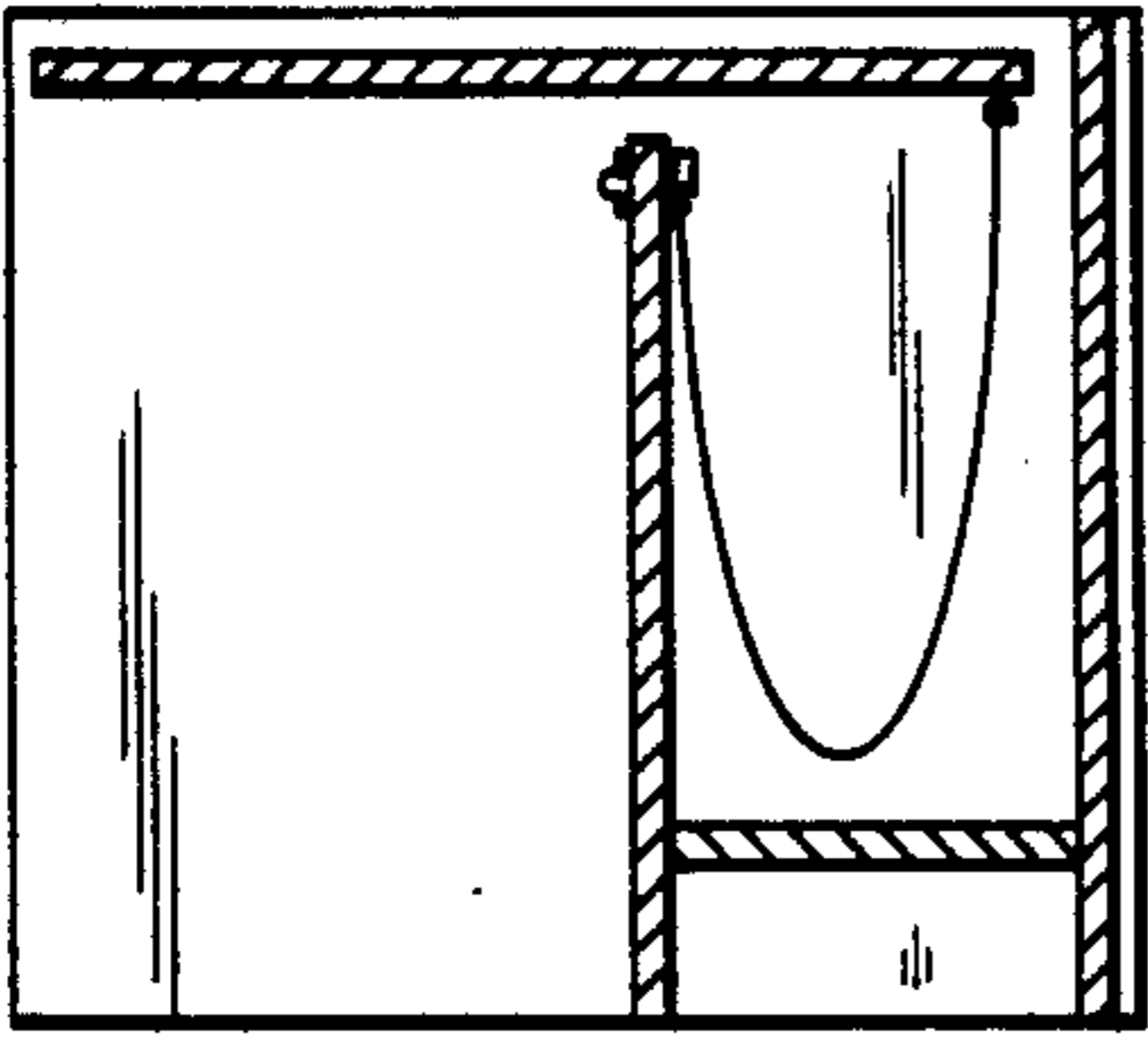


FIG. 4

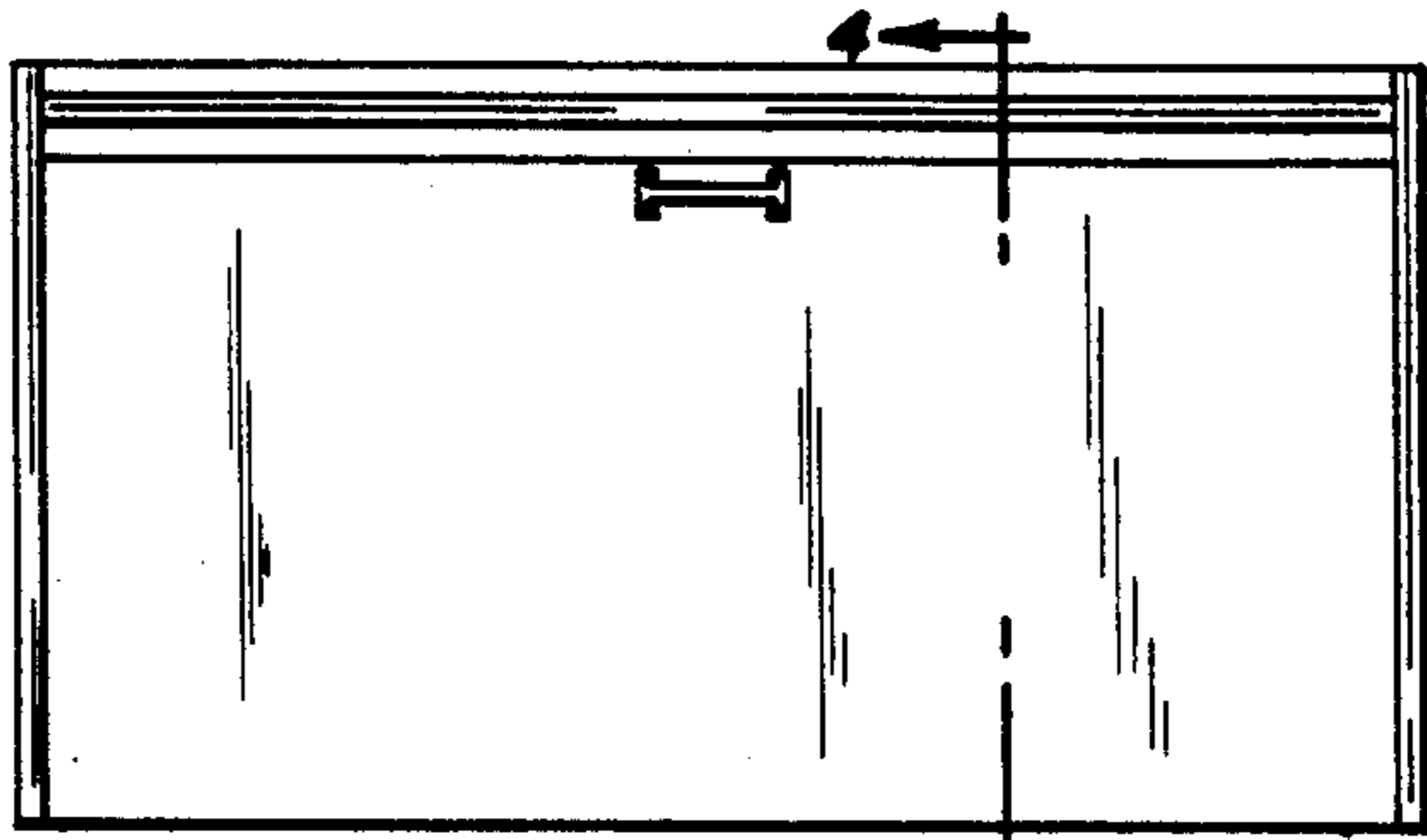


FIG. 3

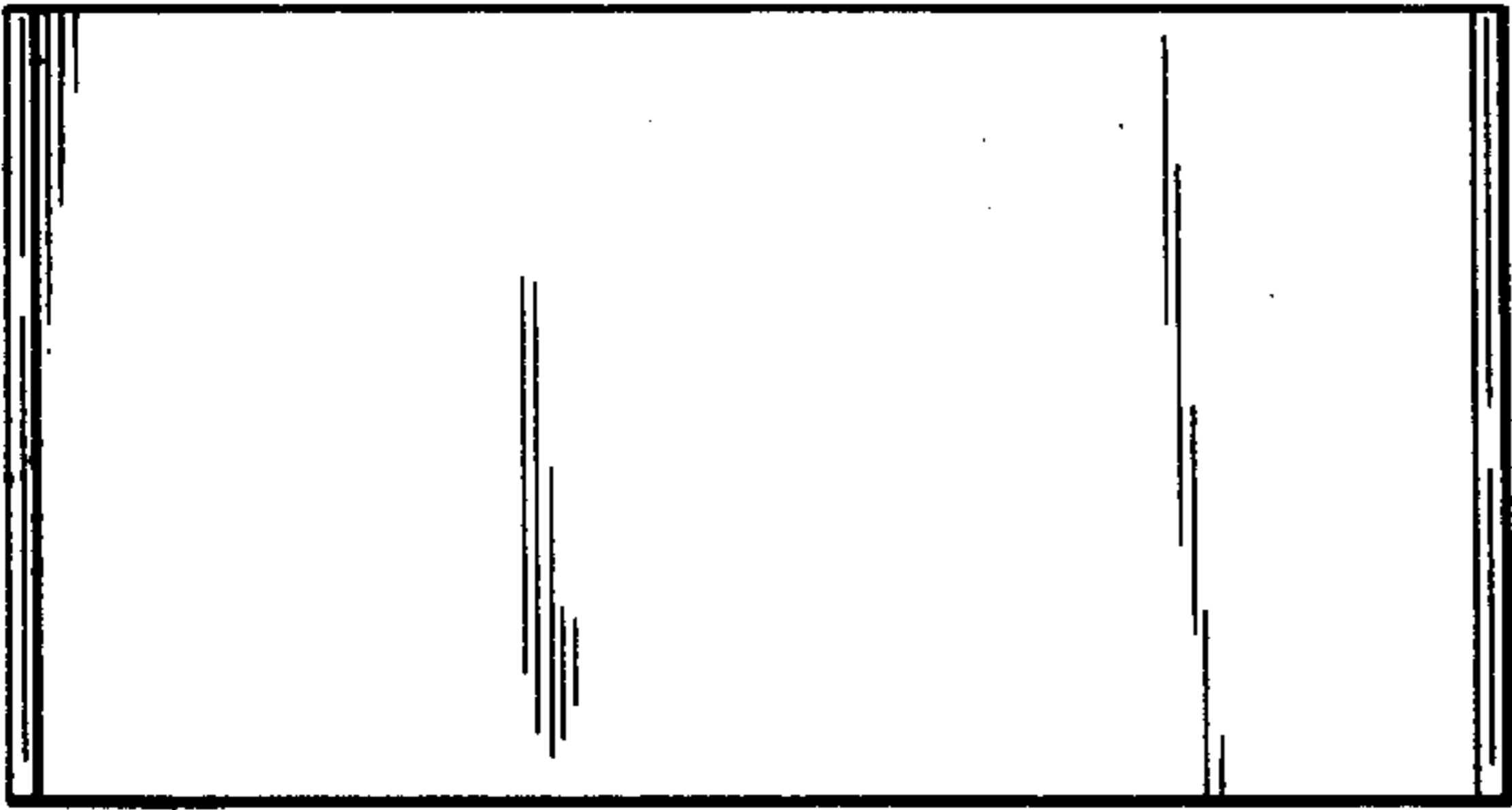


FIG. 5

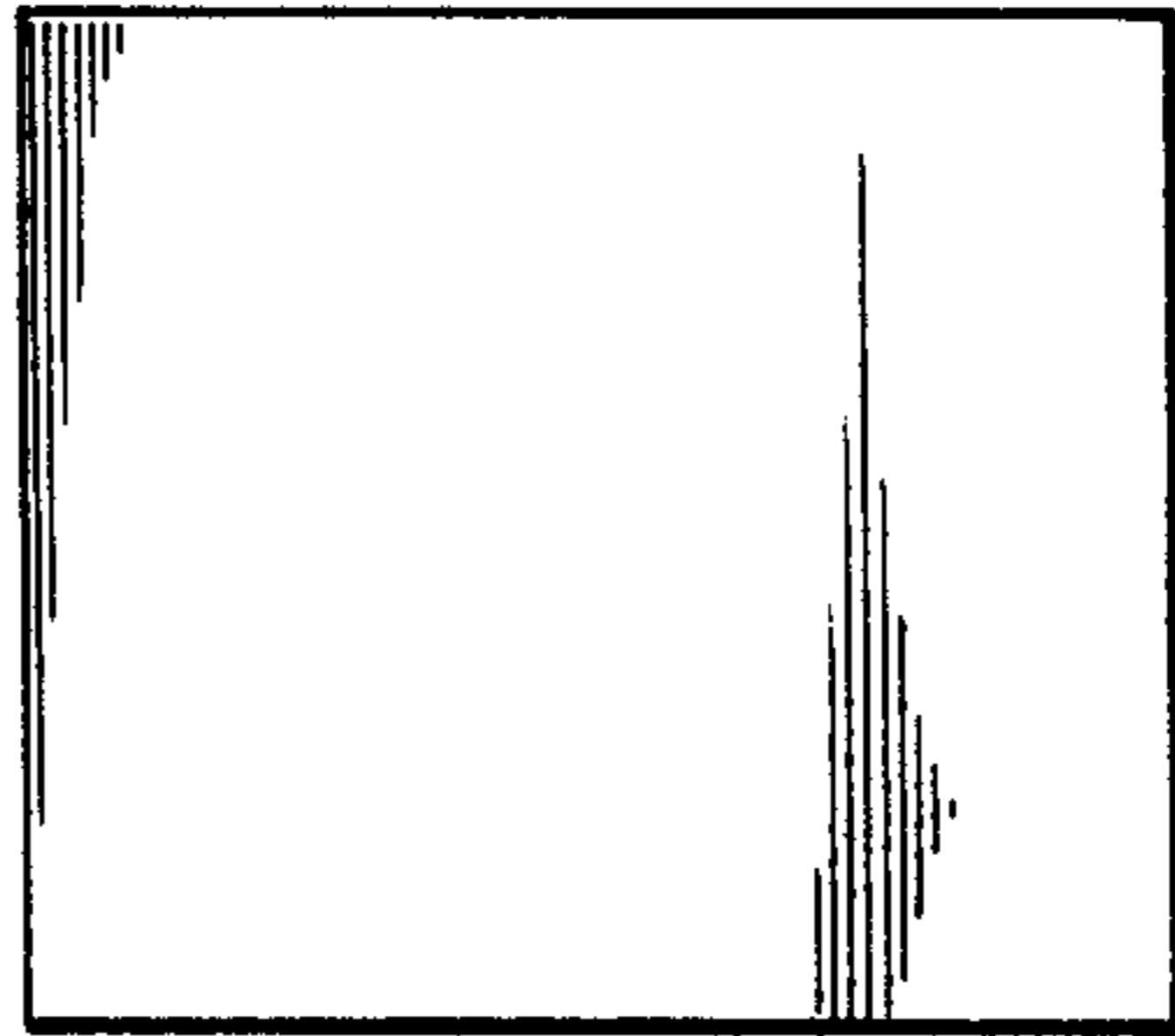


FIG. 6

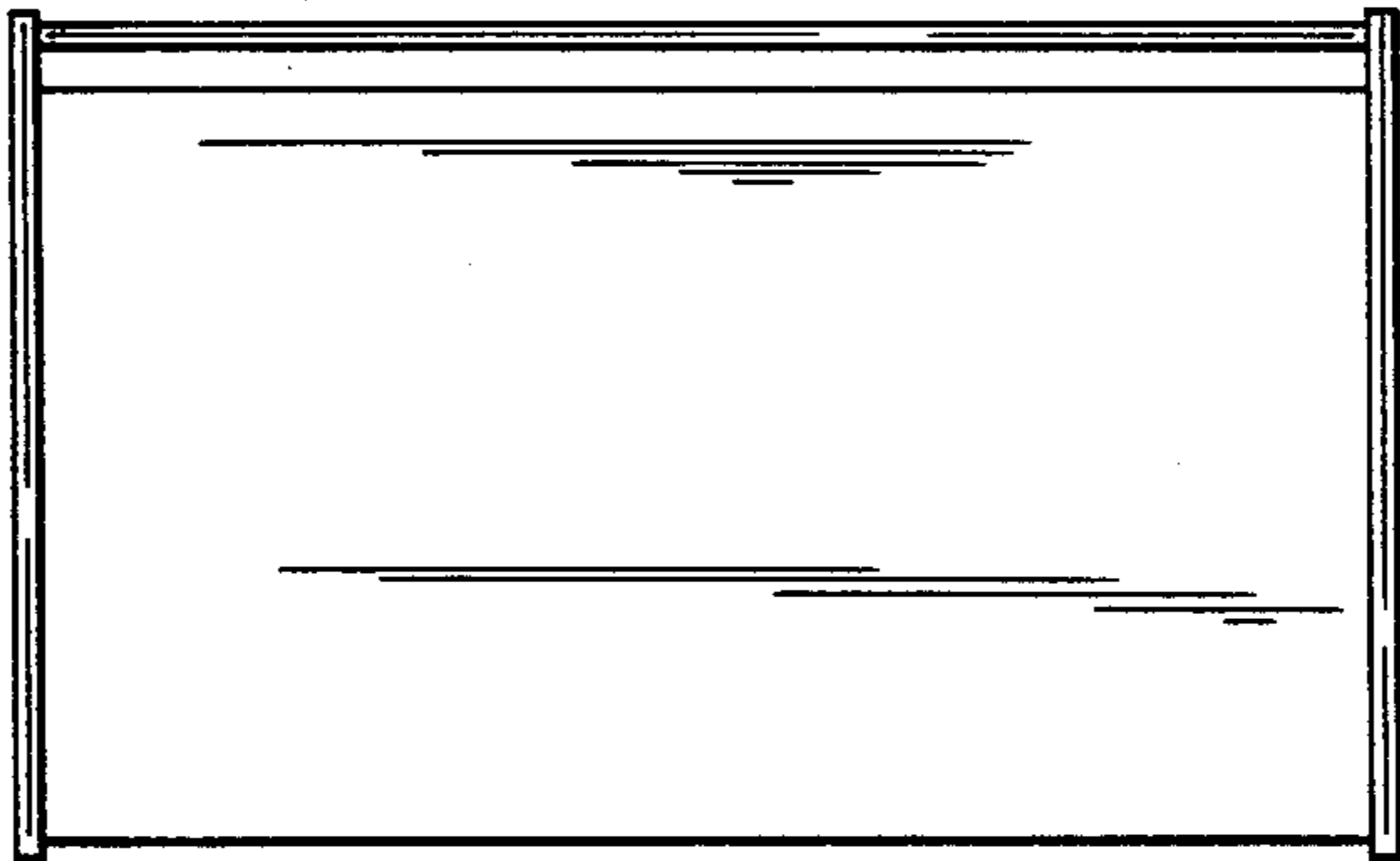


FIG. 7

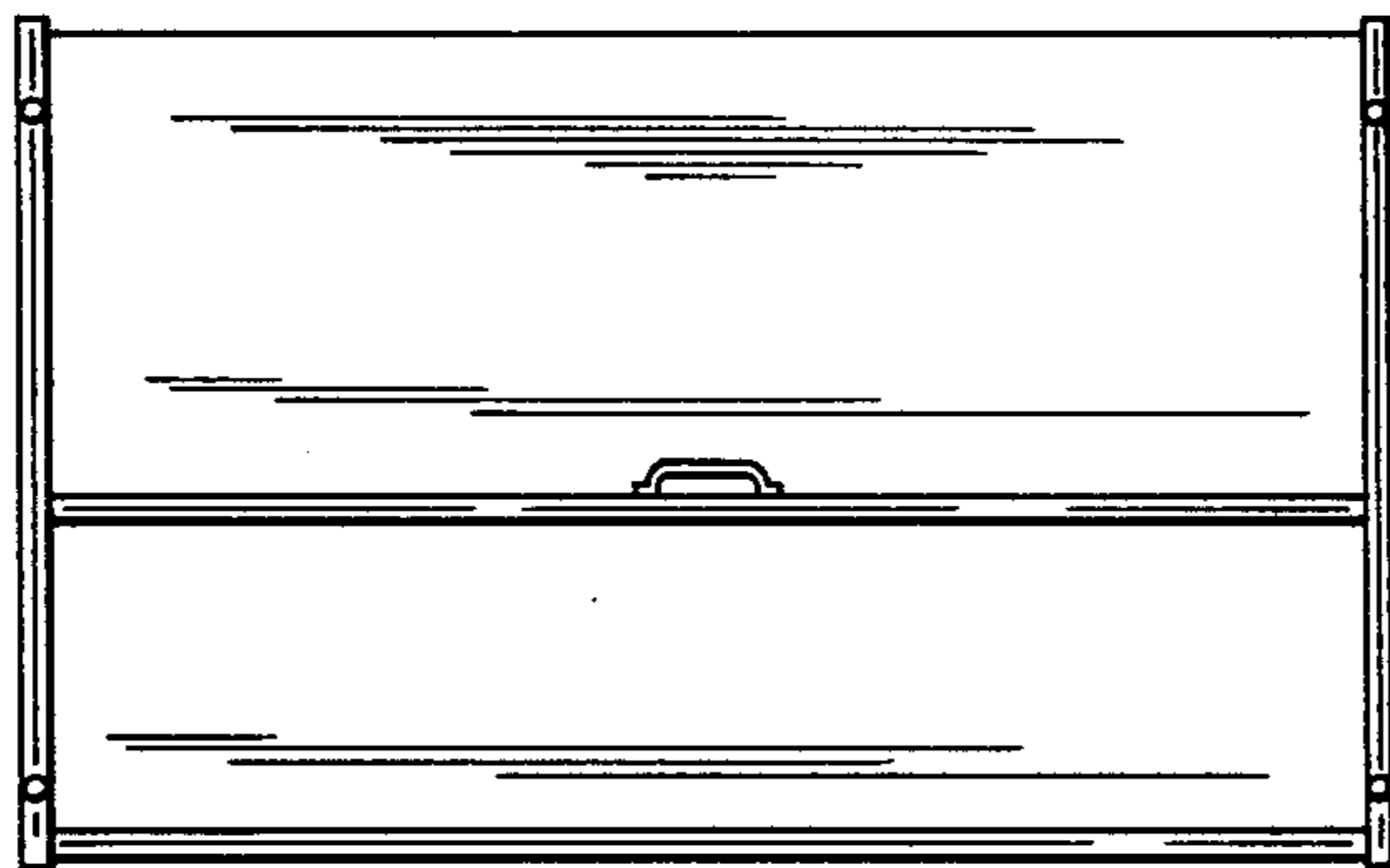


FIG. 8