

[54] CHRISTMAS TREE STAND

[76] Inventor: Theodore L. Wasserman, 21A
Cypress St., Brookline, Mass. 02139

[**] Term: 14 Years

[21] Appl. No.: 936,244

[22] Filed: Aug. 24, 1978

[51] Int. Cl. D6-99
[52] U.S. Cl. D6/105
[58] Field of Search 248/519, 523; D6/105;
47/40.5

[56]

References Cited

U.S. PATENT DOCUMENTS

3,353,773 11/1967 Budd 47/40.5
4,190,983 3/1980 Rostomily 248/523

Primary Examiner—Sam Rosen
Attorney, Agent, or Firm—Stanley Sacks

[57]

CLAIM

The ornamental design for a christmas tree stand, as shown and described.

DESCRIPTION

FIG. 1 is a perspective view of the christmas tree stand showing my new design; FIG. 2 is a side elevation view thereof; FIG. 3 is a top plan view thereof; and FIG. 4 is a bottom plan view thereof.

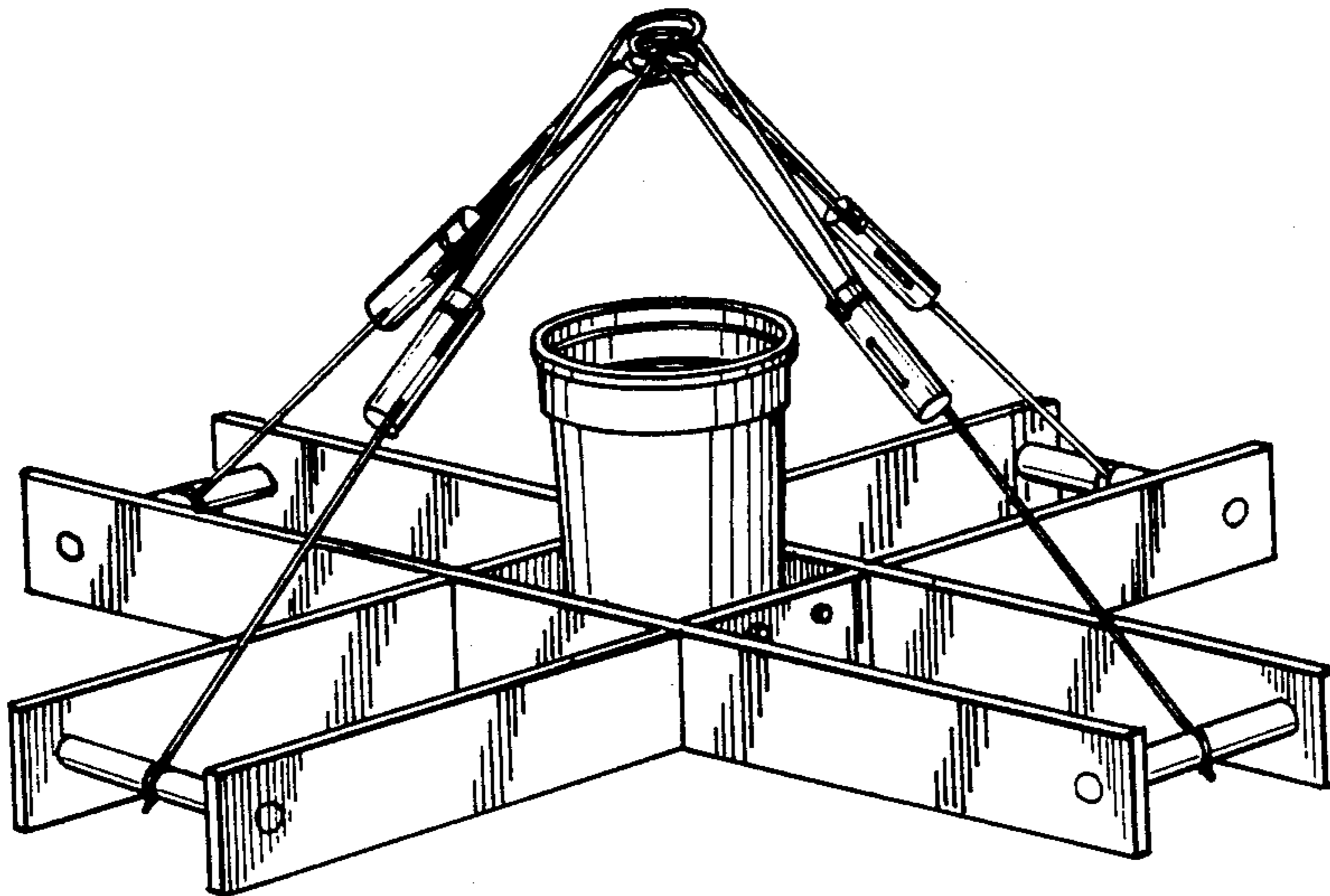


Fig. 1

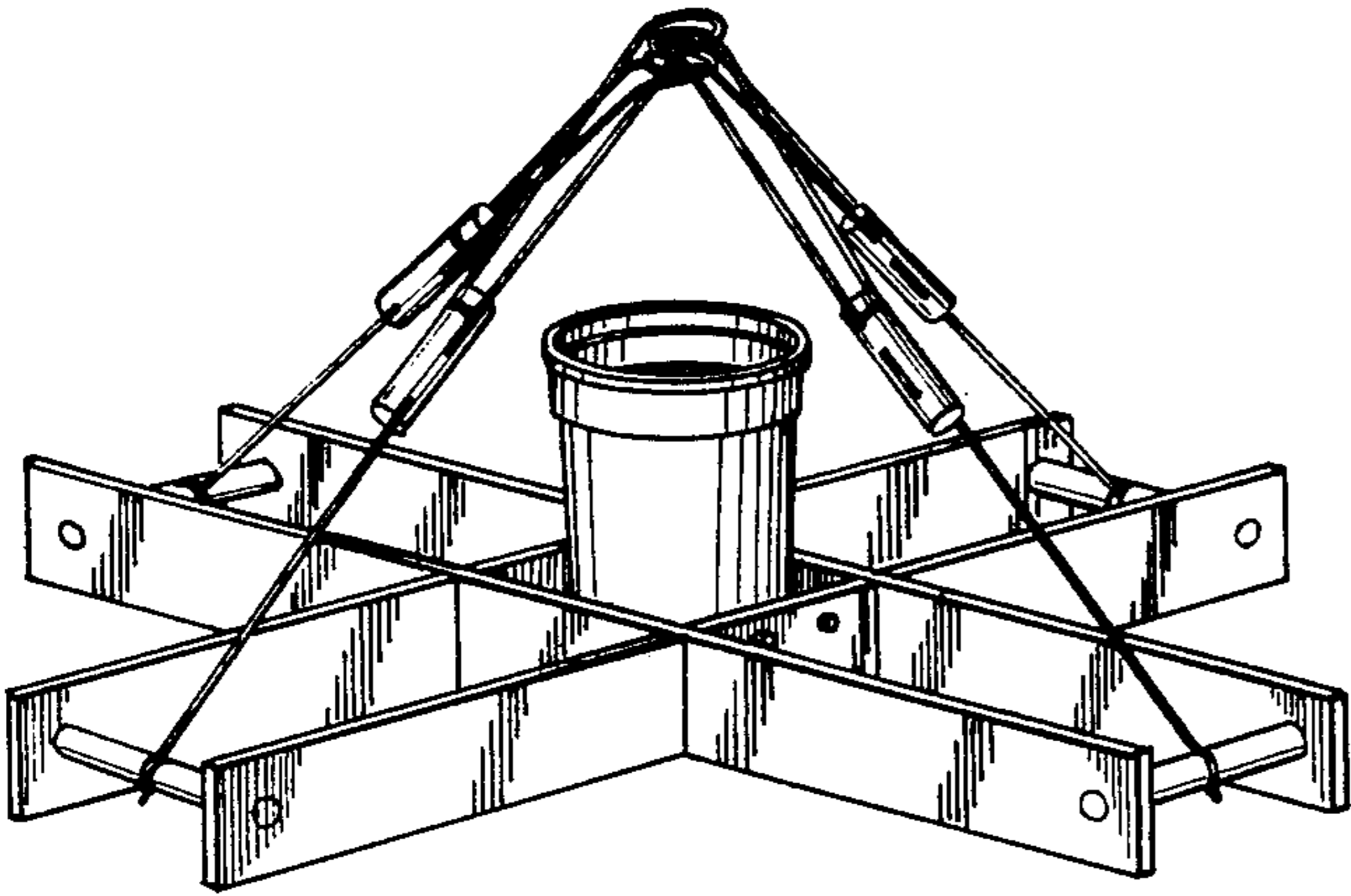


Fig. 2

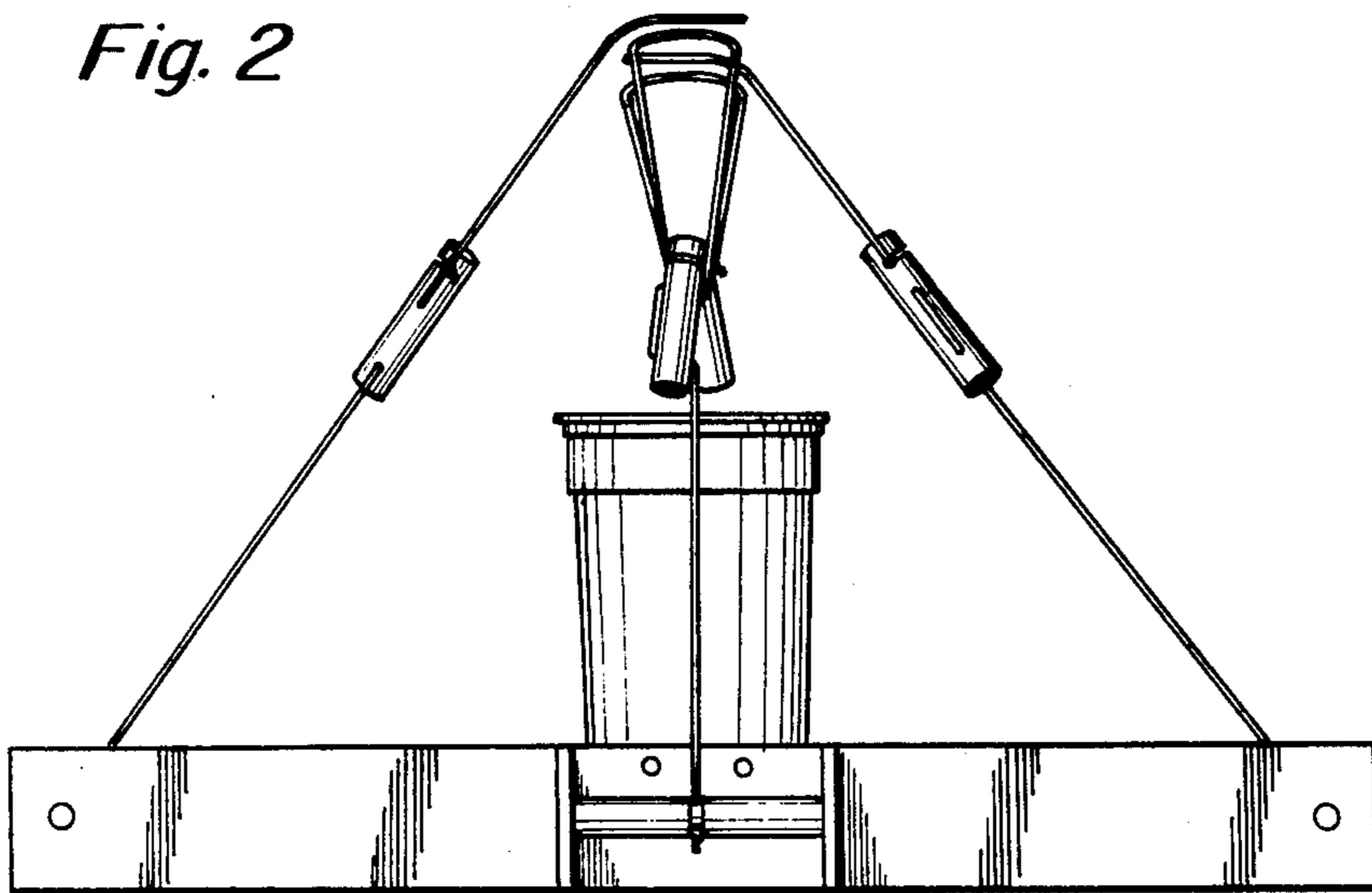


Fig. 3

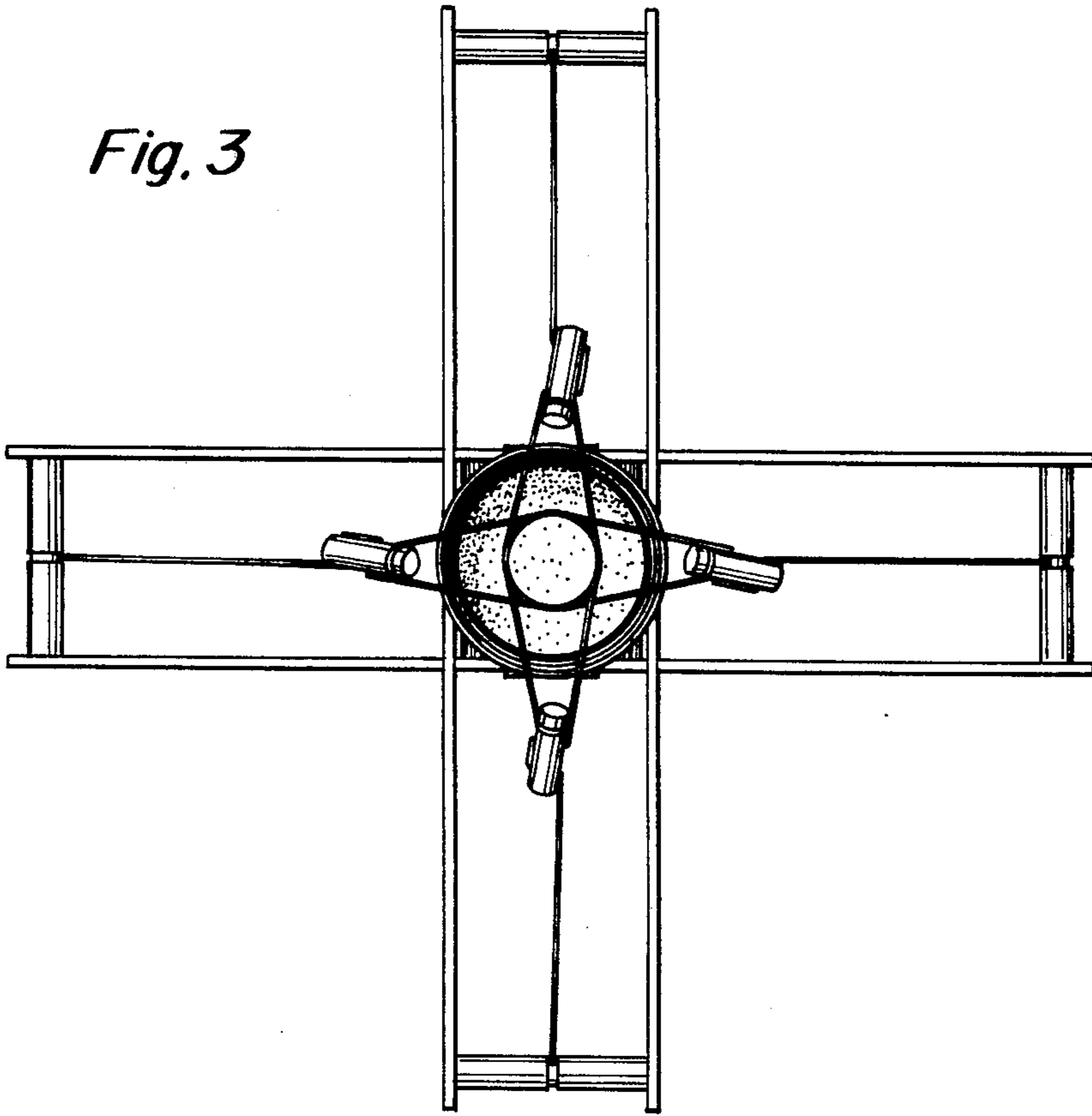


Fig. 4

