

[54] INFANT CARRIER

[76] Inventor: Francis R. Gauthier, 2281 Windsor Ct., Camarillo, Calif. 93010

[**] Term: 14 Years

[21] Appl. No.: 65,352

[22] Filed: Aug. 9, 1979

[51] Int. Cl. D3—99

[52] U.S. Cl. D3/31; D3/78

[58] Field of Search D3/30, 31, 42, 52, 79; 190/48; 224/137, 158; 150/7, 52 R

[56] References Cited

U.S. PATENT DOCUMENTS

- D. 143,282 12/1945 De Pirro D3/31
- D. 144,040 3/1946 De Pirro D3/31

- 3,340,969 9/1967 Rothberg 190/48
- 4,068,786 1/1978 Taniguchi D3/31

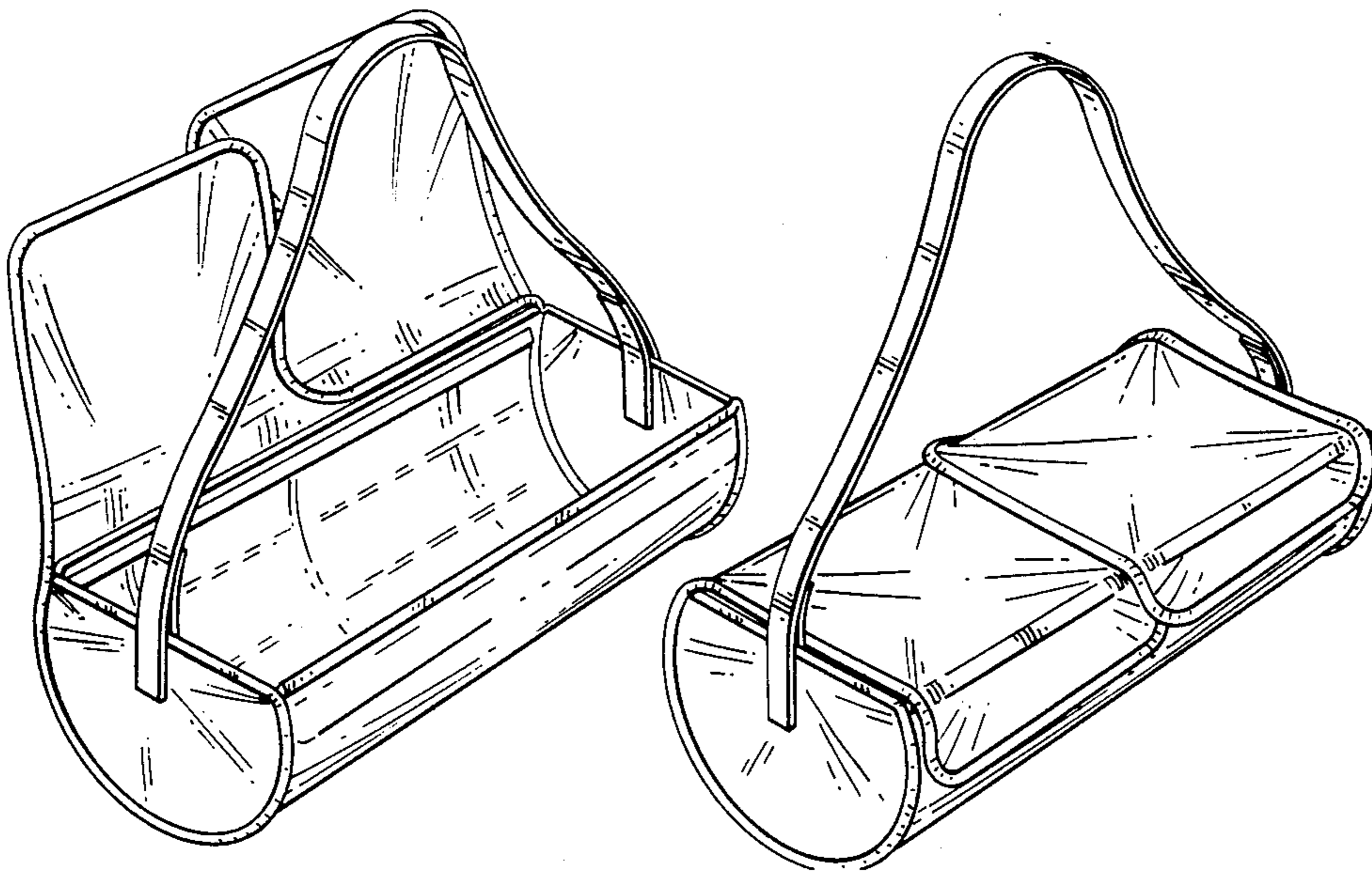
Primary Examiner—George P. Word
Attorney, Agent, or Firm—Kenneth J. Hovet

[57] CLAIM

The ornamental design for an infant carrier, substantially as shown and described.

DESCRIPTION

FIG. 1 is a perspective view of an infant carrier showing my new design with cover flaps open;
 FIG. 2 is a perspective view of the infant carrier of FIG. 1 with cover flaps closed;
 FIG. 3 is a right end elevational view thereof;
 FIG. 4 is a rear elevational view thereof.
 FIG. 5 is a bottom plan view; and,
 FIG. 6 is a top plan view.



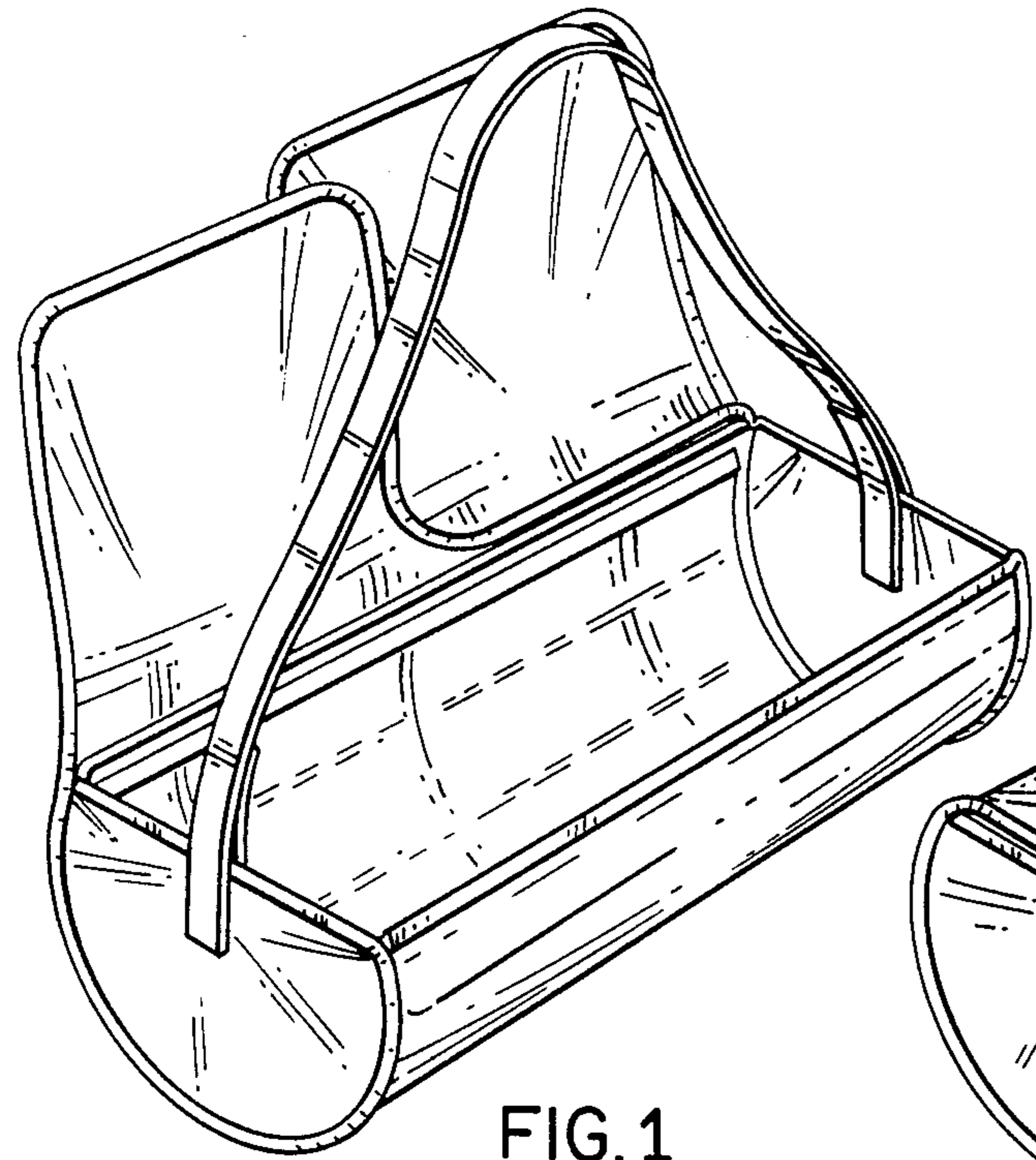


FIG. 1

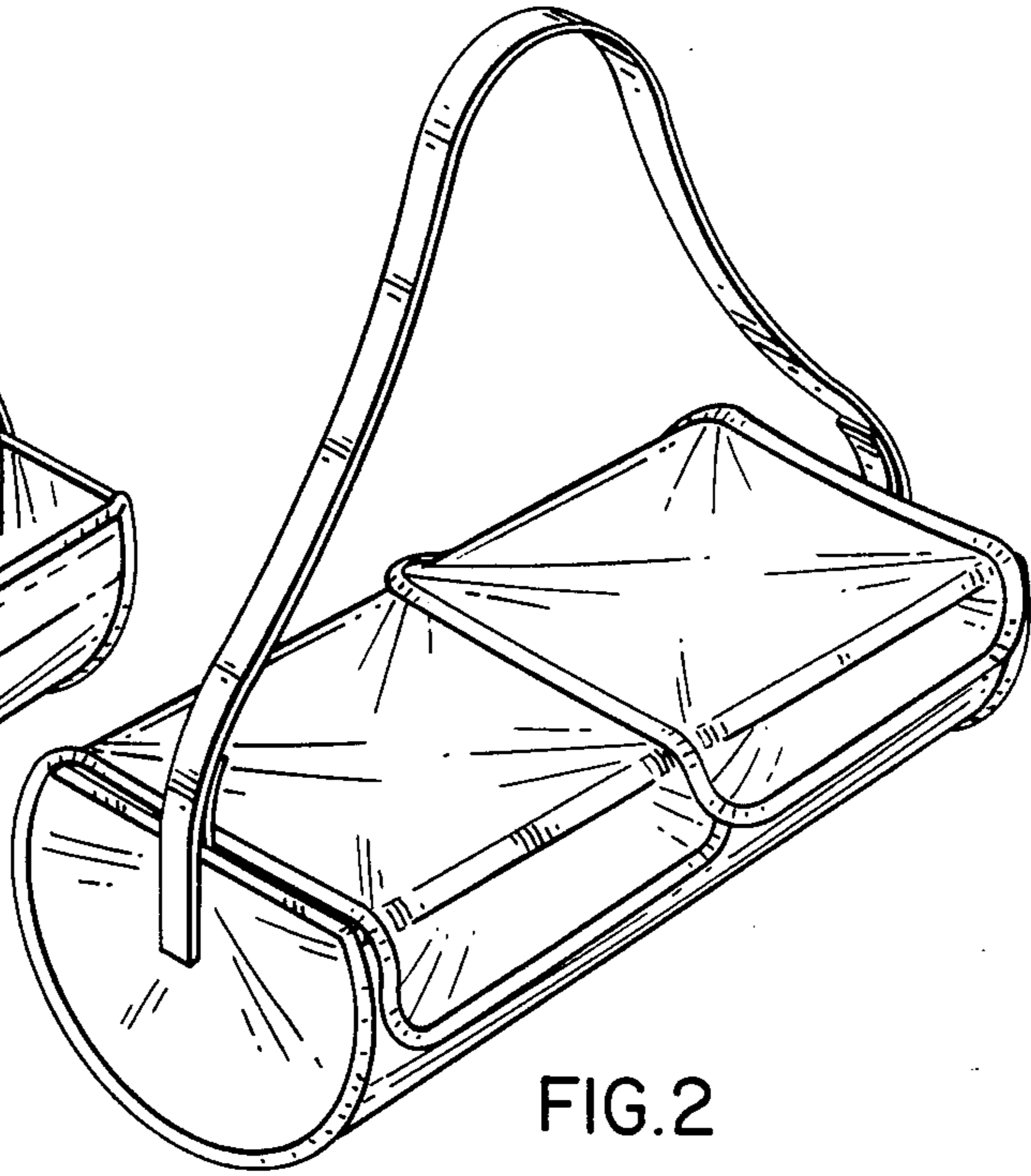


FIG. 2

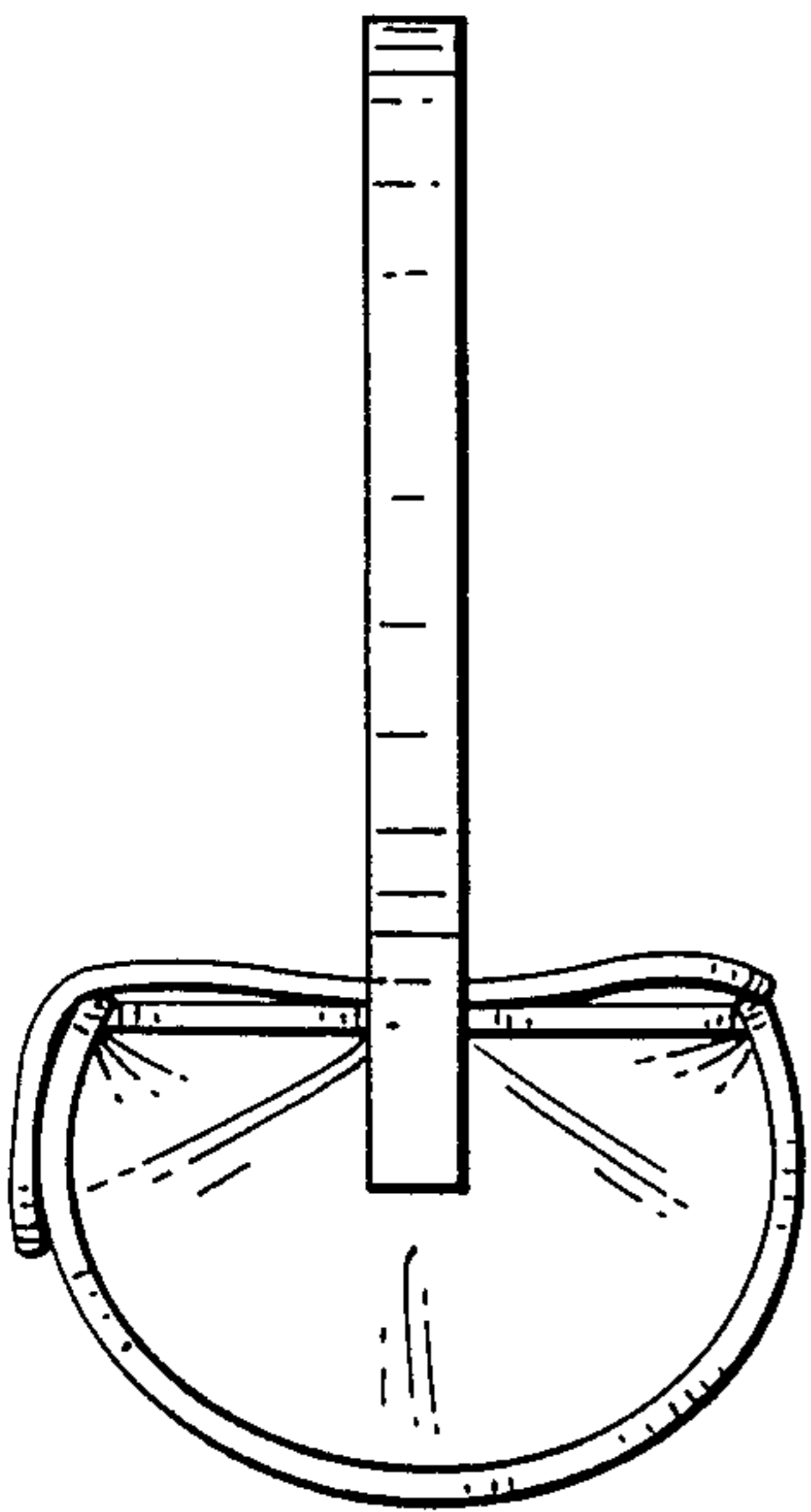


FIG. 3

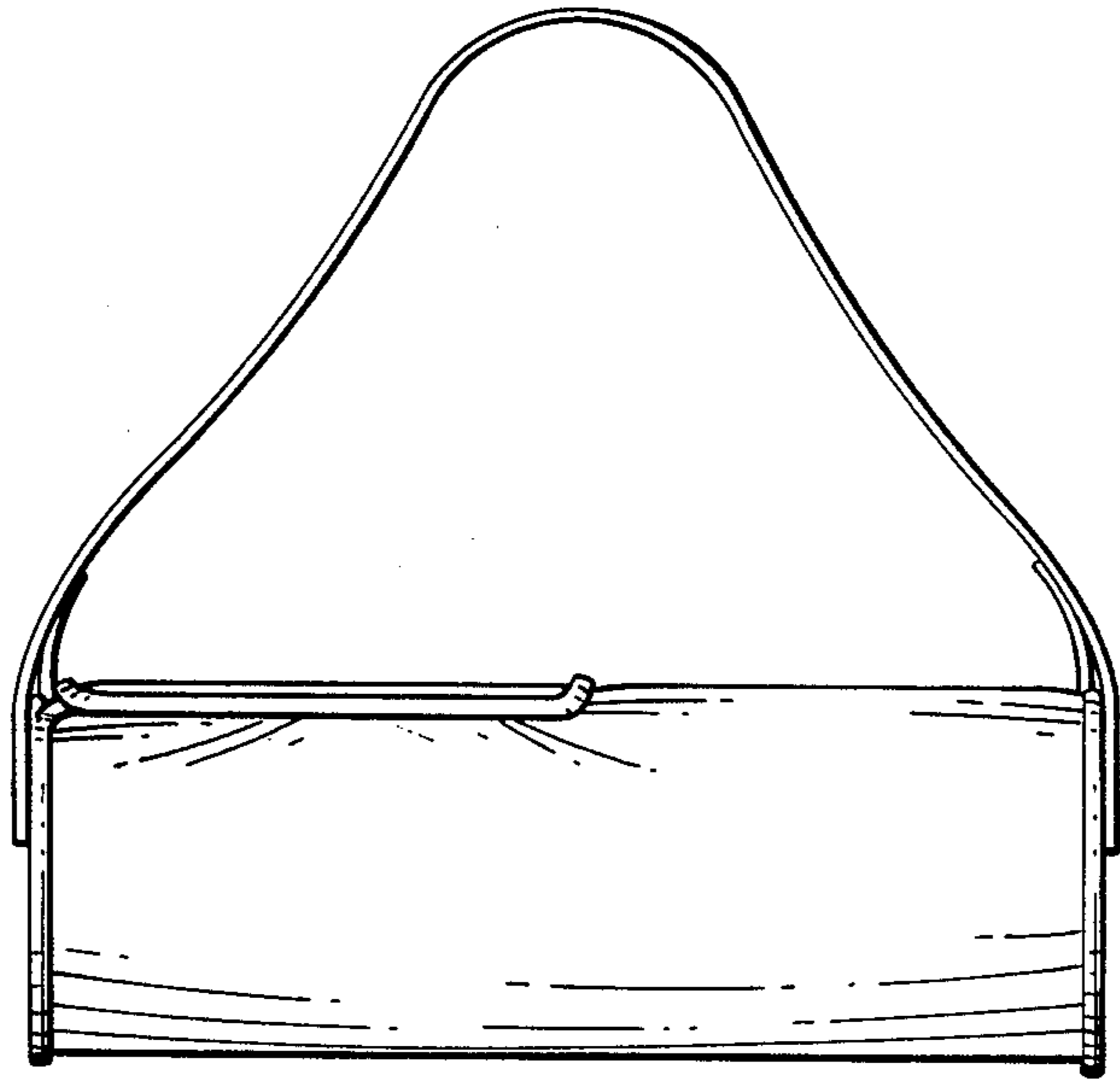


FIG. 4

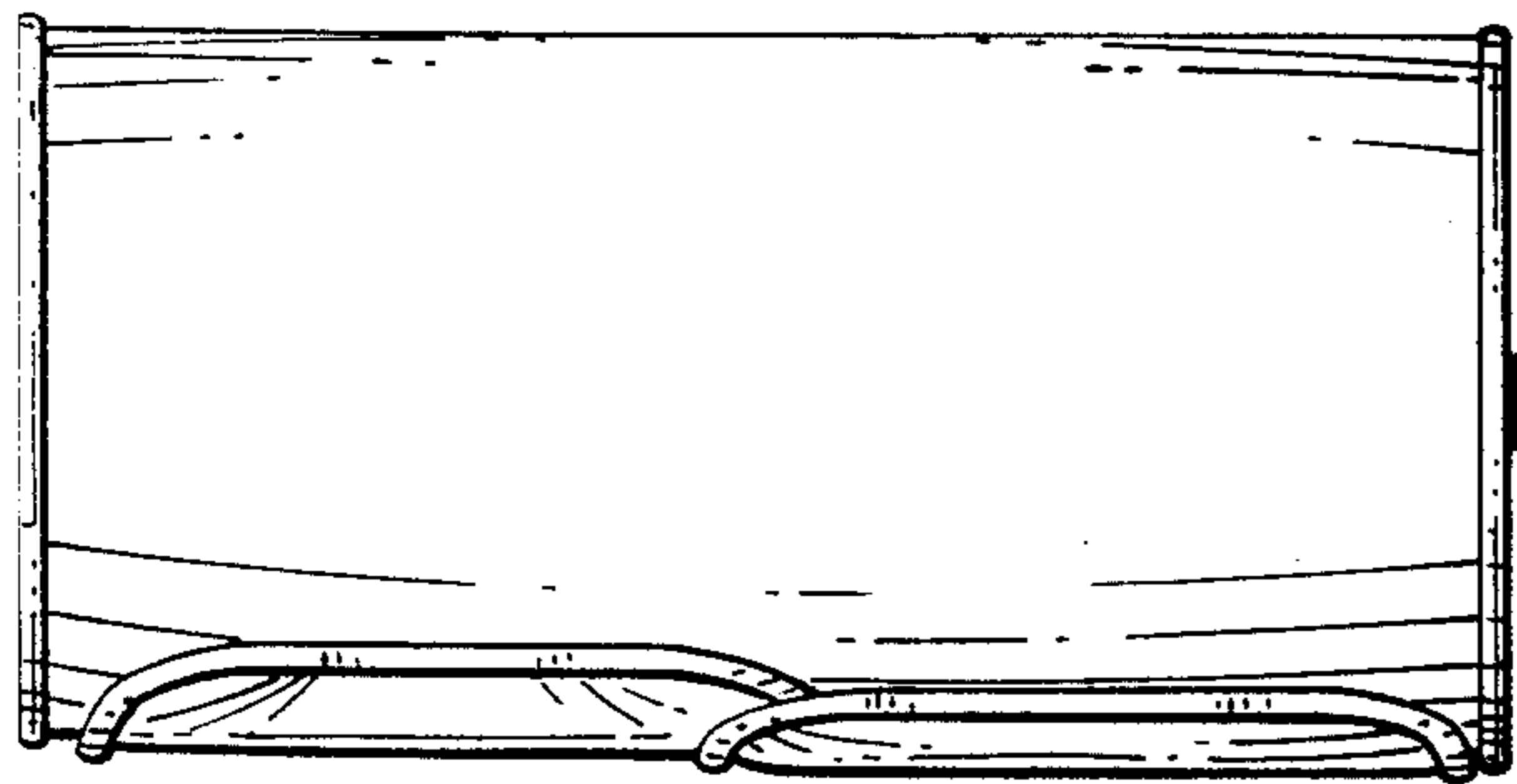


FIG. 5

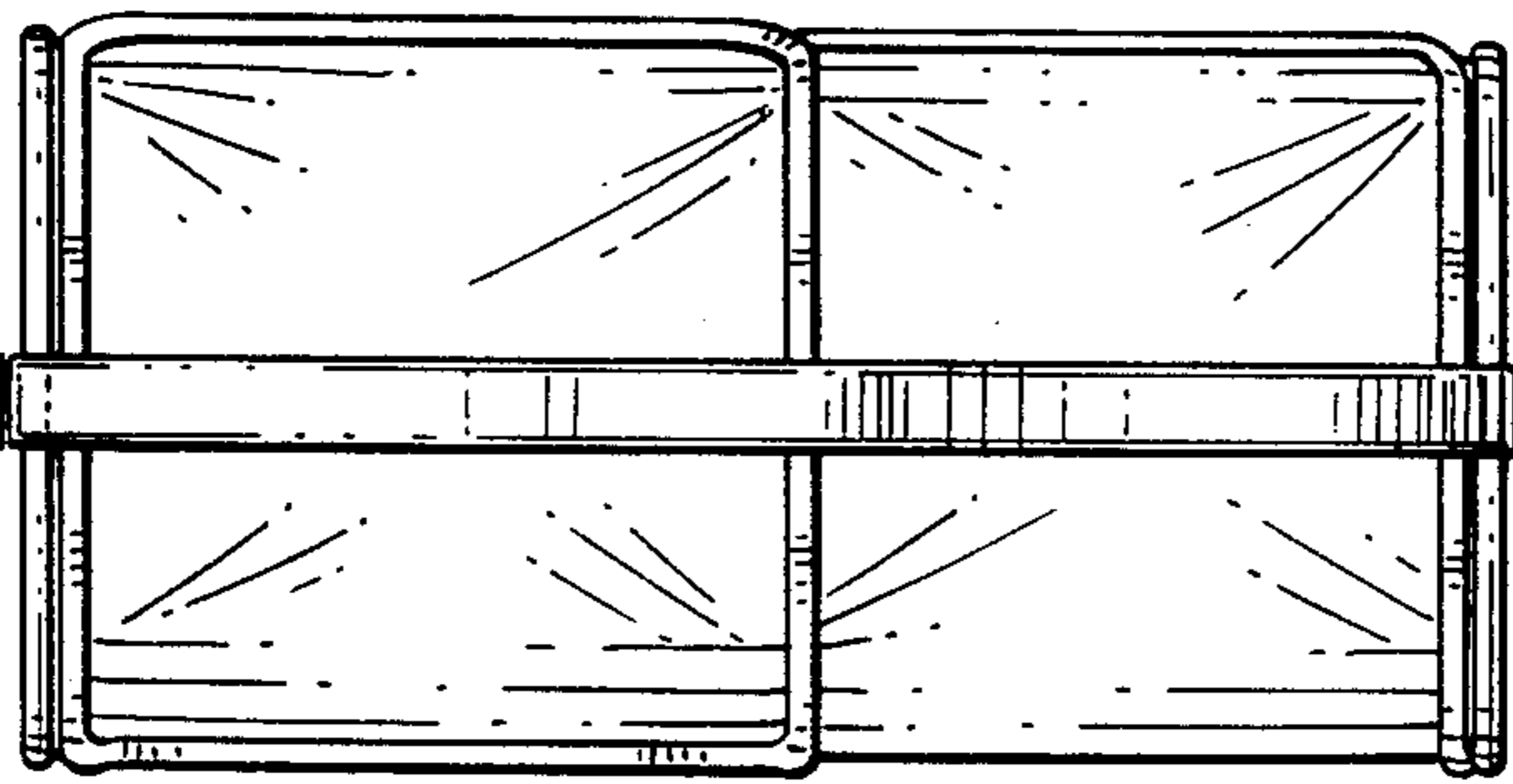


FIG. 6