

[54] TRAY FOR HAIRSETTER KIT

[75] Inventors: Lynda Haran, New York; Cynthia Travers, Briarcliff Manor, both of N.Y.

[73] Assignee: Clairol Incorporated, New York, N.Y.

[**] Term: 14 Years

[21] Appl. No.: 40,837

[22] Filed: May 21, 1979

[51] Int. Cl. D28-03

[52] U.S. Cl. D28/9

[58] Field of Search D28/4, 9, 61, 73, 76, D28/77, 85, 86, 99; D24/31, 32; D9/184, 185, 187-189; D7/37, 38; 132/1 R, 79 R; 206/557, 558, 562-564

[56] References Cited

U.S. PATENT DOCUMENTS

| | | | |
|------------|---------|------------------------|--------|
| D. 149,105 | 3/1948 | Barnett | D28/73 |
| D. 233,486 | 10/1974 | Gonzalez | D28/9 |
| D. 237,317 | 10/1975 | Nowakowski et al. | D24/31 |
| D. 242,654 | 12/1976 | Rawls | D24/31 |

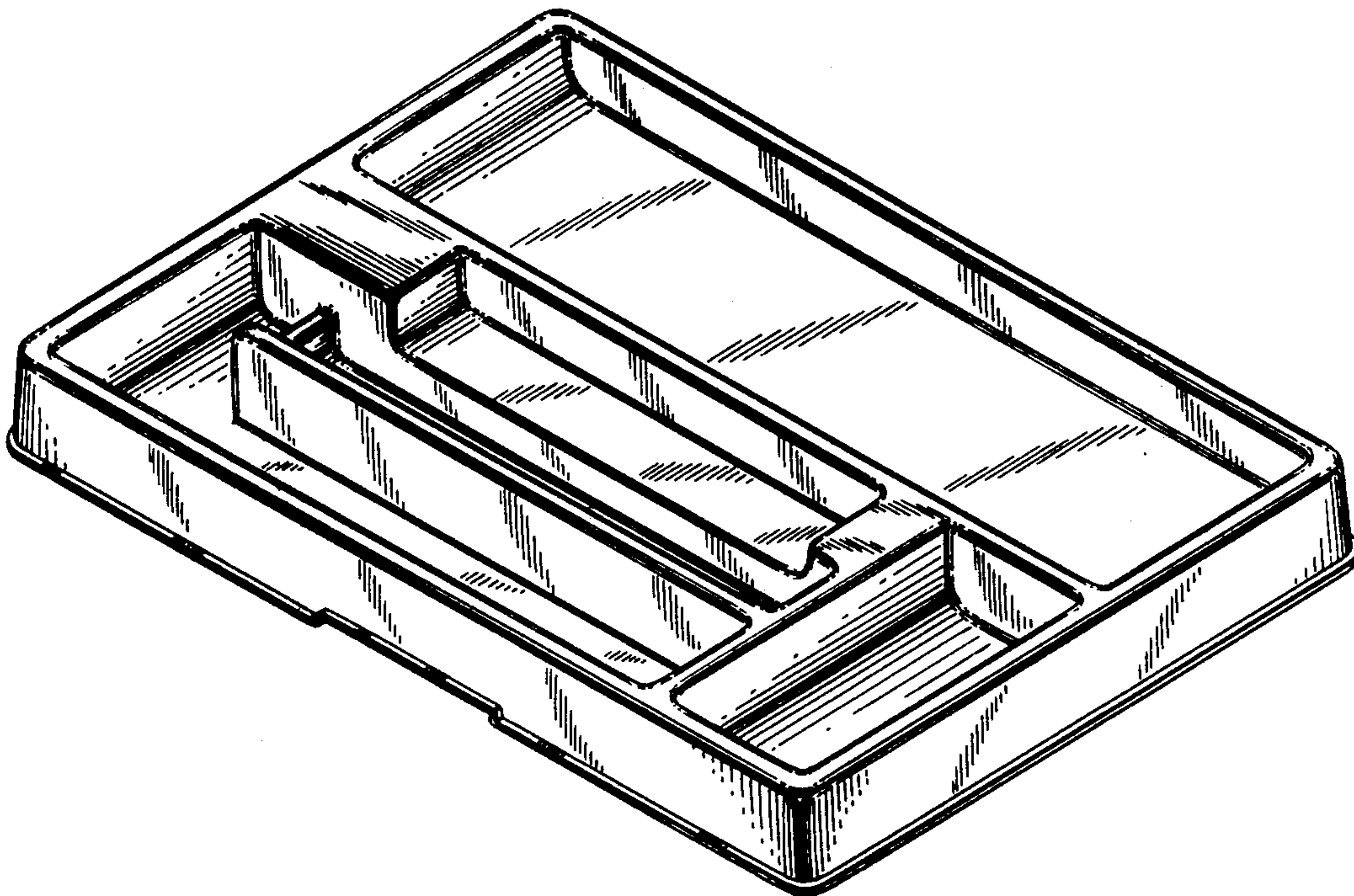
Primary Examiner—Louis S. Zarfaz
Attorney, Agent, or Firm—Gerald S. Rosen; George A. Mentis

[57] CLAIM

The ornamental design for a tray for hairsetter kit, as shown and described.

DESCRIPTION

FIG. 1 is a top perspective view of a tray for hairsetter kit showing our new design;
FIG. 2 is a side elevational view thereof;
FIG. 3 is a top plan view thereof;
FIG. 4 is a front elevational view thereof;
FIG. 5 is a rear elevational view thereof; and
FIG. 6 is a bottom plan view thereof.



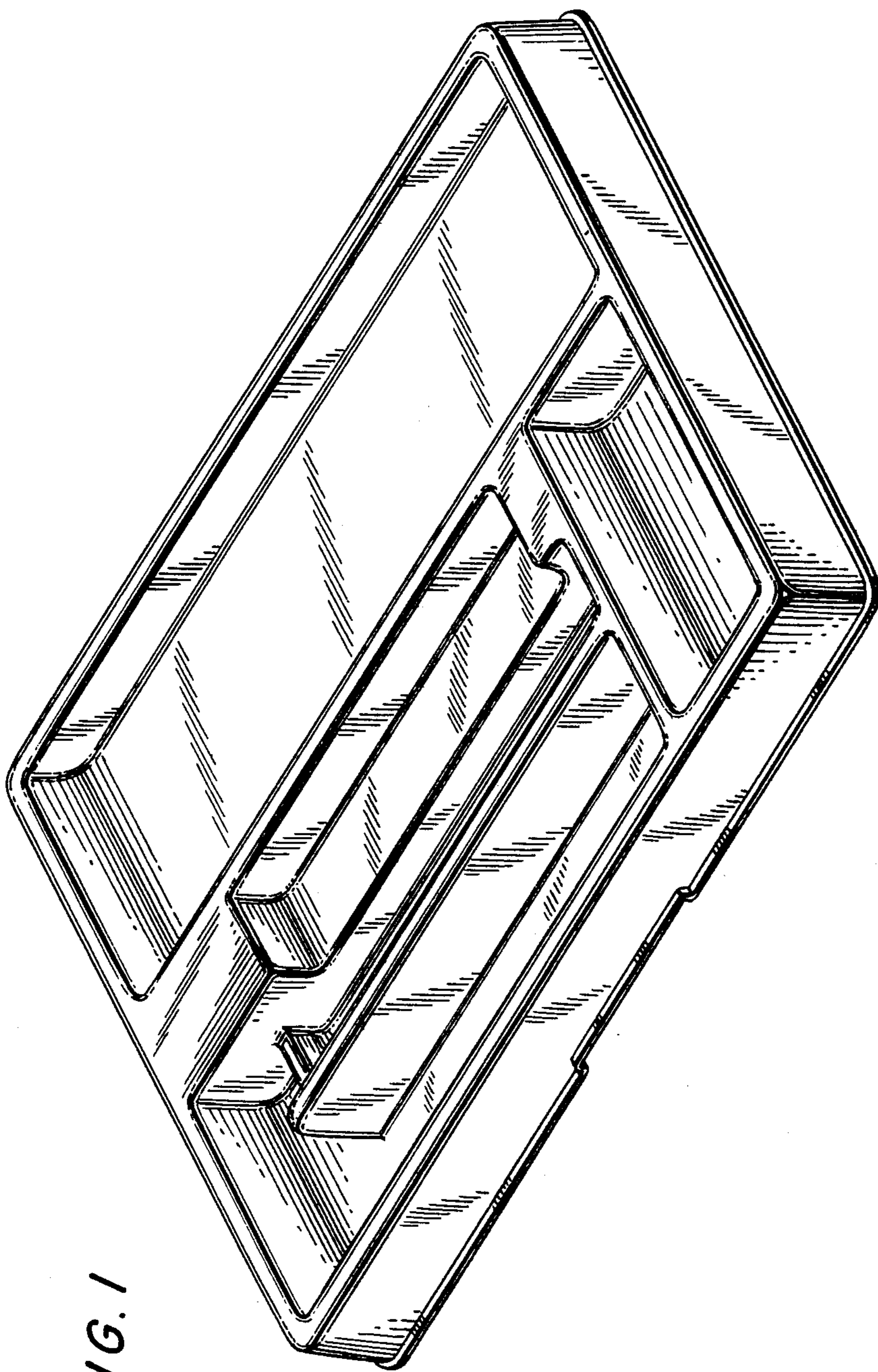


FIG. 1

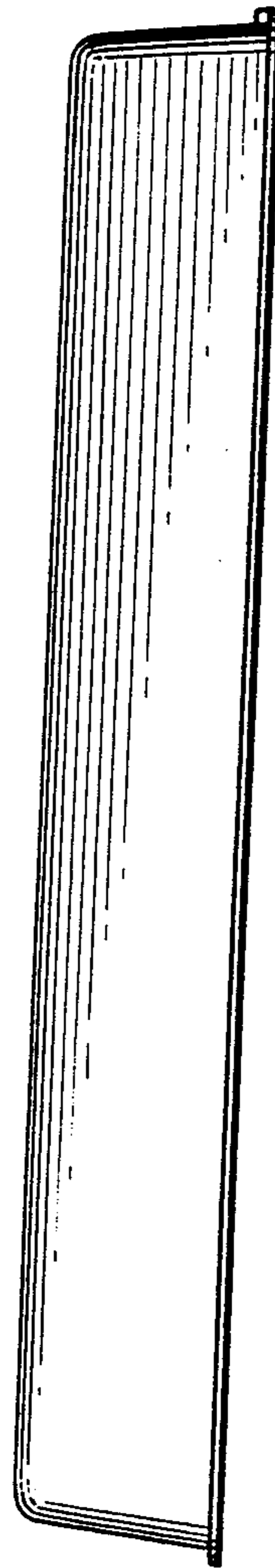


FIG. 2

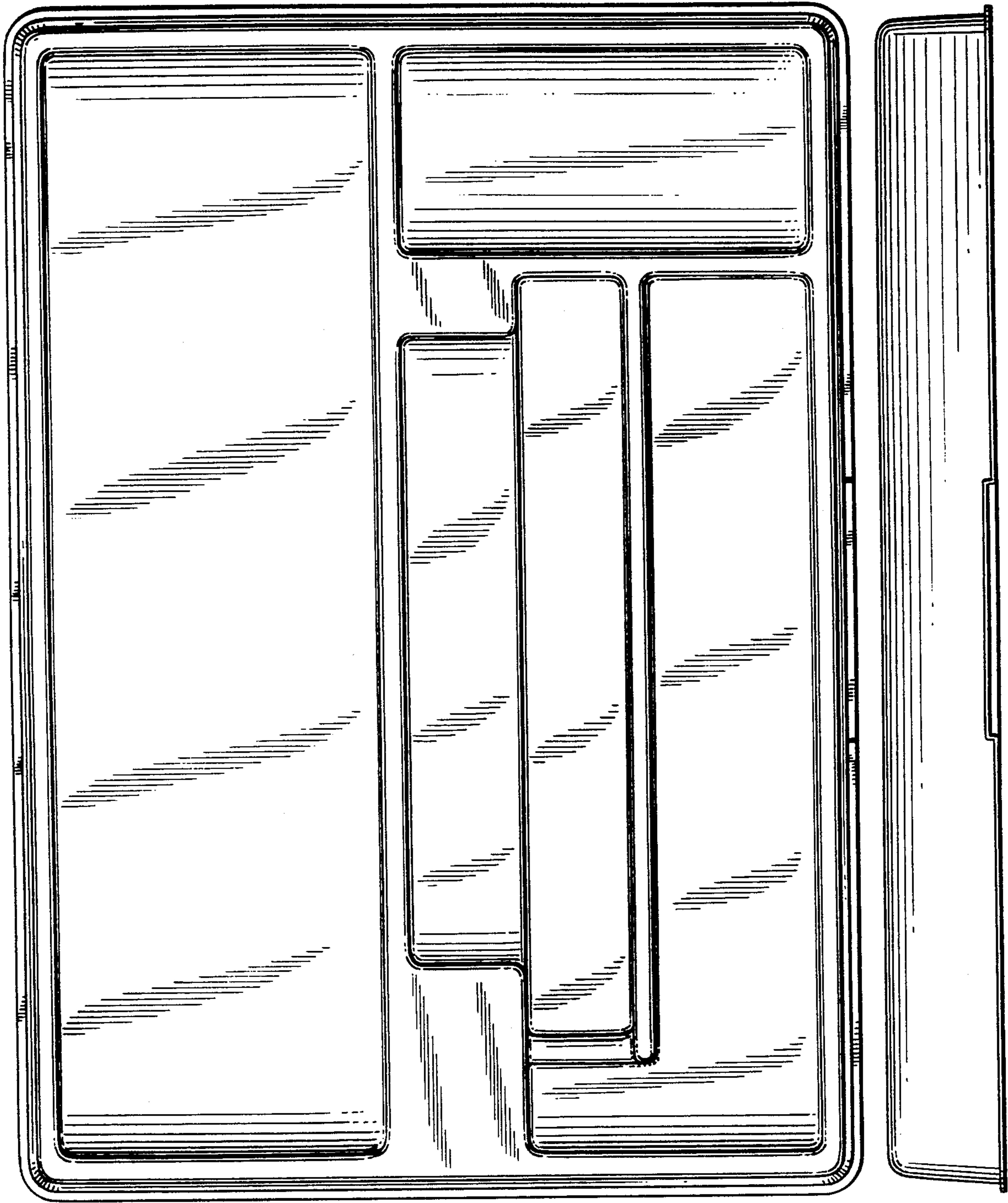


FIG. 3

FIG. 4

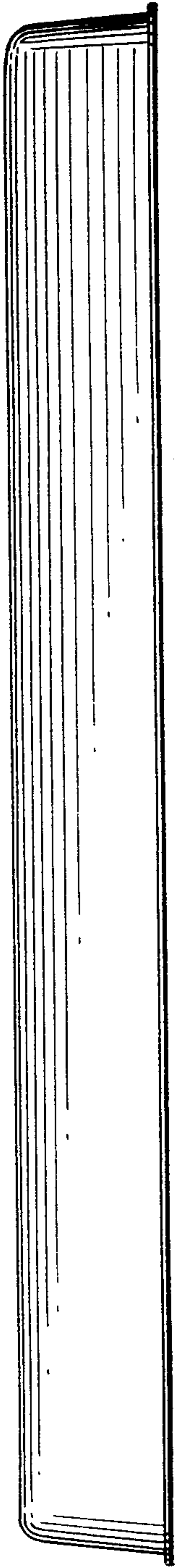


FIG. 5

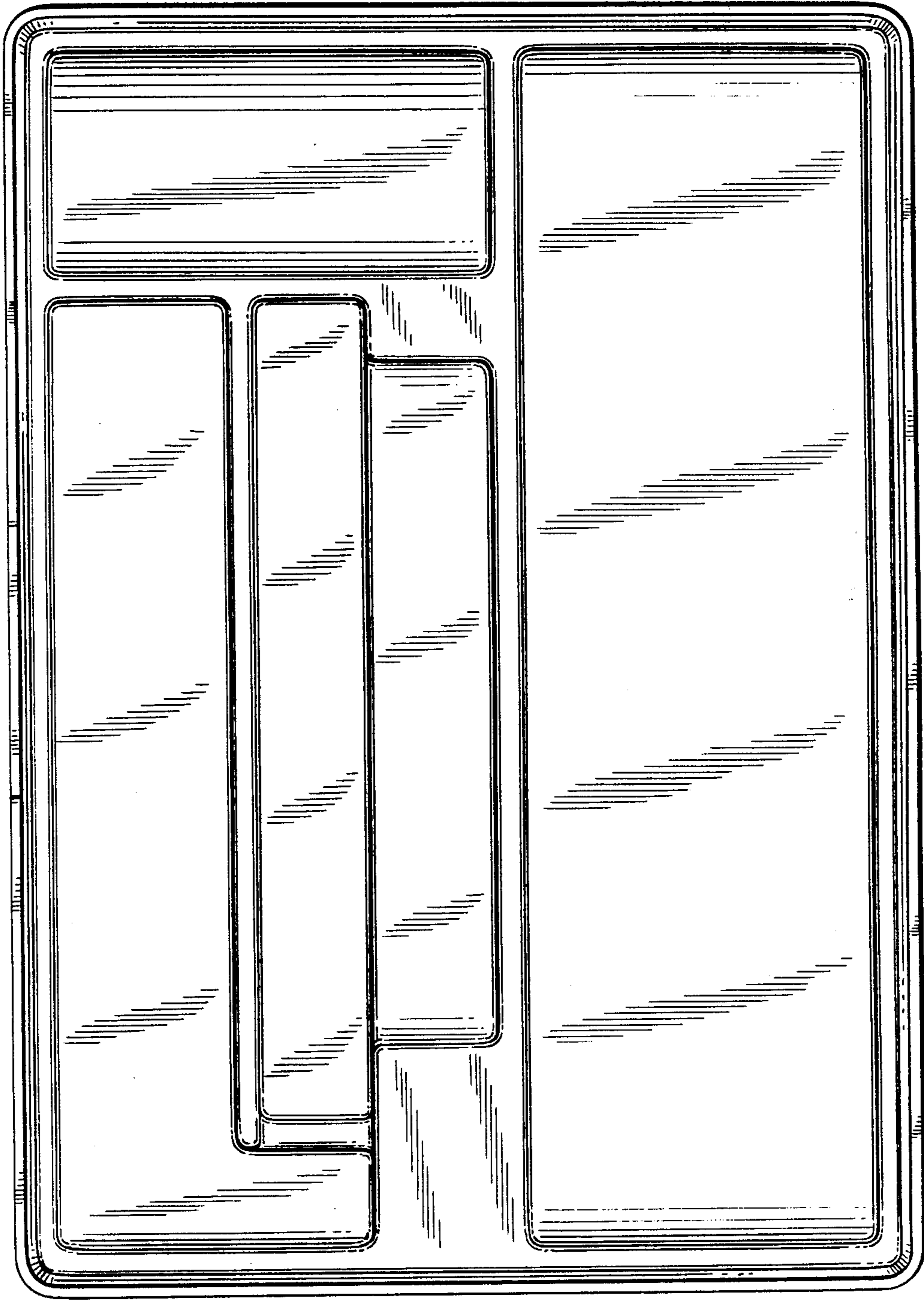


FIG. 6