

[54] **STORM WINDOW MOLDING**

[76] **Inventor:** Stanley Gold, 44 W. Lake Blvd., Mahopac, N.Y. 10541

[**] **Term:** 14 Years

[21] **Appl. No.:** 116,238

[22] **Filed:** Jan. 28, 1980

[51] **Int. Cl.** D25-01

[52] **U.S. Cl.** D25/74; D25/52

[58] **Field of Search** 52/202, 203, 475, 476, 52/716, 717, 718, 732, 720, 397; D25/52, 73, 74, 75, 76, 77, 78, 79

3,971,178	7/1976	Mazzoni et al.	52/202 X
4,021,980	5/1977	Wilfong	52/202
4,068,428	1/1978	Peterson	52/202
4,069,641	1/1978	DeZutter	52/202
4,112,642	9/1978	D'Aragon	52/202
4,134,240	1/1979	Bologna et al.	52/202
4,160,348	7/1979	Chapman et al.	52/202
4,184,297	1/1980	Casamayor	52/202

Primary Examiner—A. Hugo Word
Attorney, Agent, or Firm—Michael E. Zall

[57] **CLAIM**

The ornamental design for the storm window molding, or similar article, substantially as shown and described.

DESCRIPTION

FIG. 1 is a perspective view of the storm window molding or similar article of this invention assembled to maintain a window of glass, plastic, etc. in proper position;

FIG. 2 is a perspective view of the glazing frame which mates with a tape frame to form the assembled molding; and

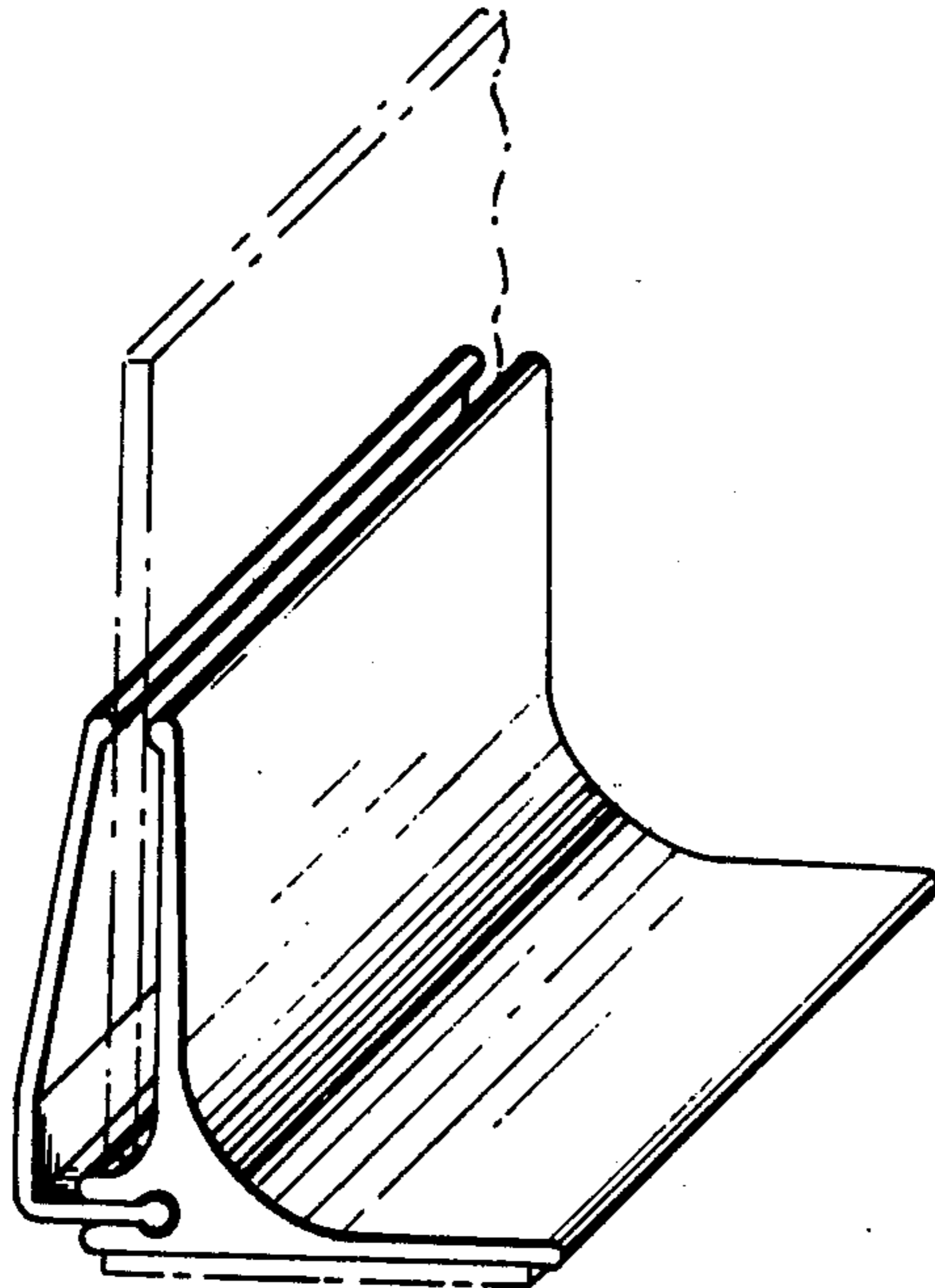
FIG. 3 is the tape frame, showing an adhesive strip tape on the bottom thereof, which mates with the glazing frame of FIG. 2.

The window and strip shown in broken lines in the drawing are disclosed for illustrative purposes only and form no part of the claimed design.

[56] **References Cited**

U.S. PATENT DOCUMENTS

D. 238,667	2/1976	Bero	D25/74
2,226,254	12/1940	Owen	52/202
2,780,846	2/1957	Lyon	52/202
3,214,879	11/1965	Ellingson, Jr. et al.	52/720
3,299,591	1/1967	Woelk	52/203
3,434,903	3/1969	Hann	52/202 X
3,455,080	7/1969	Meadows	52/476
3,824,753	7/1974	Anderson	52/203
3,872,804	3/1975	Yarnall	52/203 X
3,911,630	10/1975	Nally	52/202 X
3,939,620	2/1976	Bero	52/716
3,955,331	5/1976	Williams	52/397



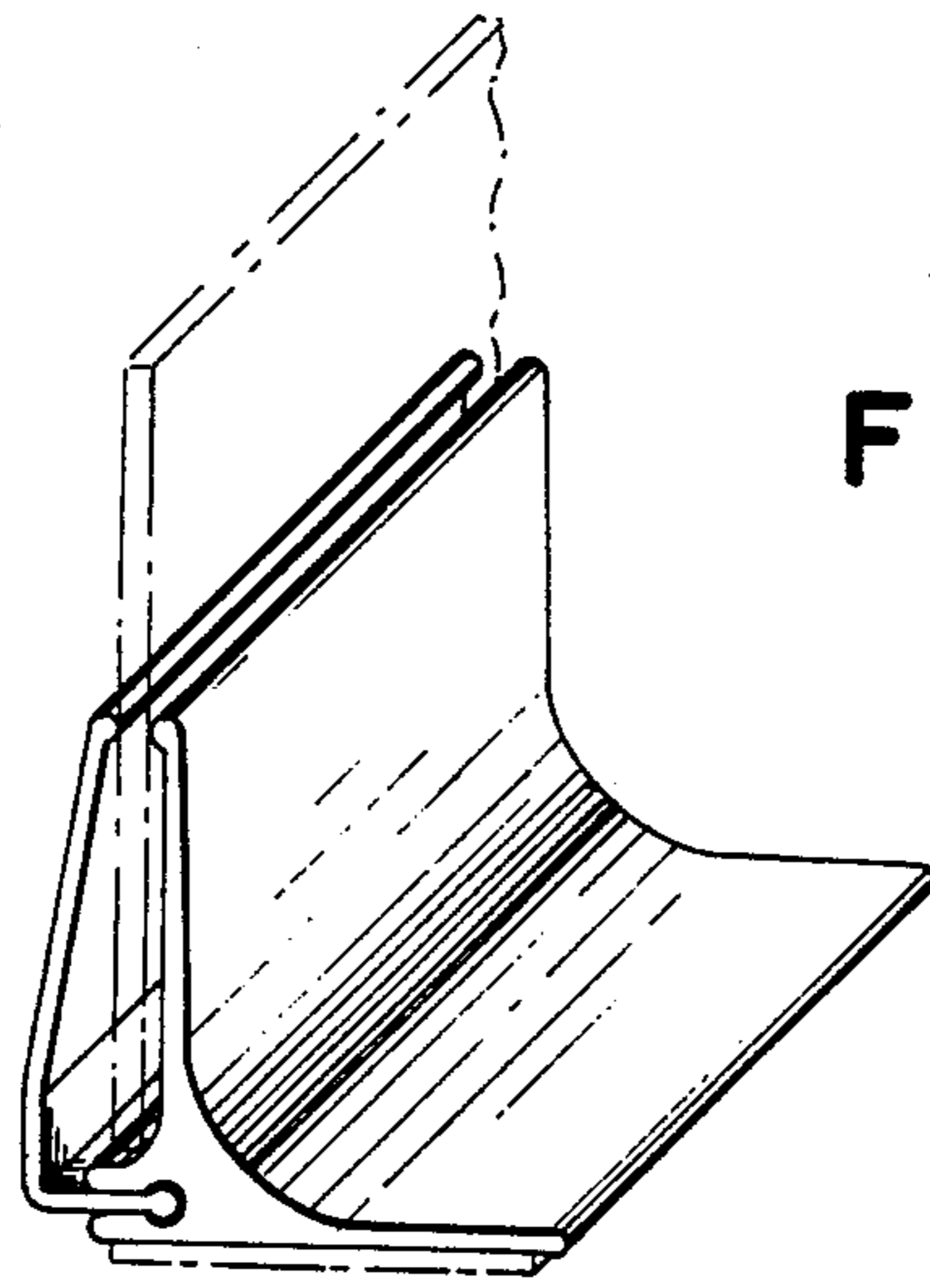


FIG. 1

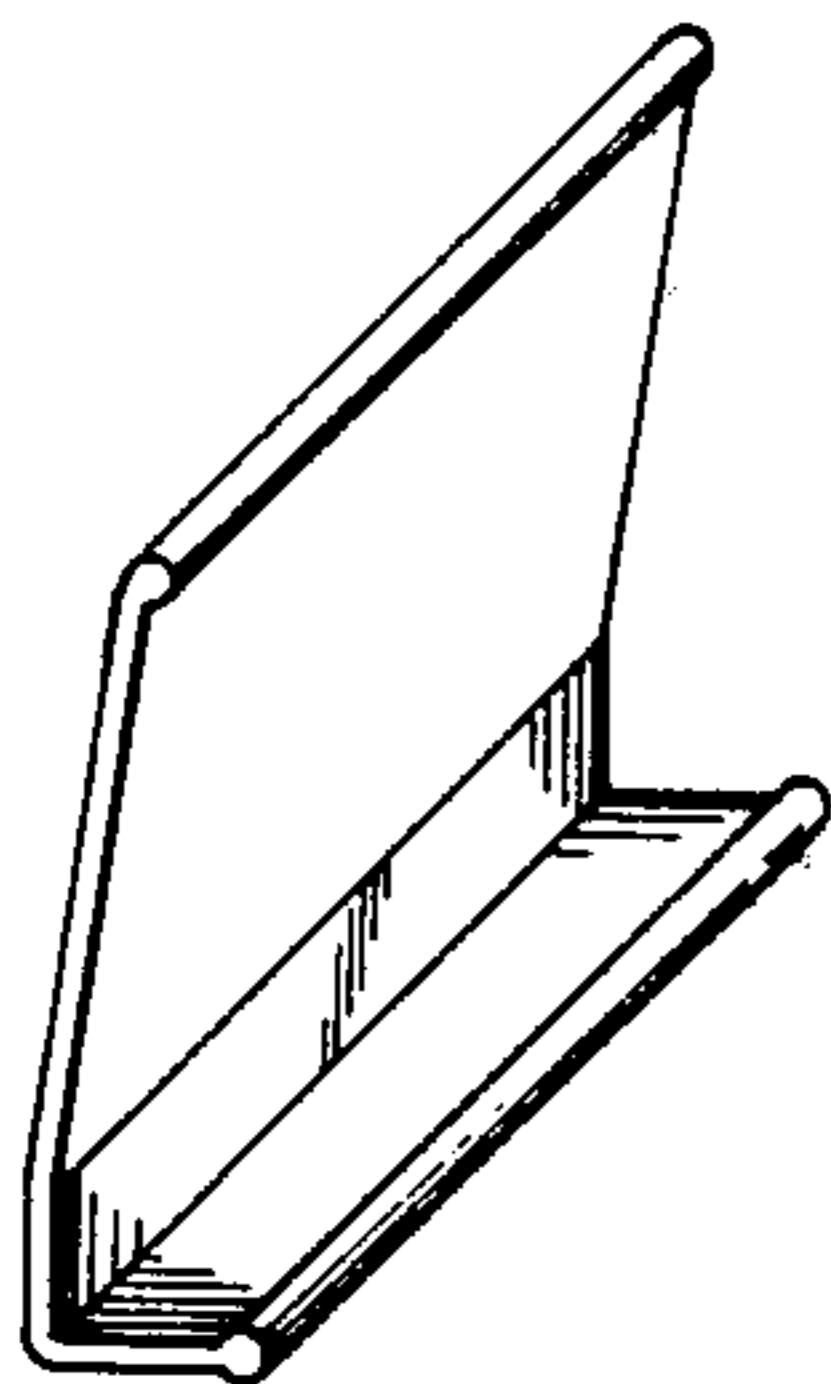


FIG. 2

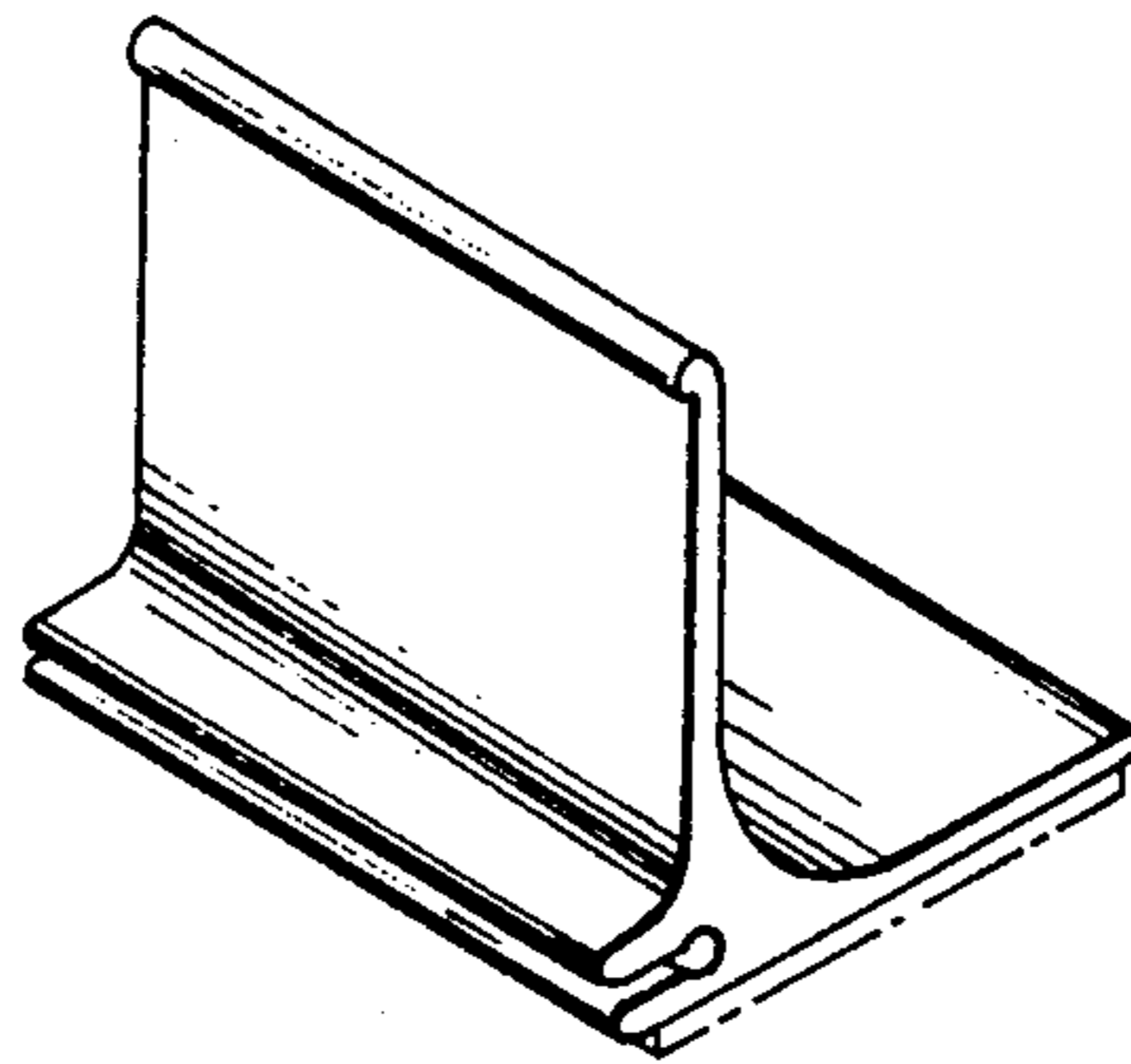


FIG. 3

UNITED STATES PATENT AND TRADEMARK OFFICE

Certificate

Patent No. D. 258,766

Patented March 31, 1981

Stanley Gold

Application having been made by Stanley Gold, the inventor named in the patent above identified, for the issuance of a certificate under the provisions of Title 35, Section 256, of the United States Code, adding the name of Robert Newman as a joint inventor, and a showing and proof of facts satisfying the requirements of the said section having been submitted, it is this 18th day of May 1982, certified that the name of the said Robert Newman is hereby added to the said patent as a joint inventor with the said Stanley Gold.

Fred W. Sherling
Associate Solicitor.