

[54] **DISPOSABLE CULTURE DEVICE OR THE LIKE**

[75] **Inventor:** Herbert B. Graham, Silver Spring, Md.

[73] **Assignee:** Precision Media Inc., Winchester, Va.

[**] **Term:** 14 Years

[21] **Appl. No.:** 889,510

[22] **Filed:** Mar. 23, 1978

[51] **Int. Cl.** D24-02

[52] **U.S. Cl.** D24/8

[58] **Field of Search** D24/8, 9, 17; 435/297, 435/298

[56] **References Cited**

U.S. PATENT DOCUMENTS

2,874,091	2/1959	Fisk	D24/17
3,097,070	7/1963	Aldrich et al.	D24/17
4,030,980	6/1977	Beckford et al.	D24/17

Primary Examiner—Sam Rosen
Attorney, Agent, or Firm—Fleit & Jacobson

[57] **CLAIM**

The ornamental design for disposable culture device or the like, substantially as shown and described.

DESCRIPTION

FIG. 1 is an exploded perspective view of a disposable culture device or the like showing the separate parts of my new design;

FIG. 2 is a bottom plan view of the cover thereof;

FIG. 3 is a top plan view of the base thereof; and

FIG. 4 is a side plan view of the assembled disposable culture device illustrated in FIG. 1.

For ease of illustration, the base is omitted from FIG. 2 and the cover is omitted from FIG. 3.

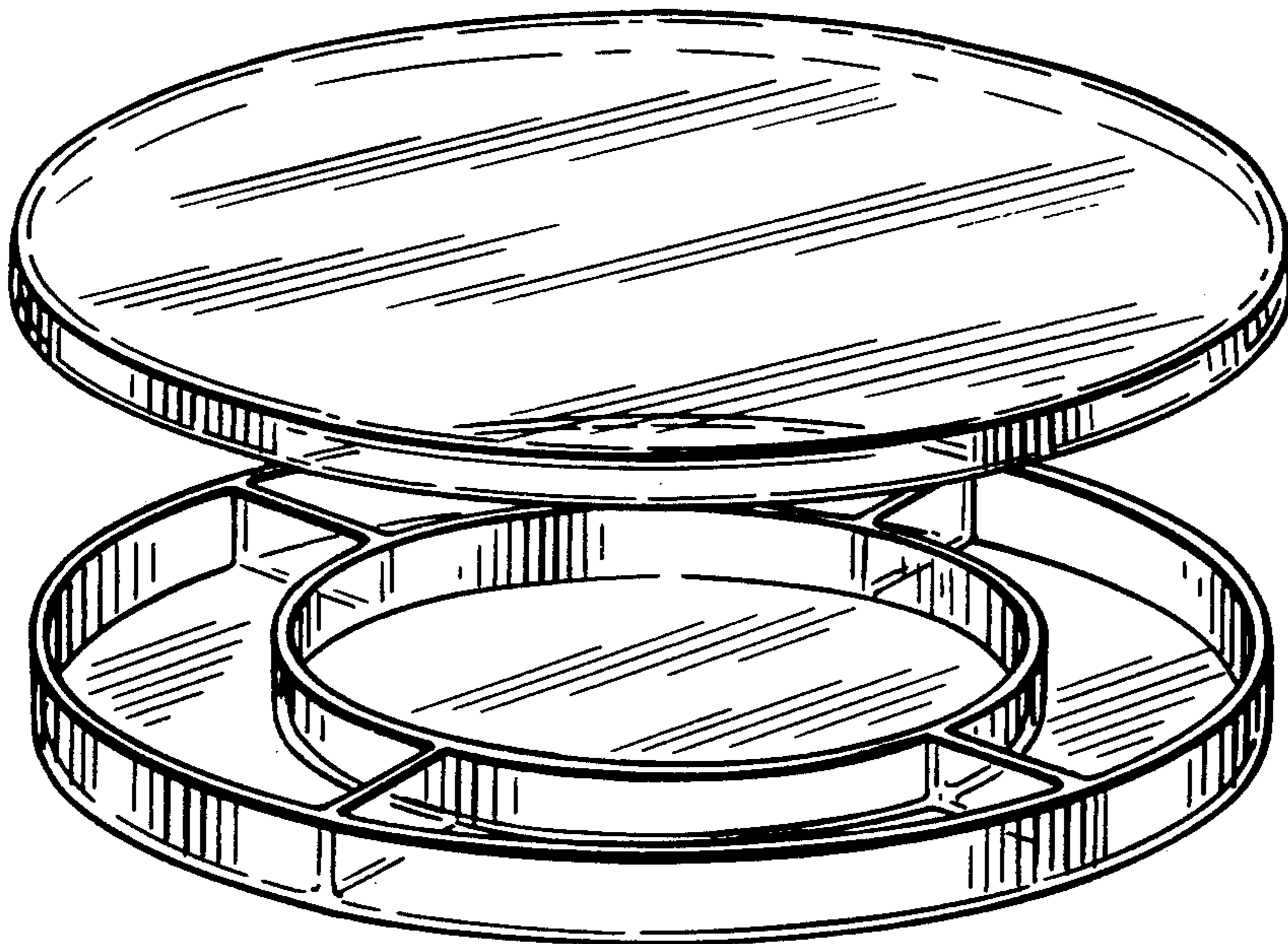


FIG. 1

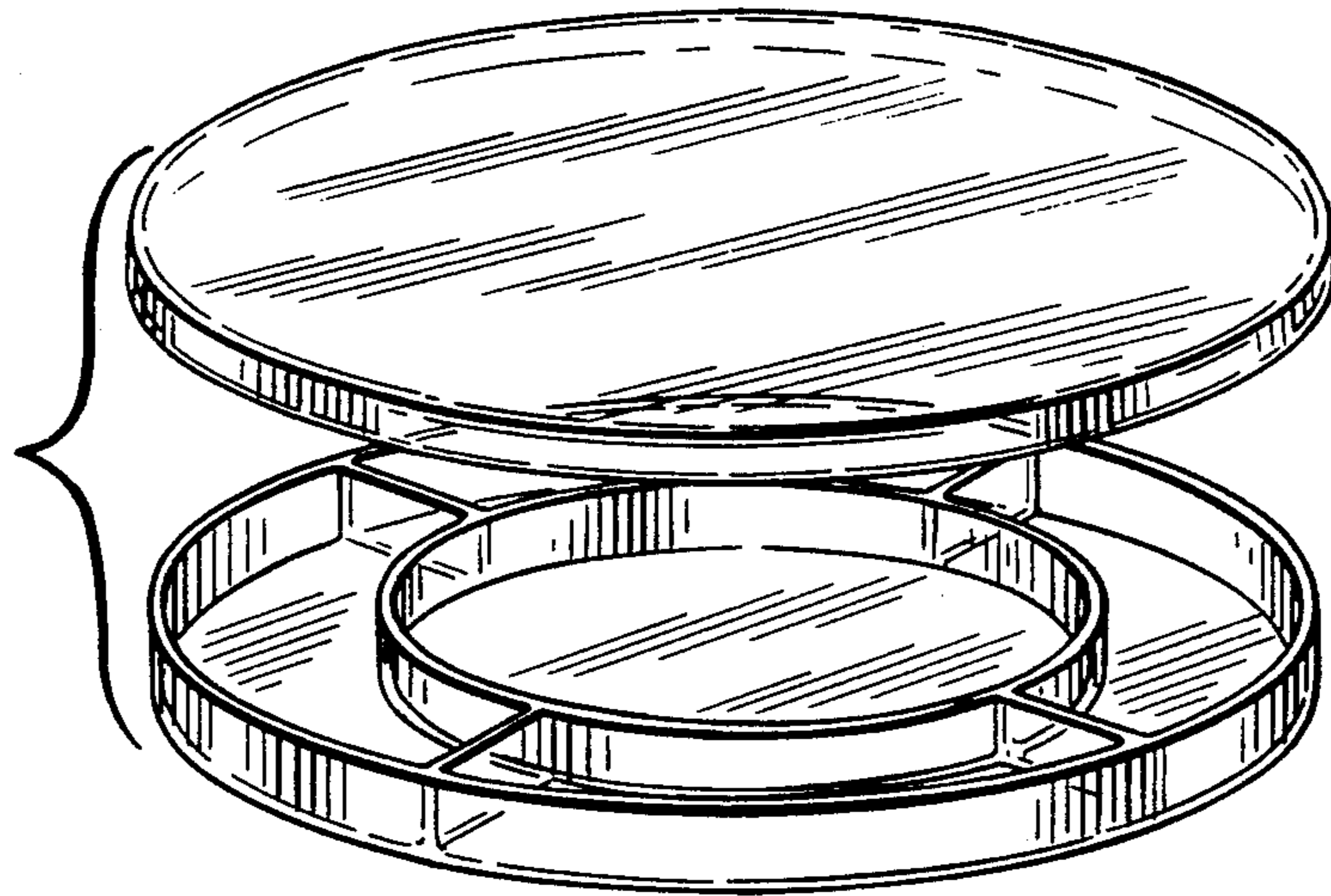


FIG. 2

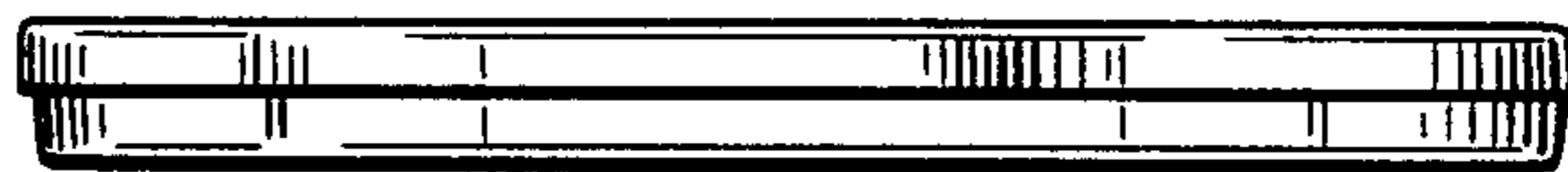
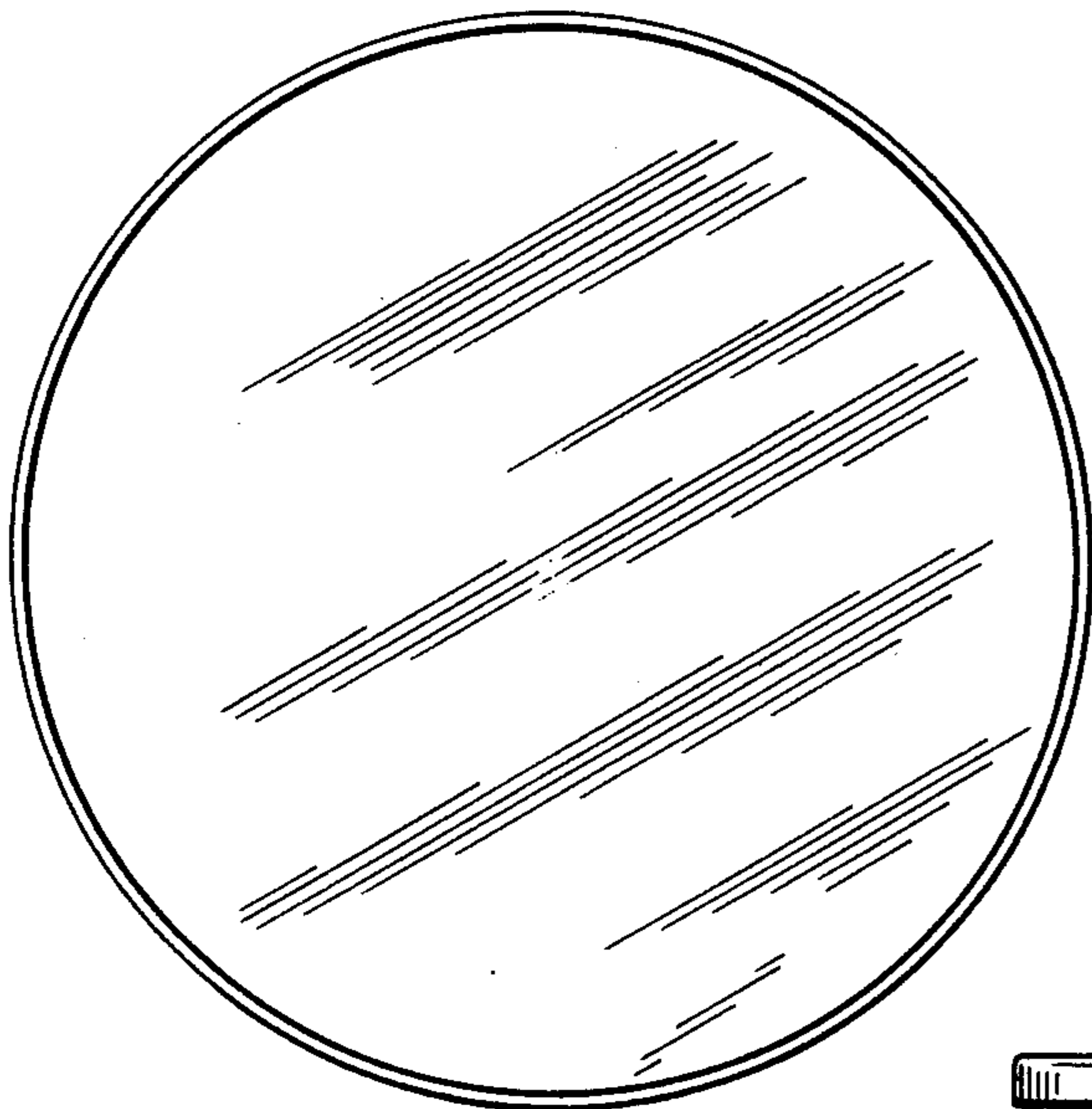


FIG. 4

FIG. 3

