

[54] PAINT SPRAY GUN

[75] Inventor: Melford H. Docken, Chippewa Falls, Wis.

[73] Assignee: Loren L. Brown, Rockford, Minn.

[**] Term: 14 Years

[21] Appl. No.: 105,979

[22] Filed: Feb. 28, 1980

[51] Int. Cl. D23-01

[52] U.S. Cl. D23/18

[58] Field of Search D23/17, 188, 34-38; 239/310, 311, 314, 318, 526

[56] References Cited

U.S. PATENT DOCUMENTS

D. 132,289	5/1942	Thompson	D23/18
D. 133,395	8/1942	Tammon	D23/18
D. 180,343	5/1957	Rich	D23/17

D. 206,008	10/1966	Stork, Jr.	D23/18
2,991,939	7/1961	Packard	239/310
3,136,486	6/1964	Docken	239/346
3,829,023	8/1974	Bouillard et al.	239/526

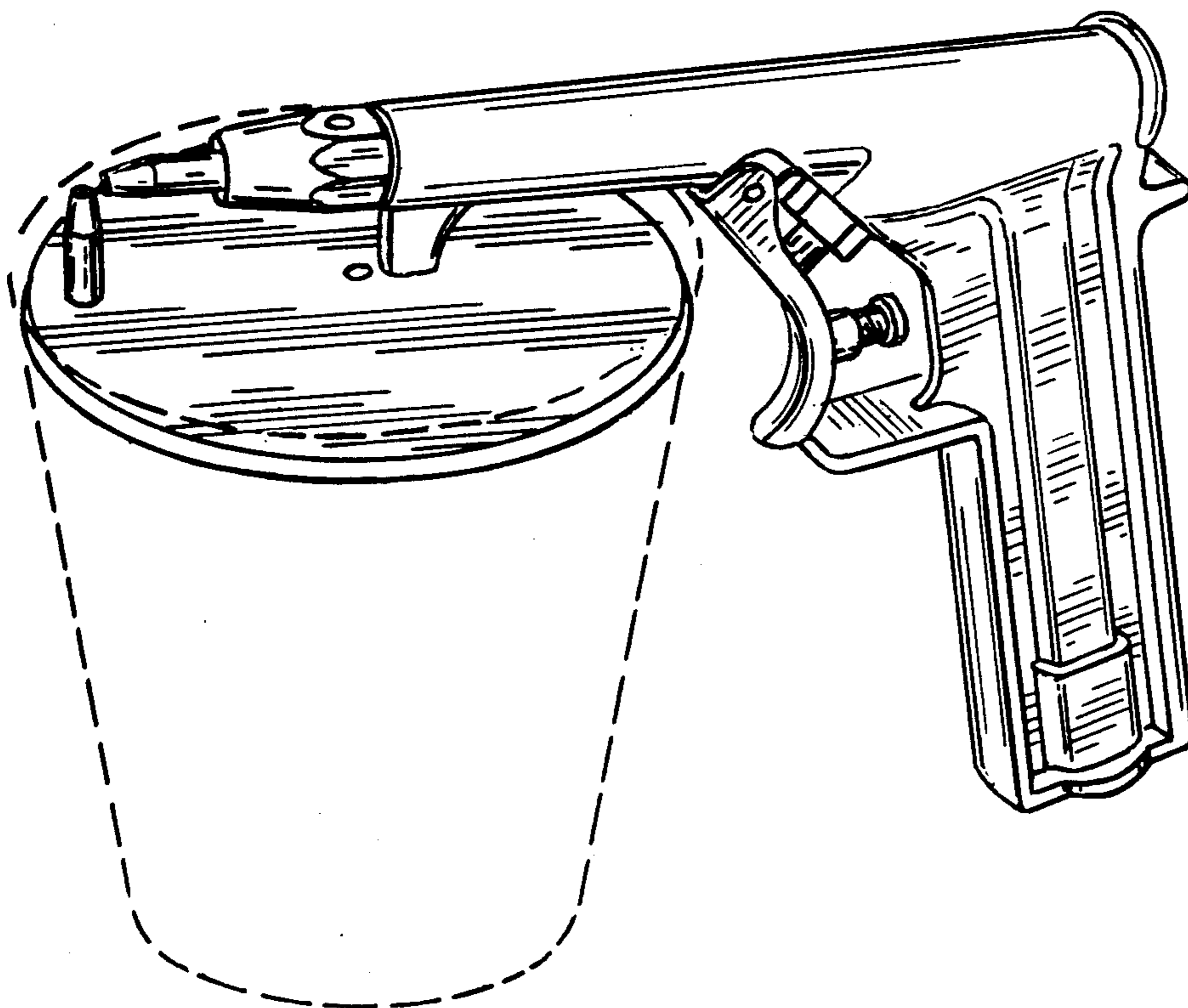
Primary Examiner—James R. Largen
Attorney, Agent, or Firm—Leo Gregory

[57] CLAIM

The ornamental design for a paint spray gun, as shown and described.

DESCRIPTION

FIG. 1 is a perspective view of a paint spray gun showing my new design;
FIG. 2 is a top plan view thereof;
FIG. 3 is a side elevational view thereof;
FIG. 4 is a bottom plan view thereof;
FIG. 5 is a front elevational view thereof; and
FIG. 6 is a rear elevational view thereof.
The broken line representation of a paint container in FIGS. 1 and 3 is for purposes of illustration only.



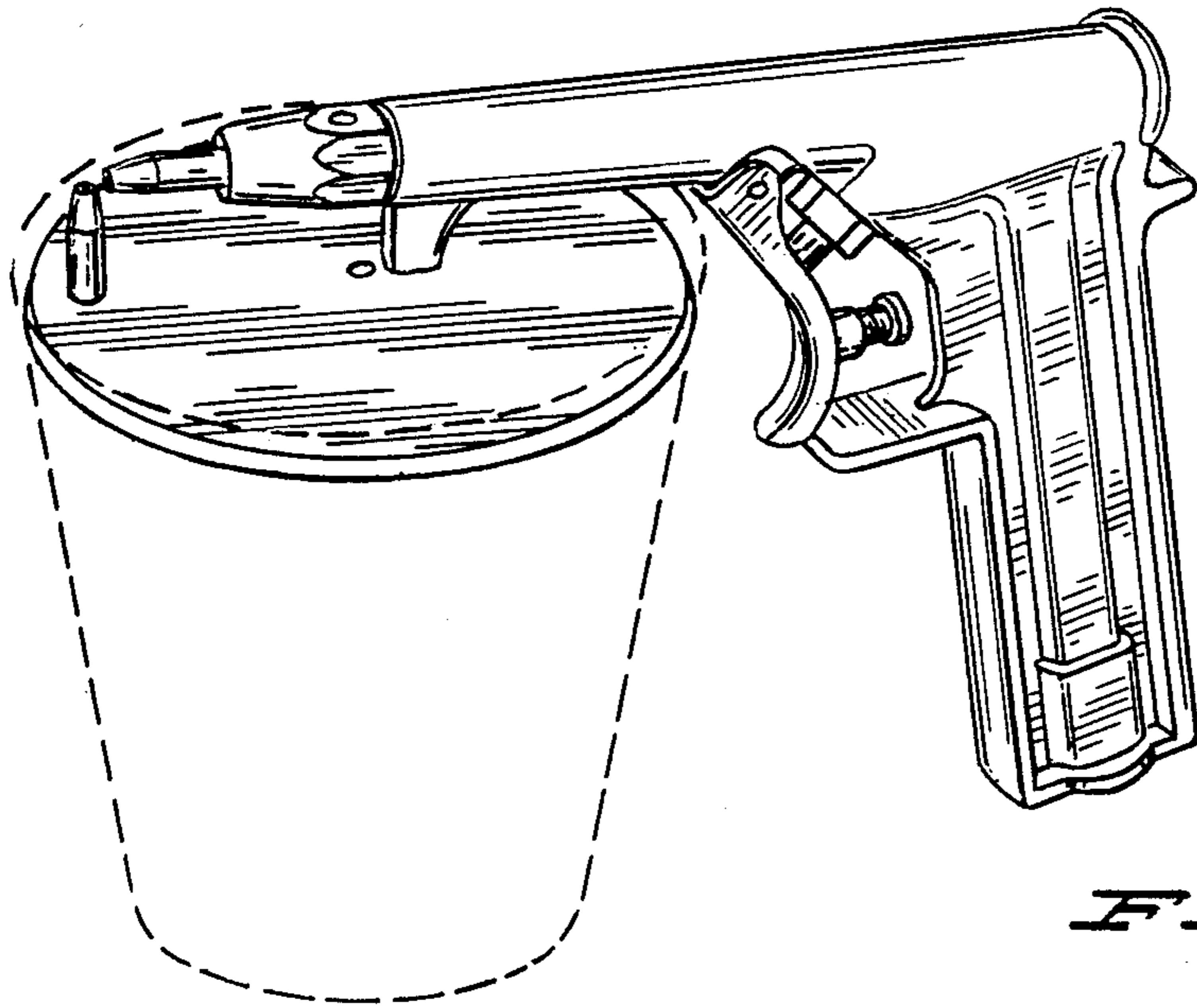


FIG. 1

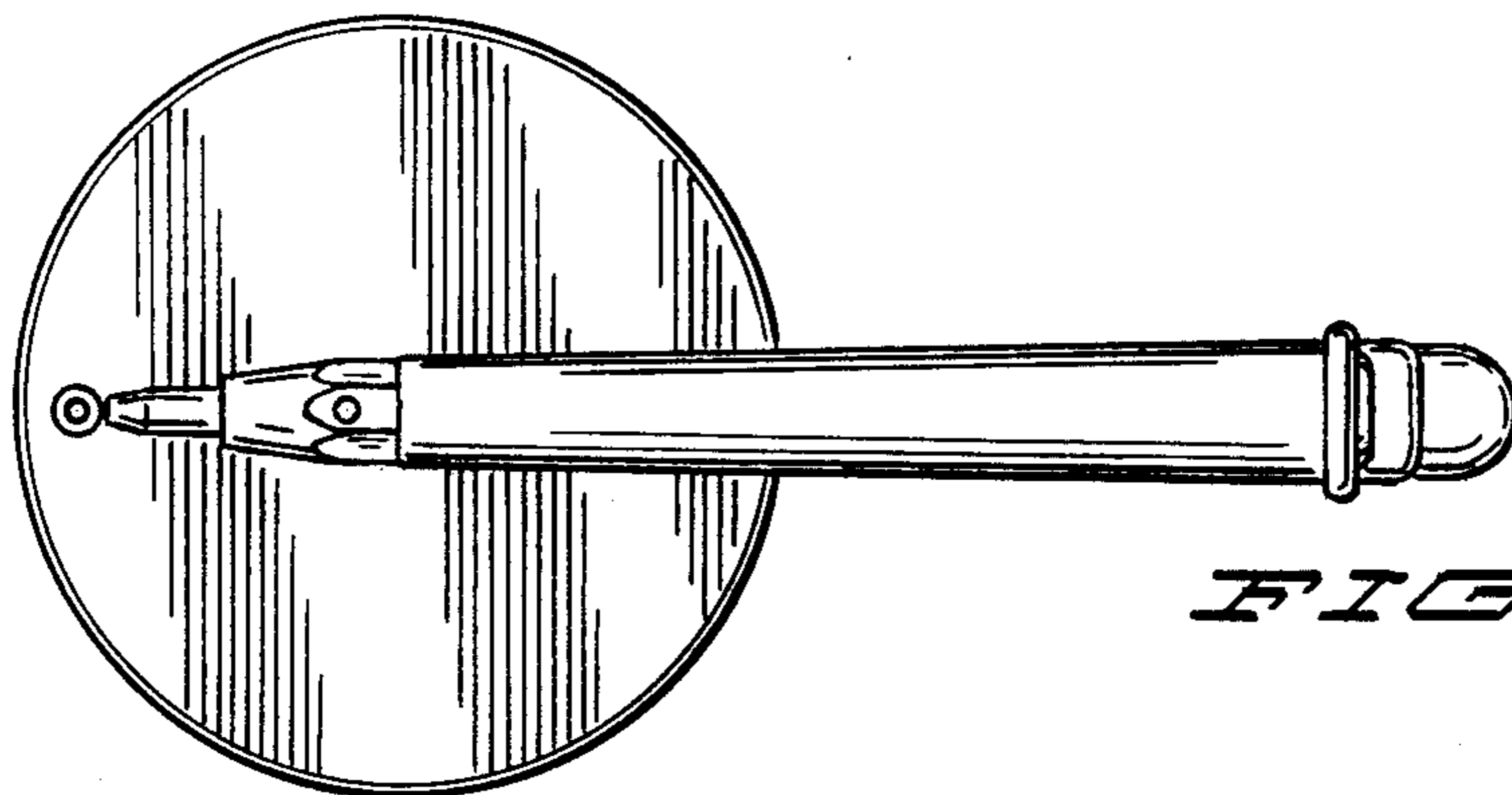


FIG. 2

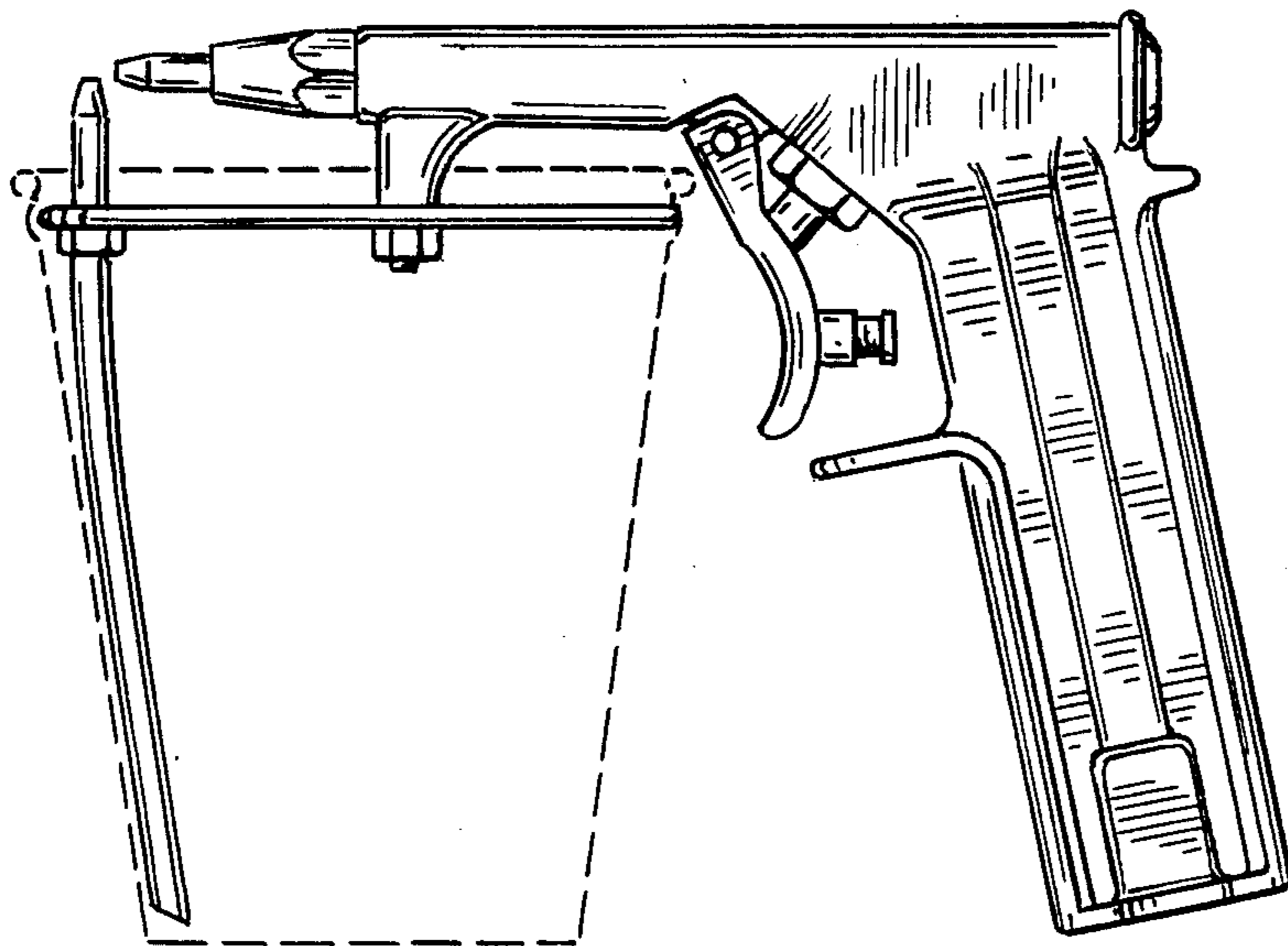


FIG. 3

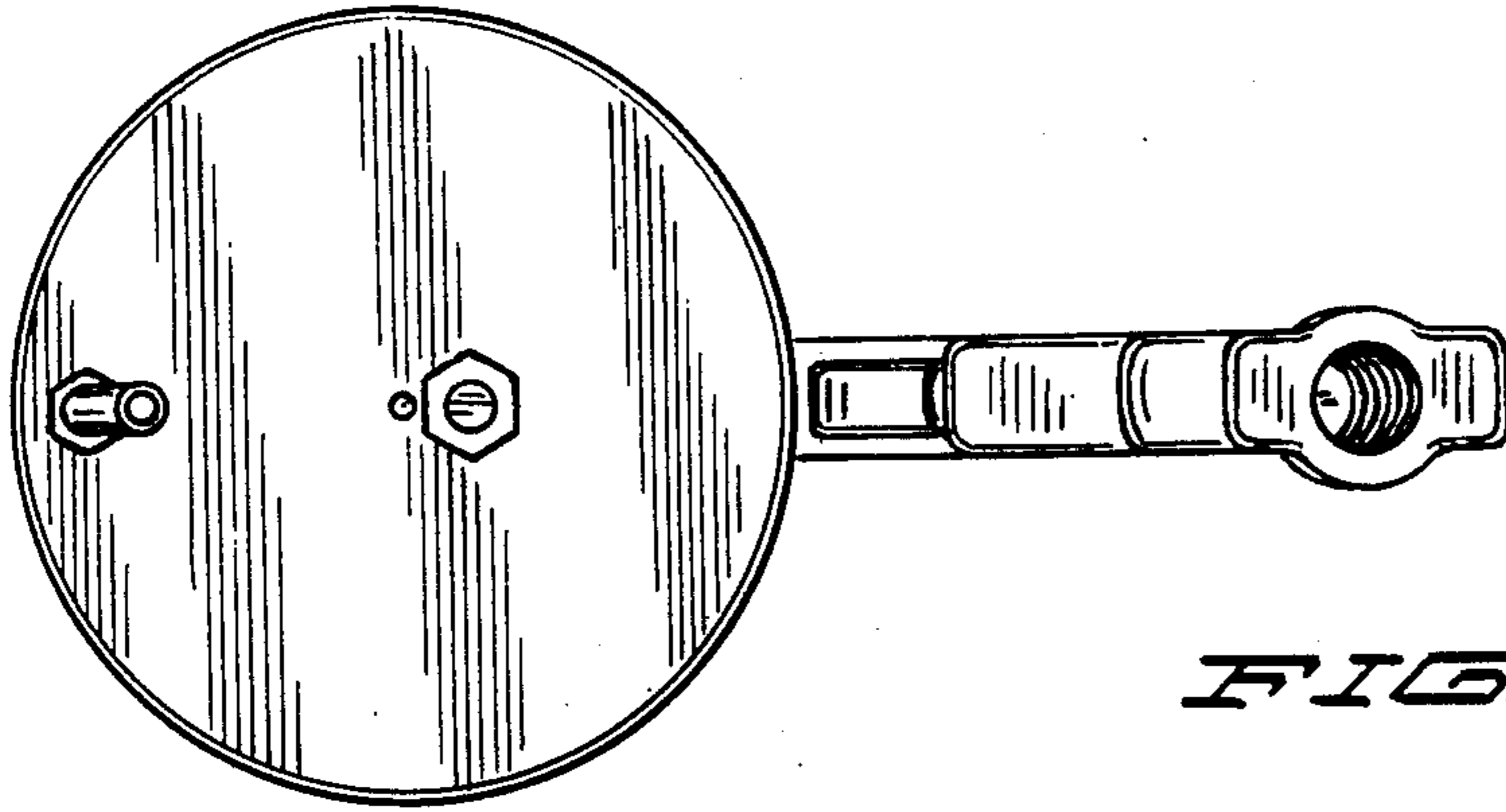


FIG. 4

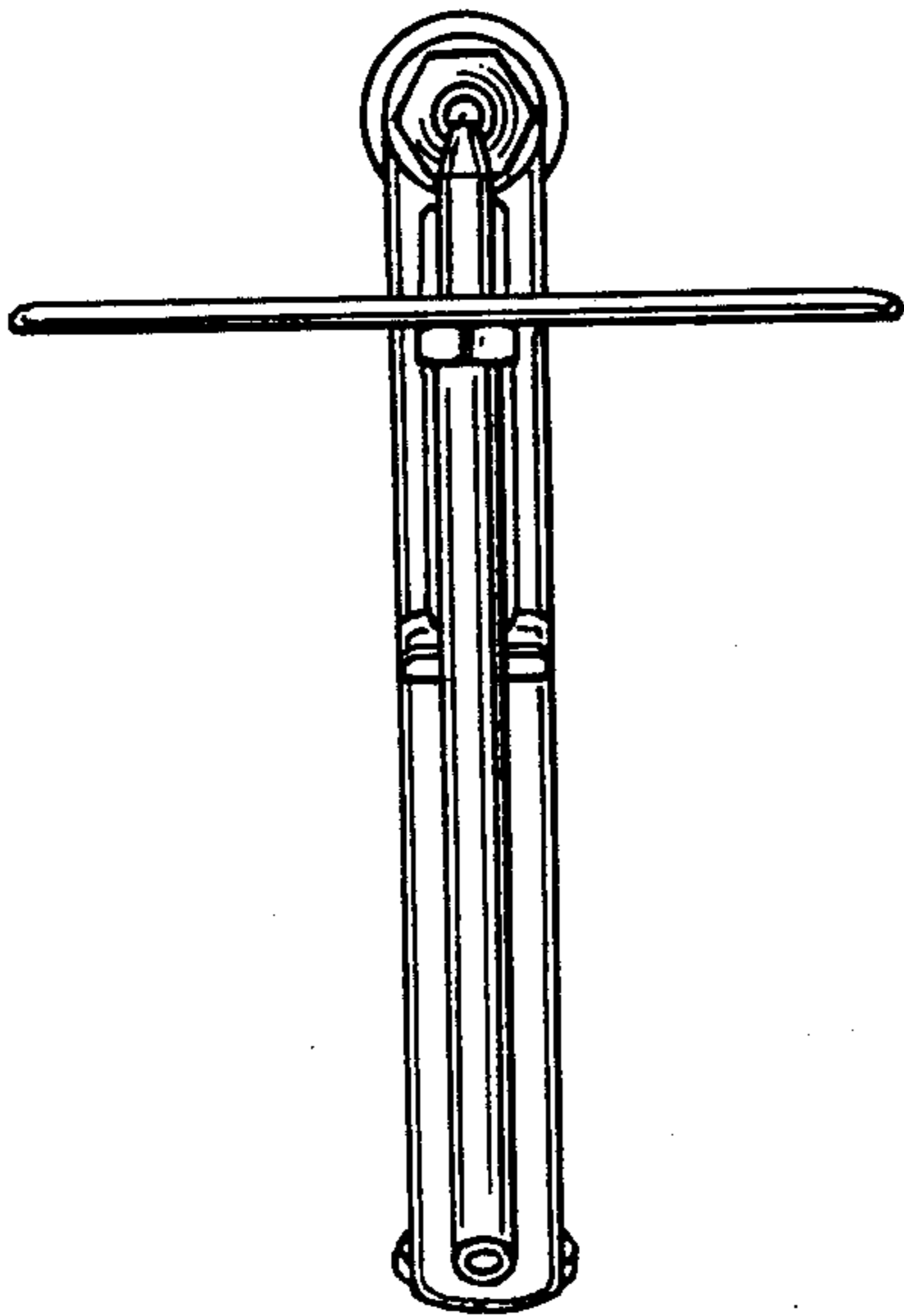


FIG. 5

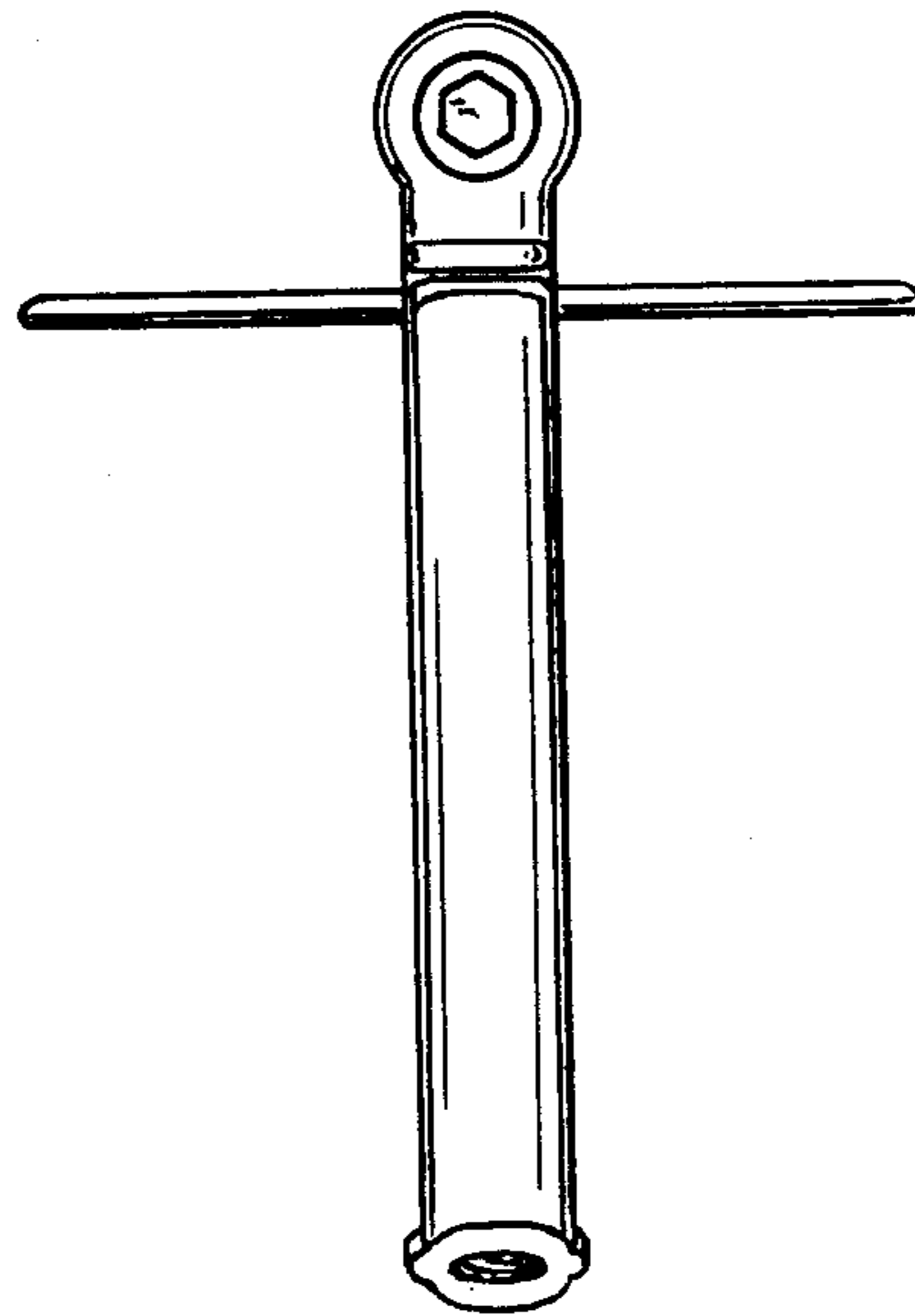


FIG. 6