

[54] EVAPORATIVE COOLER

[76] Inventor: Richard C. Jordan, P.O. Box 1385, Carefree, Ariz. 85377

[**] Term: 14 Years

[21] Appl. No.: 7,063

[22] Filed: Jan. 29, 1979

[51] Int. Cl. D23-04

[52] U.S. Cl. D23/139

[58] Field of Search D23/139-153; 62/309, 505; 261/29, 96, 98, 106

[56] References Cited

U.S. PATENT DOCUMENTS

D. 207,514	4/1967	Hoyle	D23/139
D. 210,532	3/1968	Tureo	D23/153
D. 213,695	4/1969	Soroos	D23/139
D. 219,449	12/1970	Ortega et al.	D23/139

D. 219,450	12/1970	Ortega et al.	D23/139
D. 226,914	5/1973	Hoyle	D23/139
D. 244,294	5/1977	Glasoe	D23/153
3,498,080	3/1970	Campbell et al.	D23/139 X
3,722,845	3/1973	Unger	D23/139 X
4,026,971	5/1977	Glasoe	261/29
4,029,723	6/1977	Morrison et al.	261/29

Primary Examiner—James R. Largent
Attorney, Agent, or Firm—Charles E. Cates

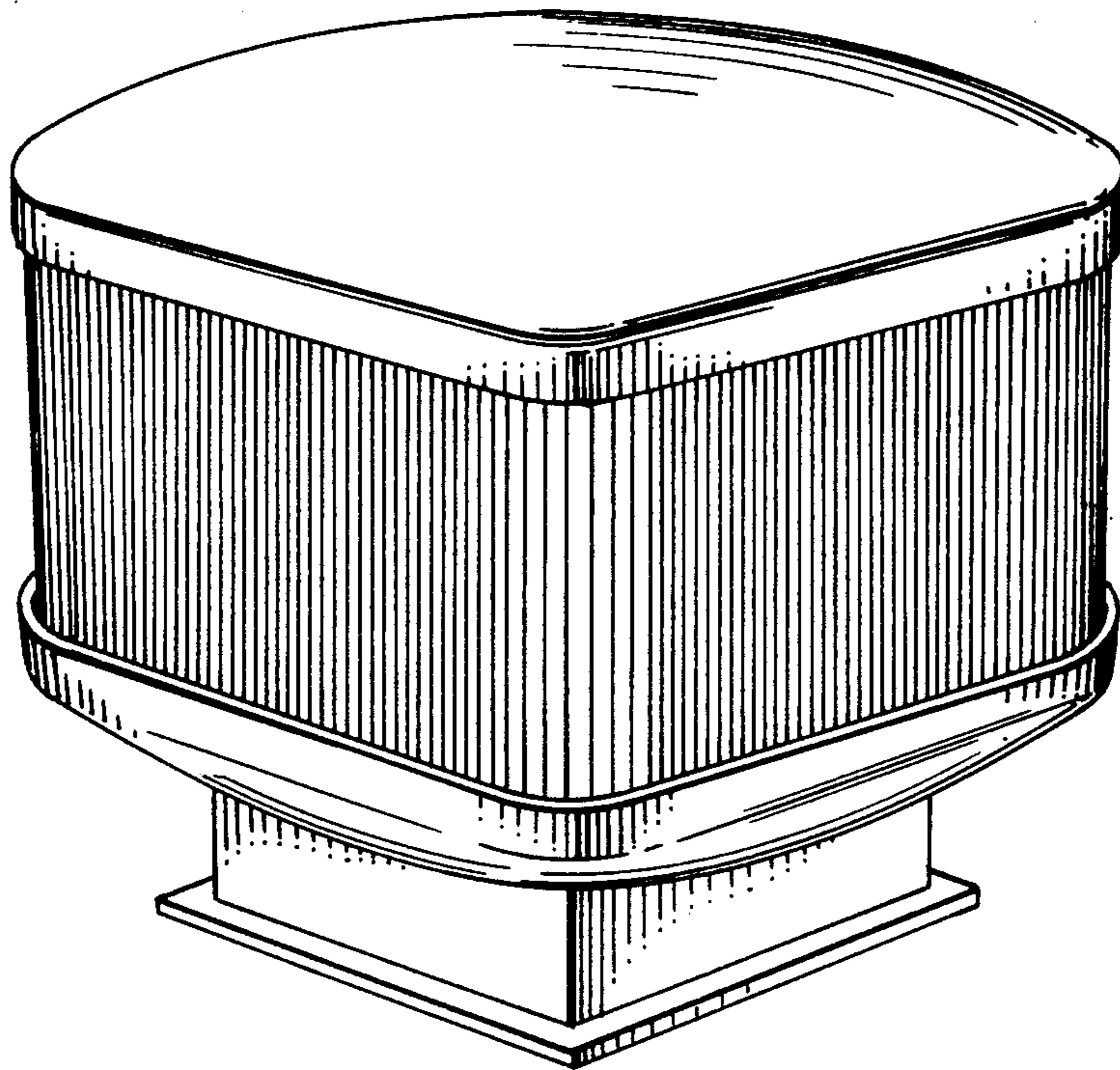
[57] CLAIM

The ornamental design for an evaporative cooler, substantially as shown.

DESCRIPTION

FIG. 1 is a perspective view taken from the top, front and one side of an evaporative cooler showing my new design; and

FIG. 2 is a perspective view taken from the bottom, rear and side opposite that shown in FIG. 1.



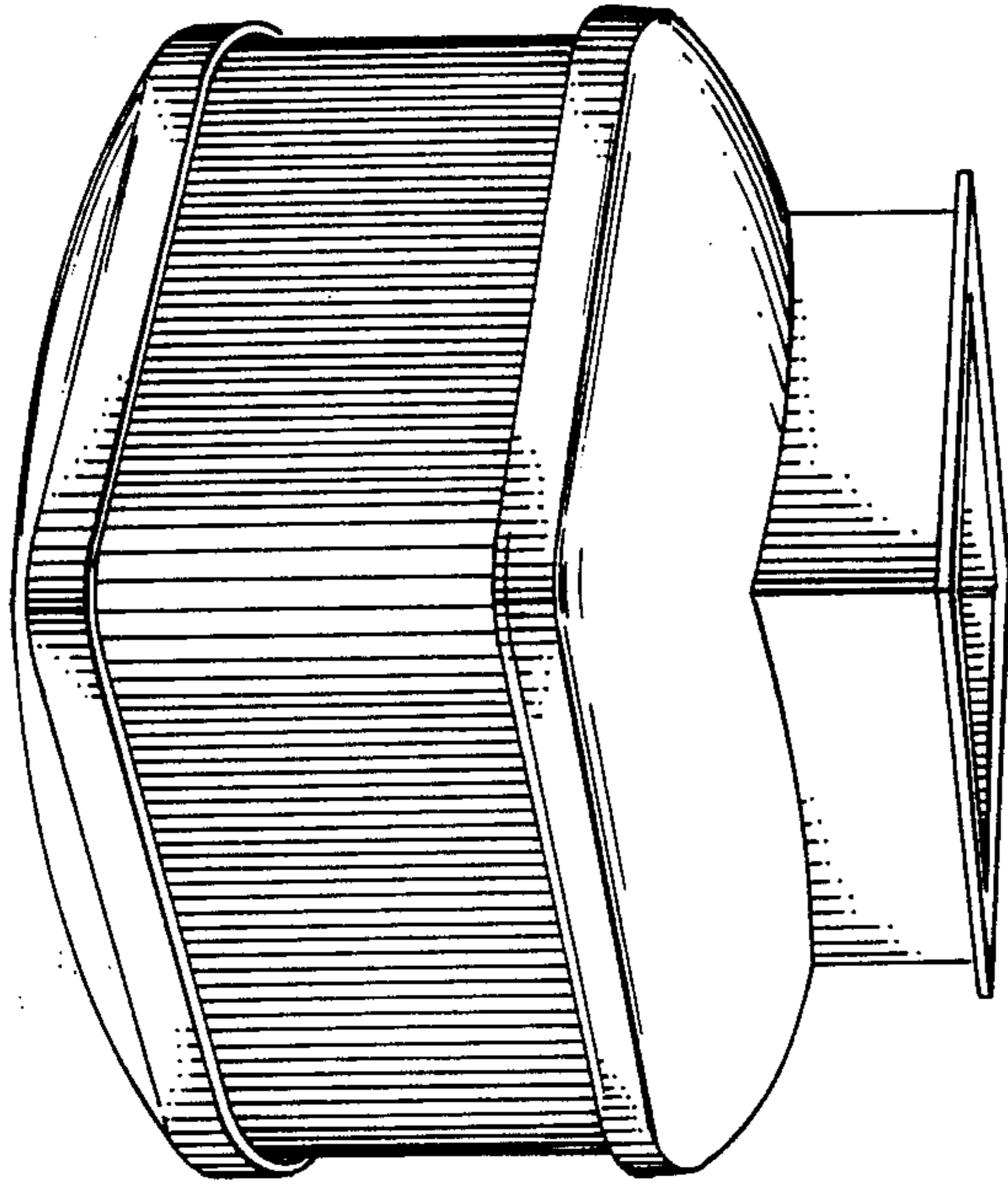


fig. 2

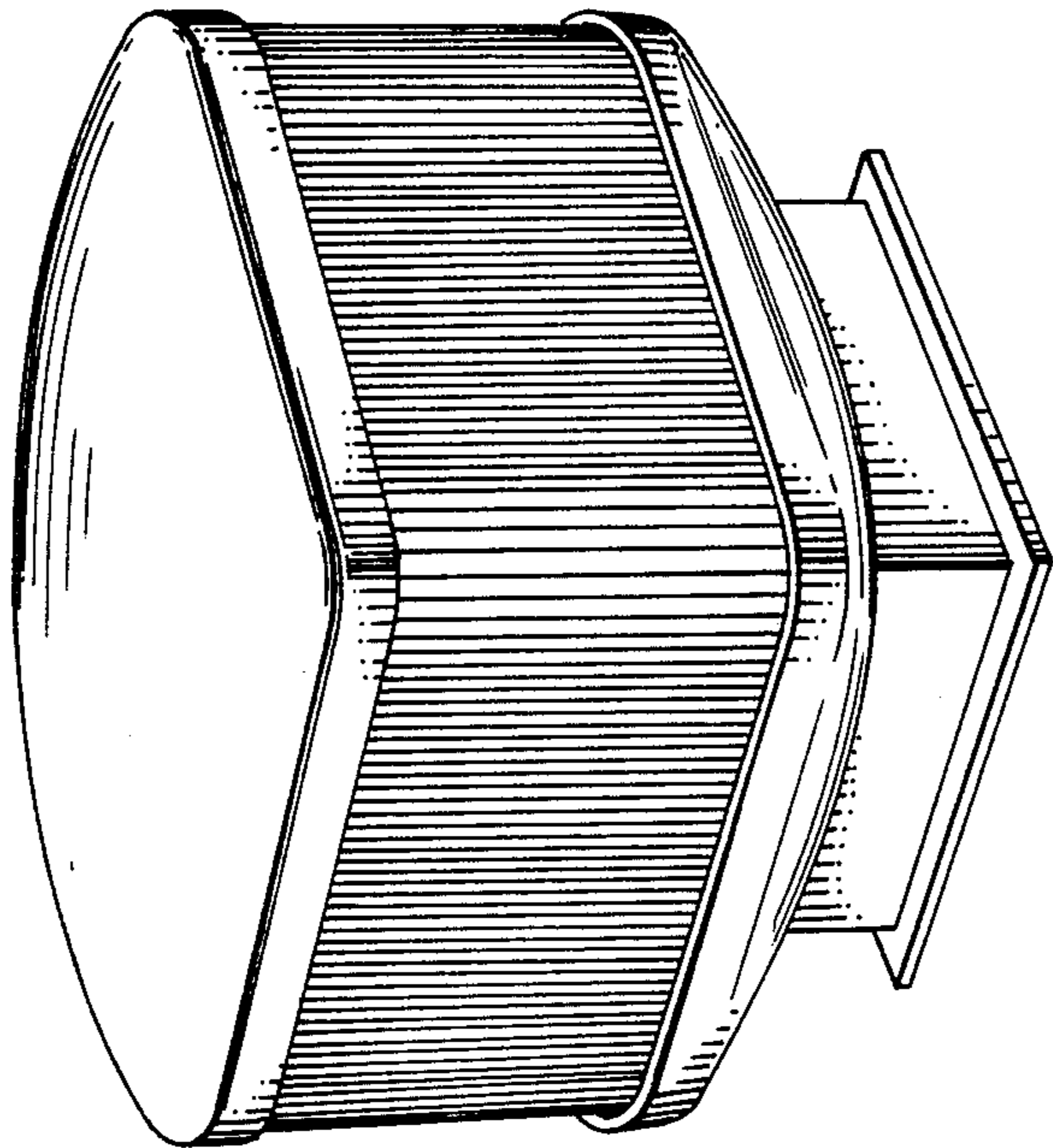


fig. 1