

[54] **MANIFOLD FOR A FORCED AIR FIREPLACE FURNACE**

[75] **Inventor:** Hal Larson, Milton-Freewater, Oreg.

[73] **Assignee:** Woodcutters Manufacturing, Inc., Walla Walla, Wash.

[\*\*] **Term:** 14 Years

[21] **Appl. No.:** 972,810

[22] **Filed:** Dec. 26, 1978

[51] **Int. Cl.** ..... D23-03

[52] **U.S. Cl.** ..... D23/127

[58] **Field of Search** ..... D23/92, 93, 94, 95, D23/96, 97; 126/120, 121, 163 R, 163 A, 164, 165

[56] **References Cited**

**U.S. PATENT DOCUMENTS**

D. 254,388 3/1980 Chesnut et al. .... D23/95  
1,766,601 6/1930 Cesa ..... 126/121

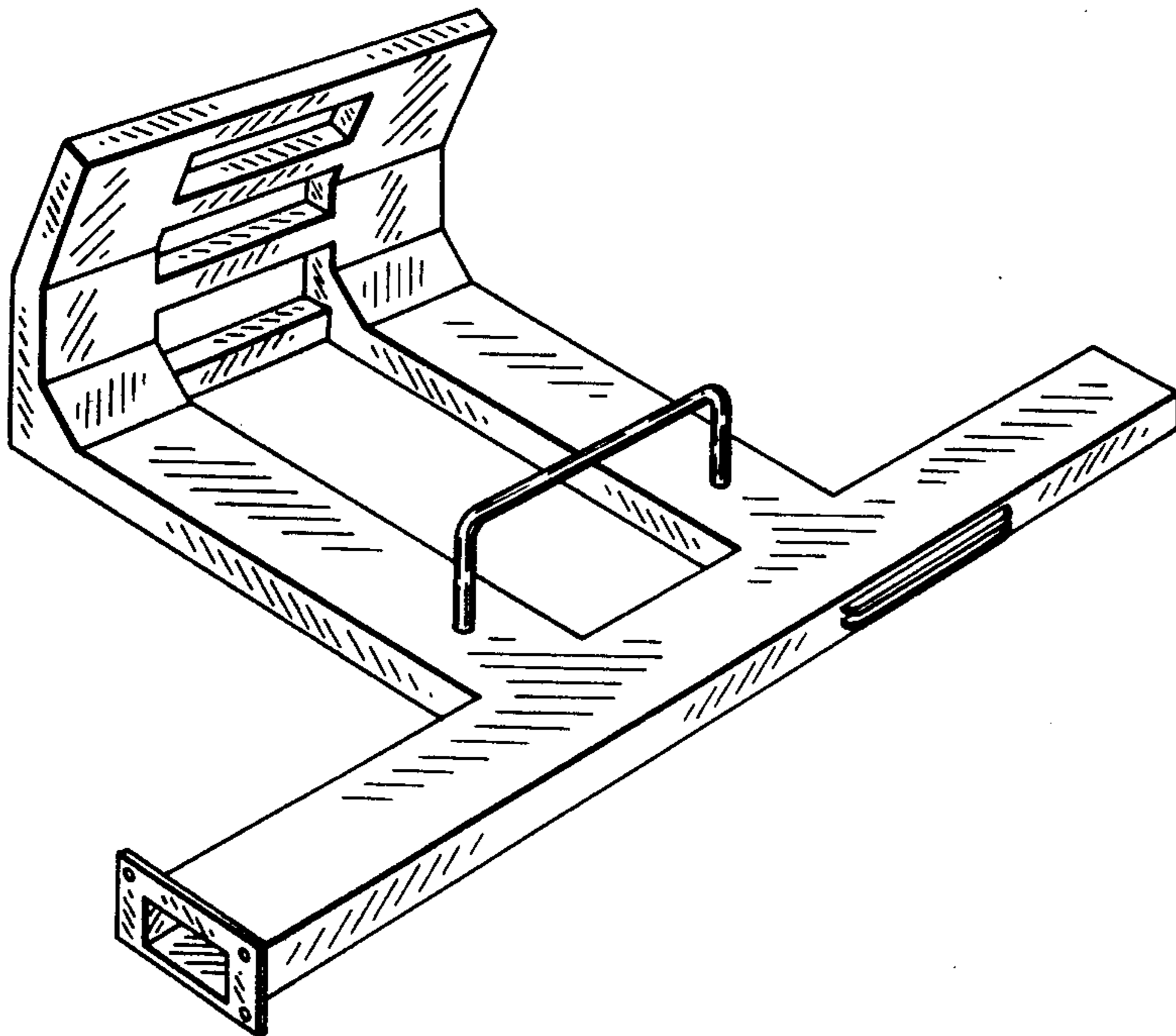
*Primary Examiner*—Catherine E. Kemper  
*Attorney, Agent, or Firm*—Daniel P. Chernoff

[57] **CLAIM**

The ornamental design for a manifold for a forced air fireplace furnace, as shown.

**DESCRIPTION**

FIG. 1 is a top front perspective view of a manifold for a forced air fireplace furnace, showing my new design; FIG. 2 is a top rear perspective view thereof; FIG. 3 is a bottom rear perspective view thereof.



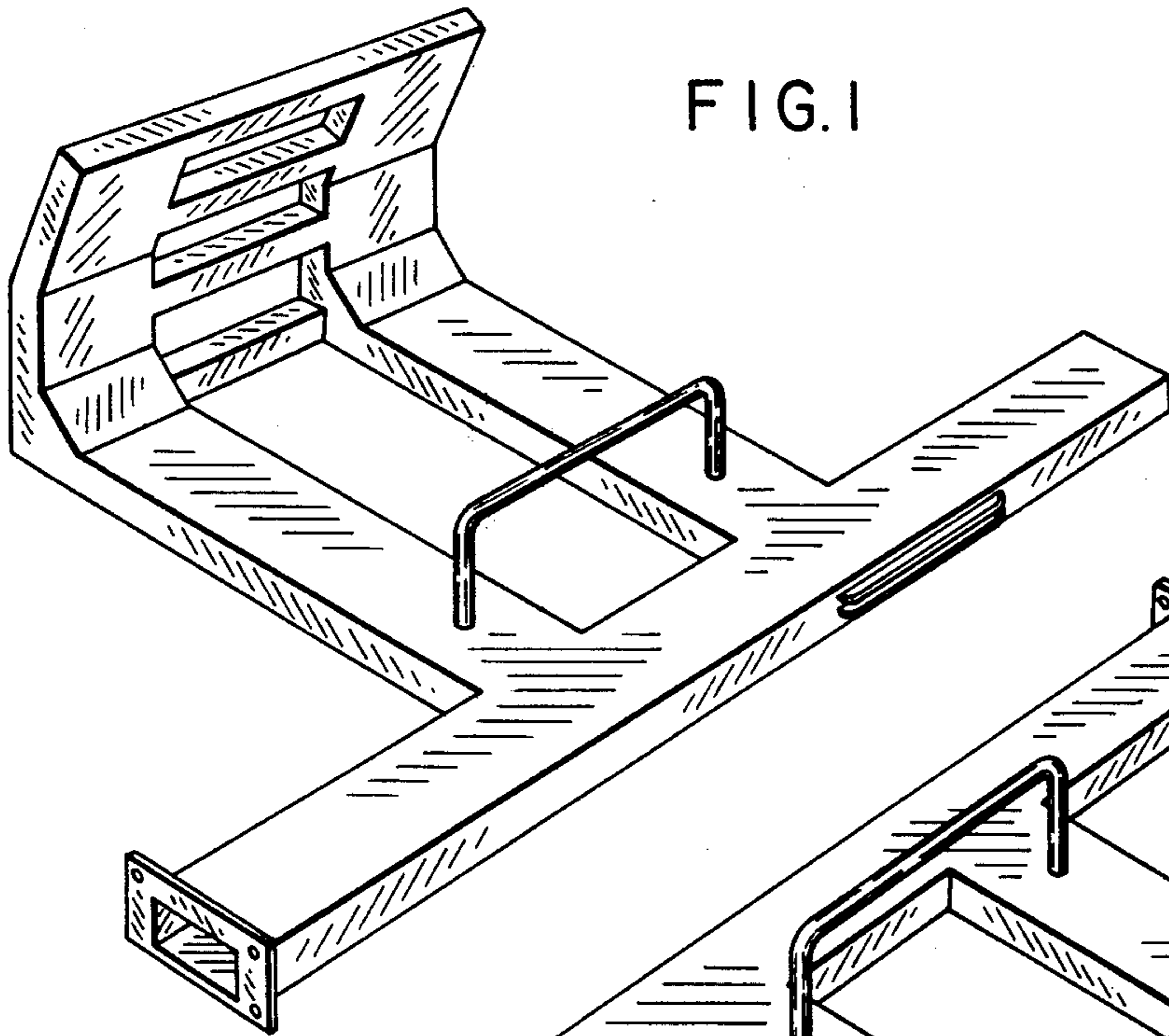


FIG. 1

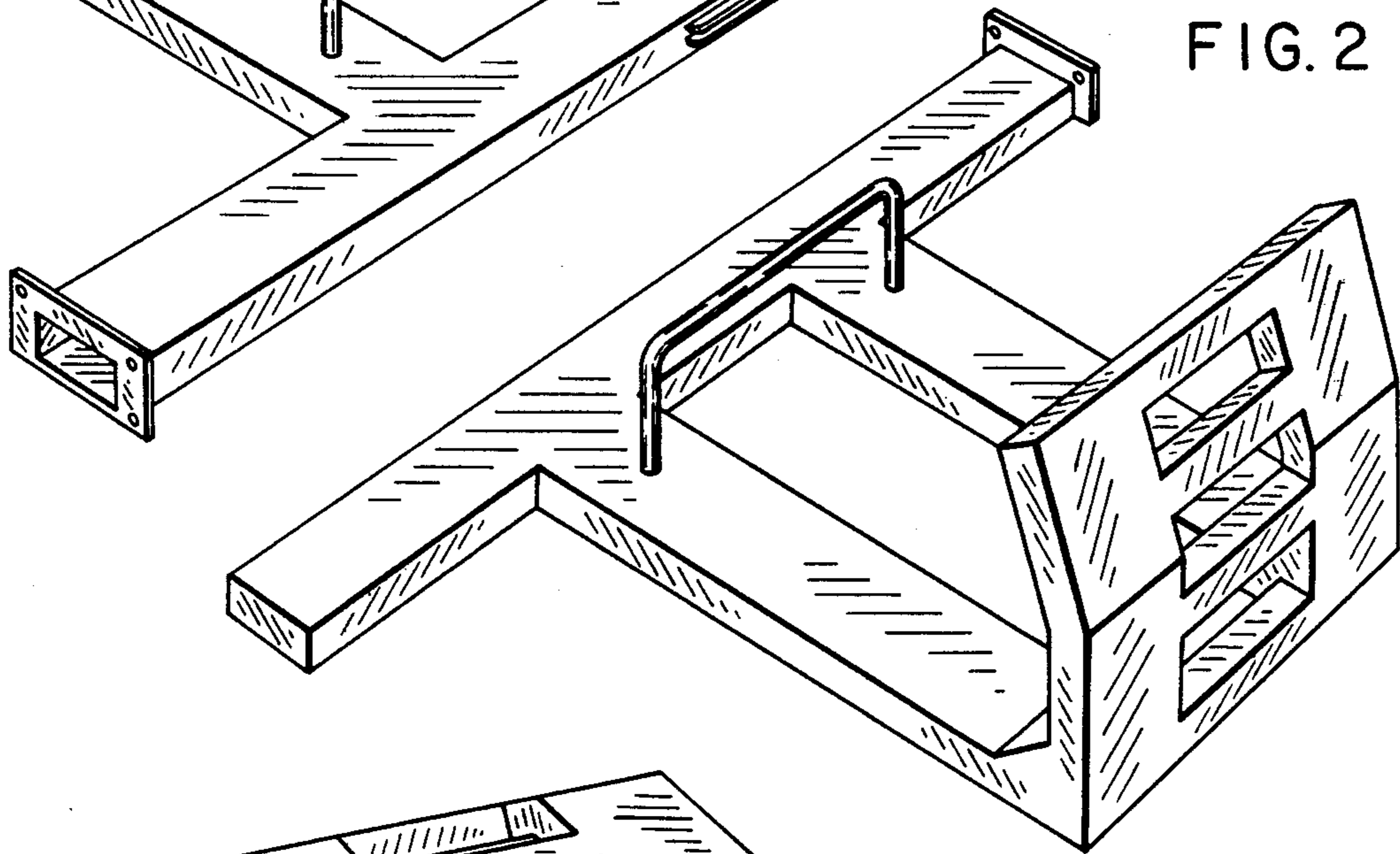


FIG. 2

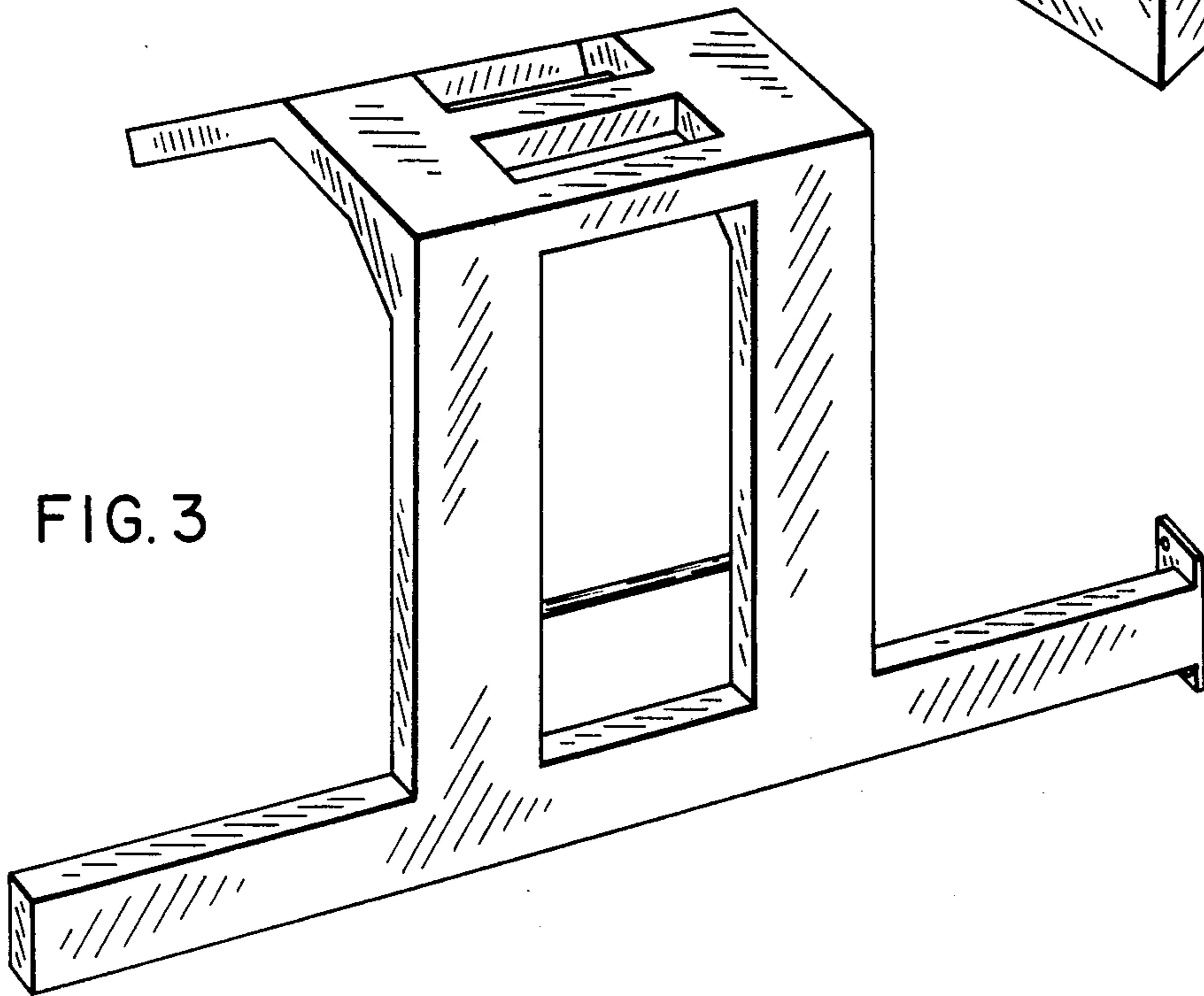


FIG. 3