

[54] **IRRIGATION SPRAY NOZZLE**

[76] **Inventors:** Carl E. Addison, R.R. 1, Cimarron, Kans. 67835; Rocky J. Comes, Box 24, Offerle, Kans. 67563

[**] **Term:** 14 Years

[21] **Appl. No.:** 136,278

[22] **Filed:** Apr. 1, 1980

Related U.S. Application Data

[63] Continuation-in-part of Ser. No. 881,880, Feb. 27, 1978, Pat. No. D. 253,842, Ser. No. 58,003, Jul. 16, 1979, Ser. No. 113,082, Jan. 17, 1980, Ser. No. 113,084, Jan. 17, 1980, and Ser. No. 113,090, Jan. 17, 1980.

[51] **Int. Cl.** D23-01

[52] **U.S. Cl.** D23/35; D23/6

[58] **Field of Search** D23/6-12, D23/34-38; 169/37-41; 23/523, 524

[56] **References Cited**

U.S. PATENT DOCUMENTS

D. 184,373	2/1959	Rider	D23/6
D. 253,842	1/1980	Addison et al.	D23/35
921,205	5/1909	Cramer	239/524
1,401,176	12/1921	Miller	239/524
1,801,459	4/1931	Slauter	239/524 X
2,707,130	4/1955	Vernon	137/344
2,741,510	4/1956	McCulloch	137/344
3,259,319	7/1966	Wallace	239/177
3,586,244	6/1971	Johnson	239/524
3,856,038	12/1974	Paul	137/344

Primary Examiner—James R. Largen
Attorney, Agent, or Firm—Fishburn, Gold and Litman

[57] **CLAIM**

The ornamental design for a irrigation spray nozzle, as shown.

DESCRIPTION

FIG. 1 is a perspective view of a irrigation spray nozzle embodying our design.

FIG. 2 is a front elevational view thereof.

FIG. 3 is a side elevational view thereof.

FIG. 4 is a top plan view thereof with a portion of one side broken away for convenience of illustration.

FIG. 5 is a bottom plan view thereof.

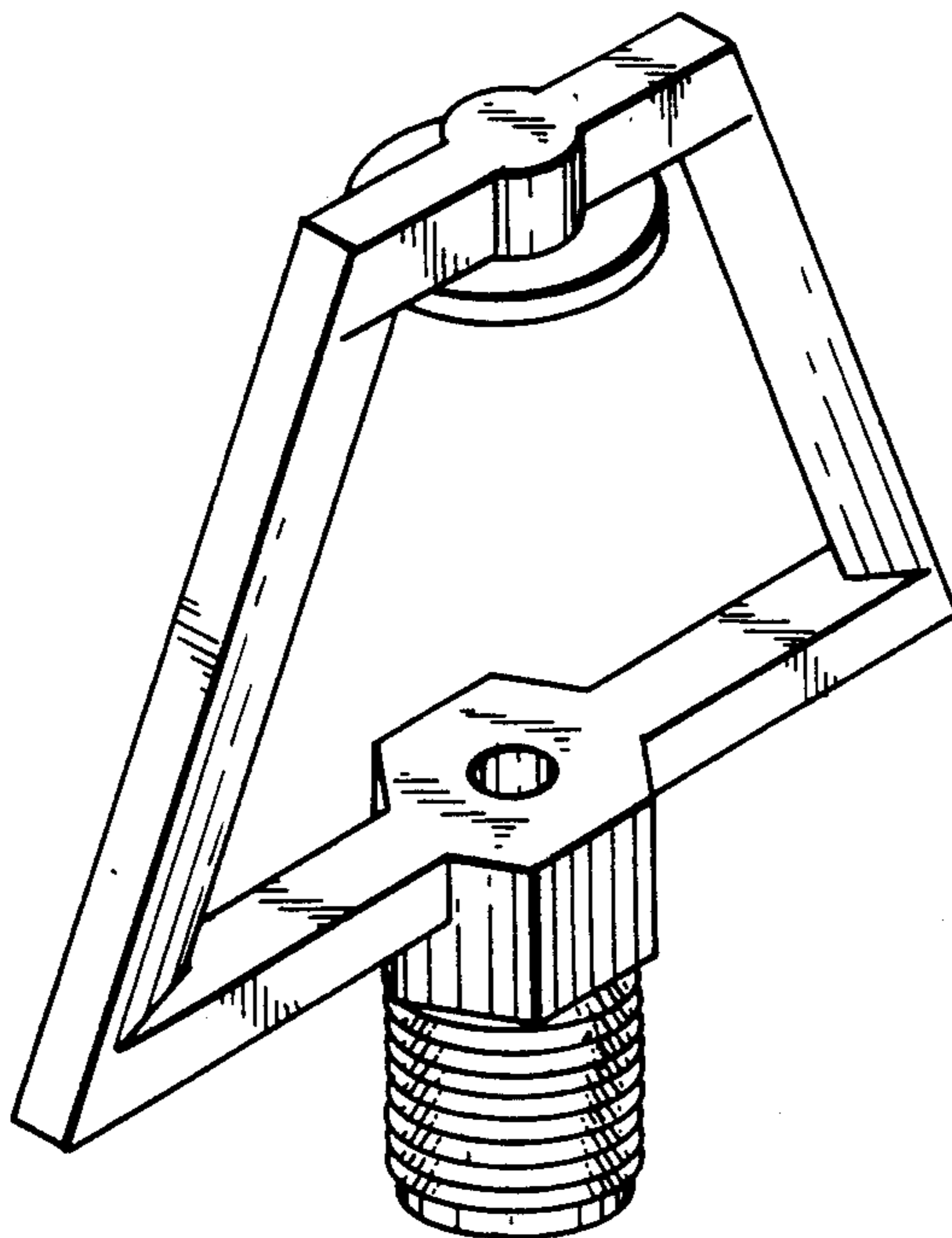


Fig. 1.

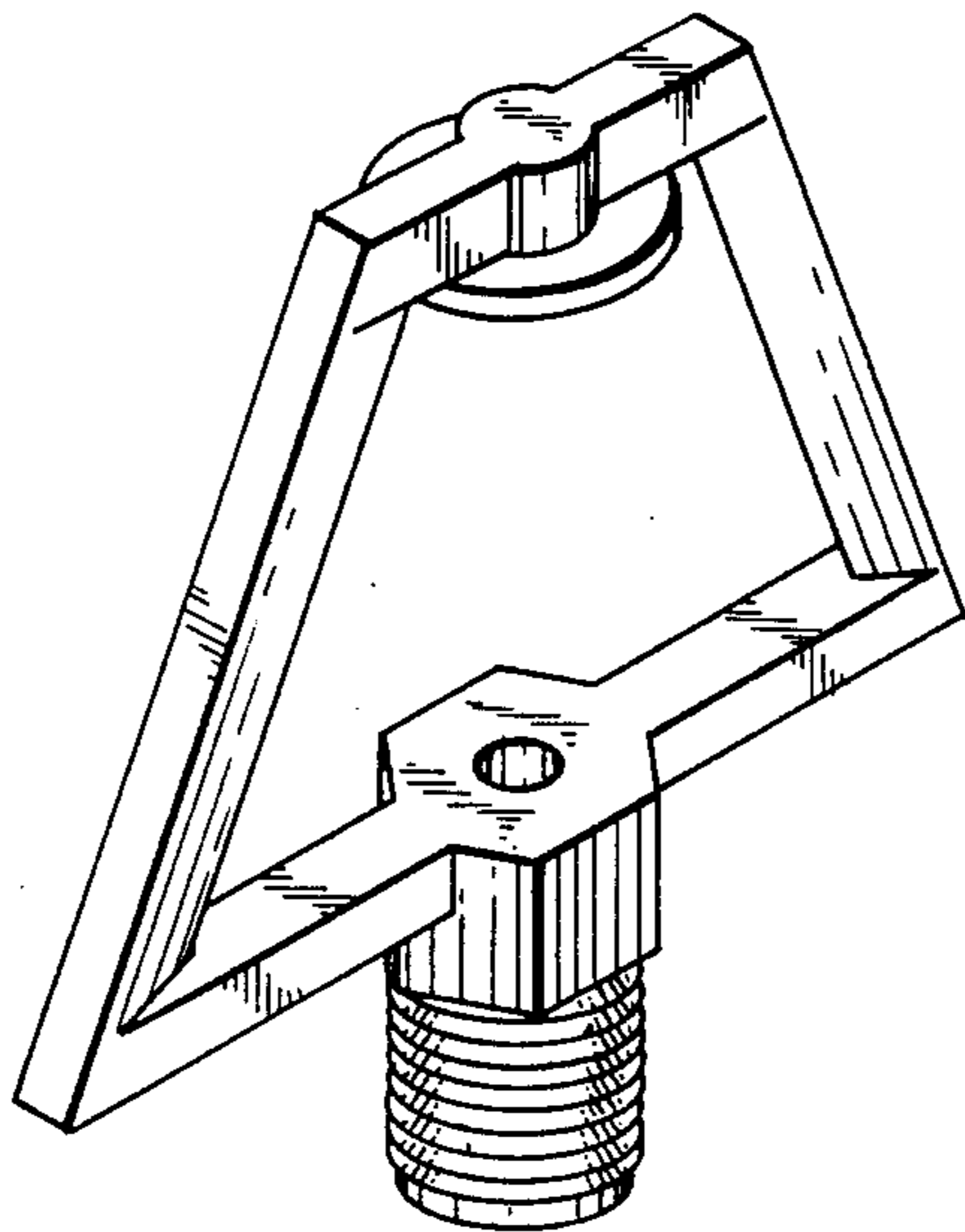


Fig. 2.

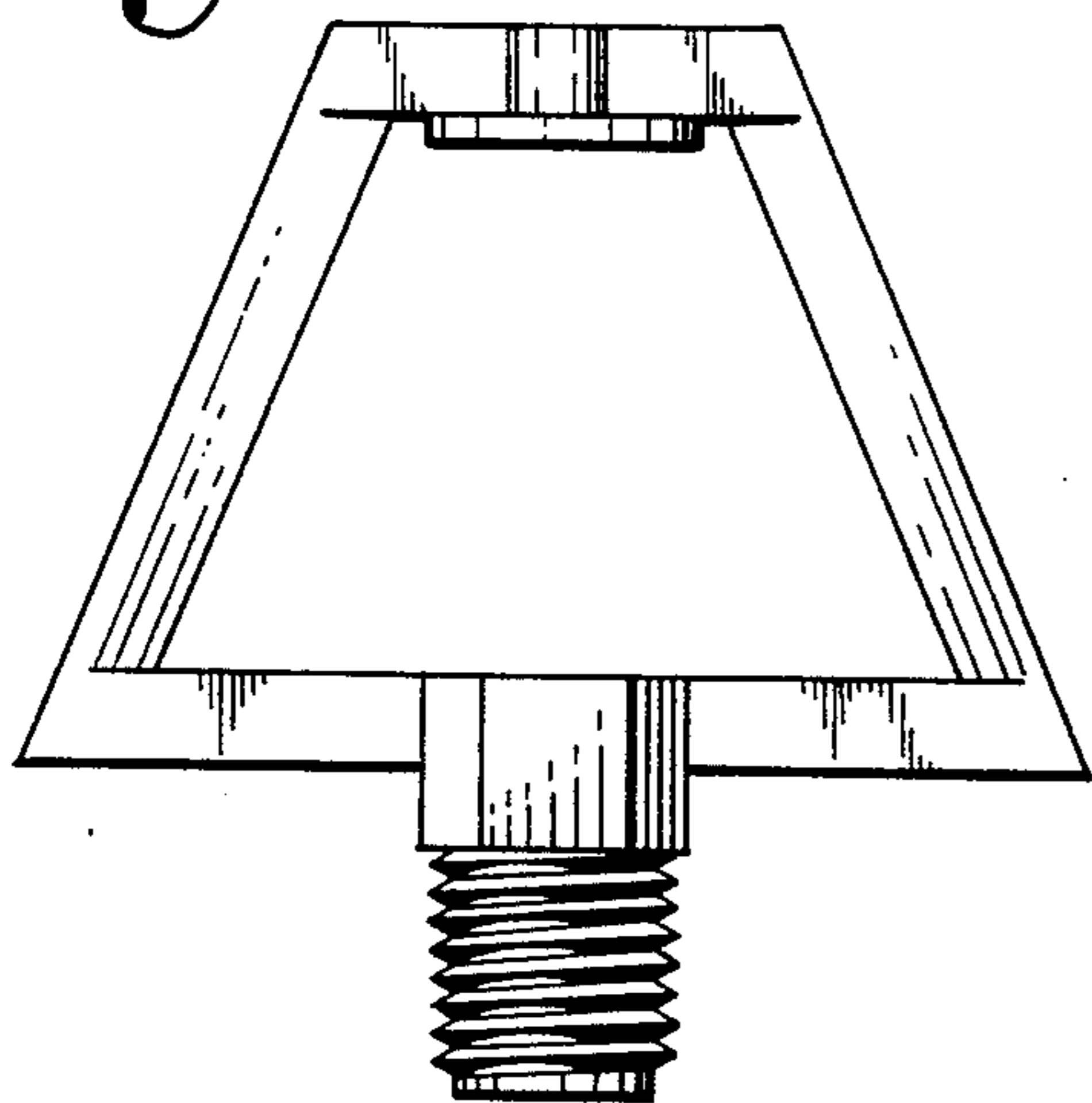


Fig. 3.

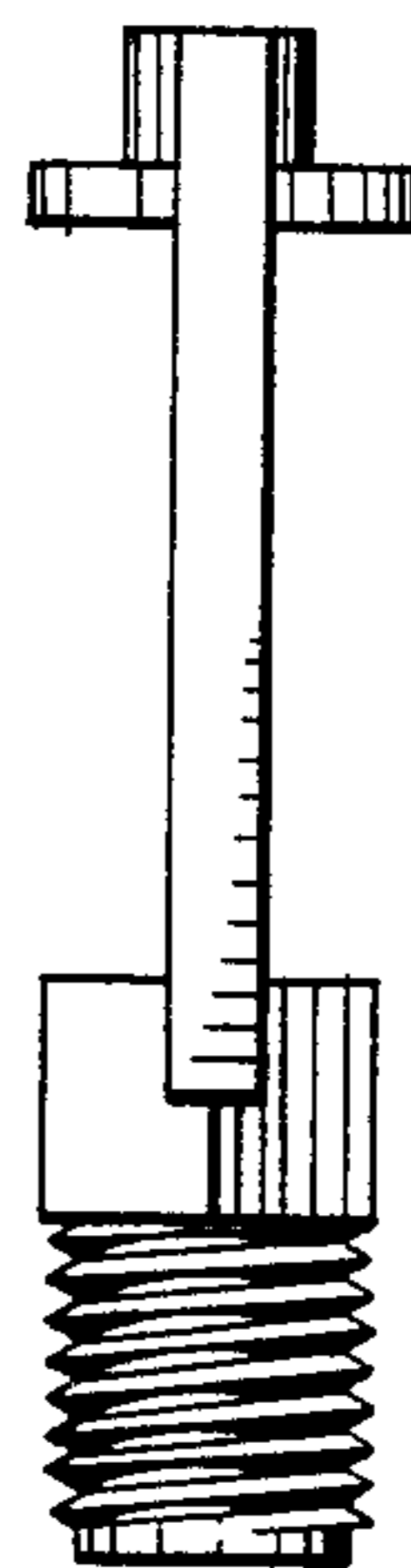


Fig. 4.

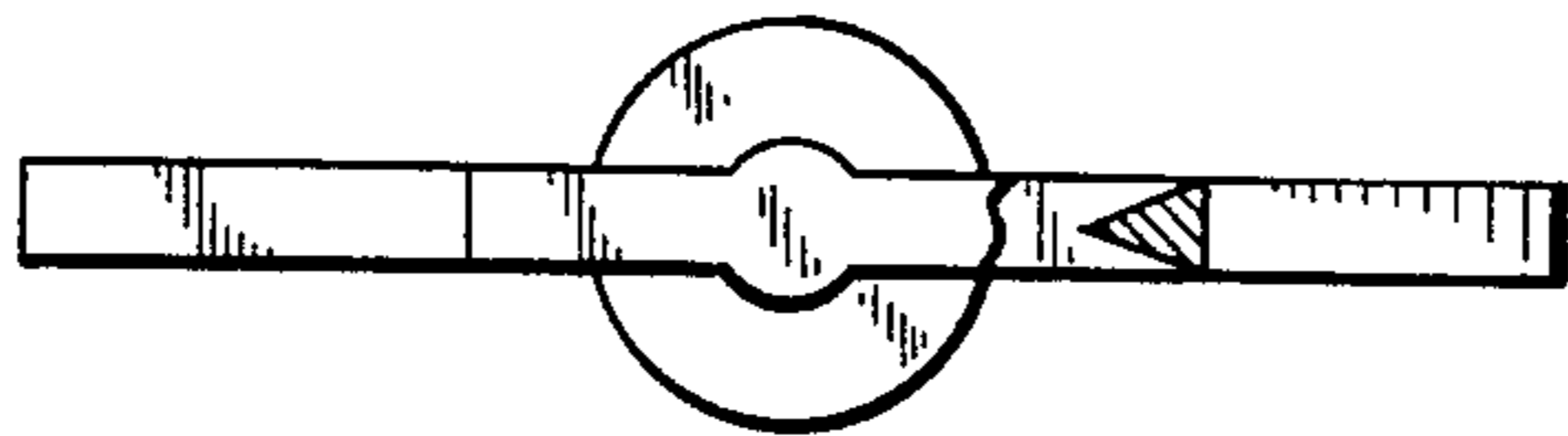


Fig. 5.

