

[54] **IRRIGATION SPRAY NOZZLE**

[76] **Inventors:** Carl E. Addison; Rocky J. Comes,
both of R.R. 1, Cimarron, Kans.
67835

[**] **Term:** 14 Years

[21] **Appl. No.:** 58,003

[22] **Filed:** Jul. 16, 1979

921,205	5/1909	Cramer	239/524
1,401,176	12/1921	Miller	239/524
1,801,459	4/1937	Slauter	239/524 X
2,707,130	4/1955	Vernon	137/344
2,741,510	4/1956	McCulloch	137/344
3,259,319	7/1966	Wallace	239/177
3,586,244	6/1971	Johnson	239/524
3,856,038	12/1974	Paul	137/344

Primary Examiner—James R. Largen
Attorney, Agent, or Firm—Fishburn, Gold and Litman

Related U.S. Application Data

[63] Continuation-in-part of Ser. No. 881,880, Feb. 27, 1978.

[51] **Int. Cl.** D23—01

[52] **U.S. Cl.** D23/35; D23/6

[58] **Field of Search** D23/6—12,
D23/34—38; 169/37—41; 239/523, 524

[57] **CLAIM**

The ornamental design for a irrigation spray nozzle, as shown.

DESCRIPTION

FIG. 1 is a perspective view of a irrigation spray nozzle embodying our design.

FIG. 2 is a front elevational view thereof.

FIG. 3 is a side elevational view thereof.

FIG. 4 is a top plan view thereof with a portion of one side broken away for convenience of illustration.

FIG. 5 is a bottom plan view thereof.

[56] **References Cited**
U.S. PATENT DOCUMENTS

D. 184,373 2/1959 Rider D23/6

D. 253,842 1/1980 Addison et al. D23/35

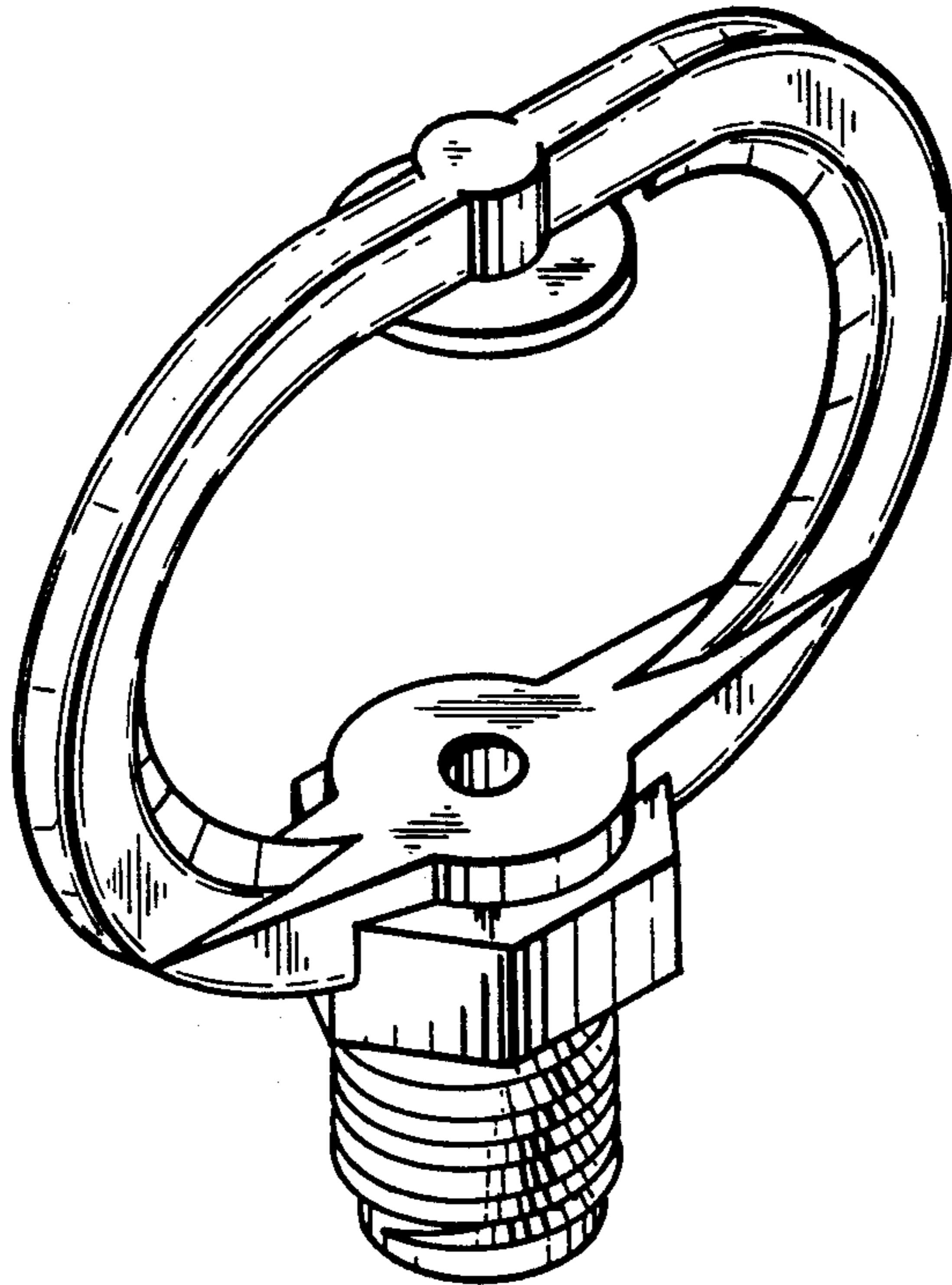


Fig. 1.

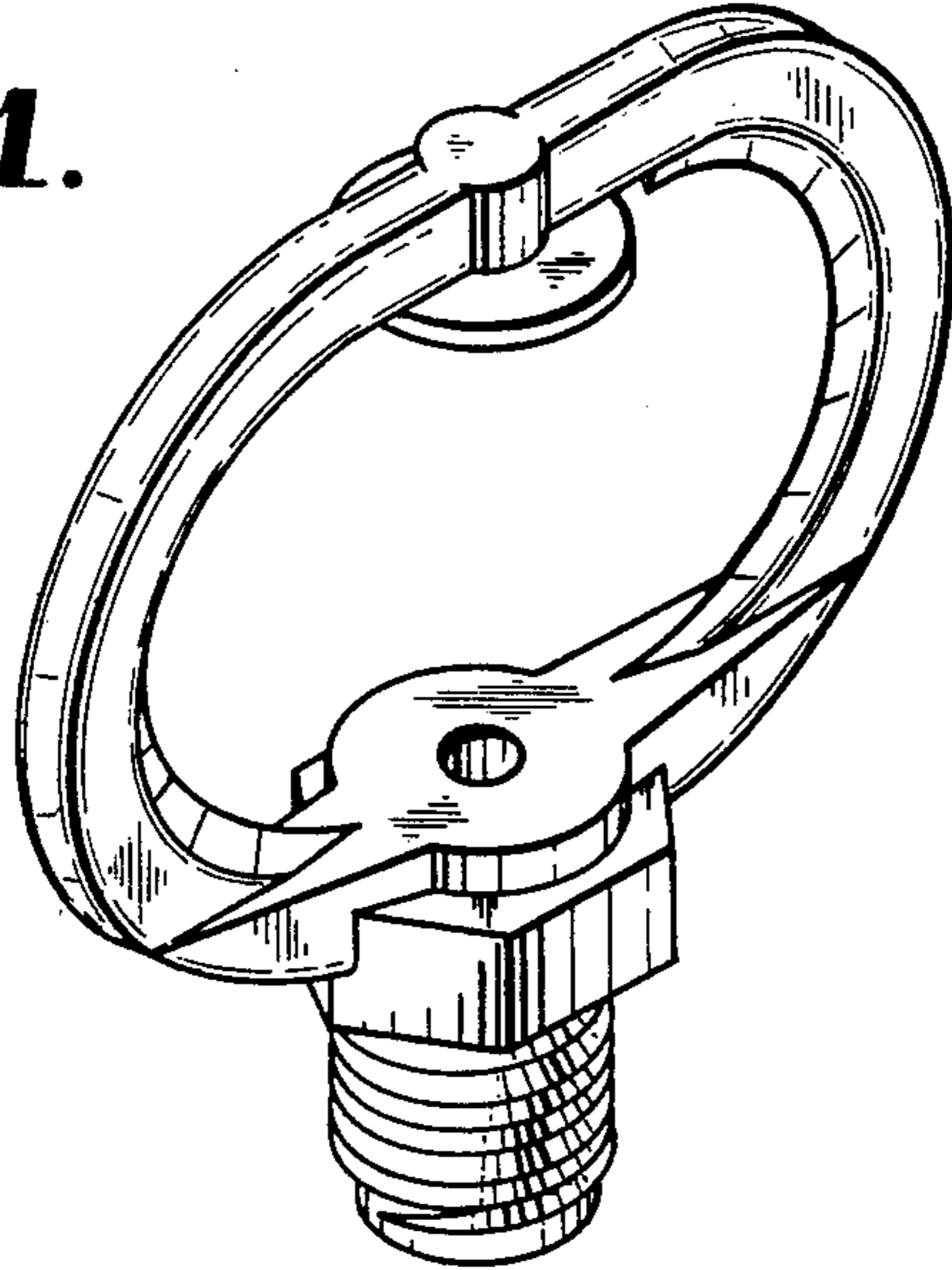


Fig. 2.

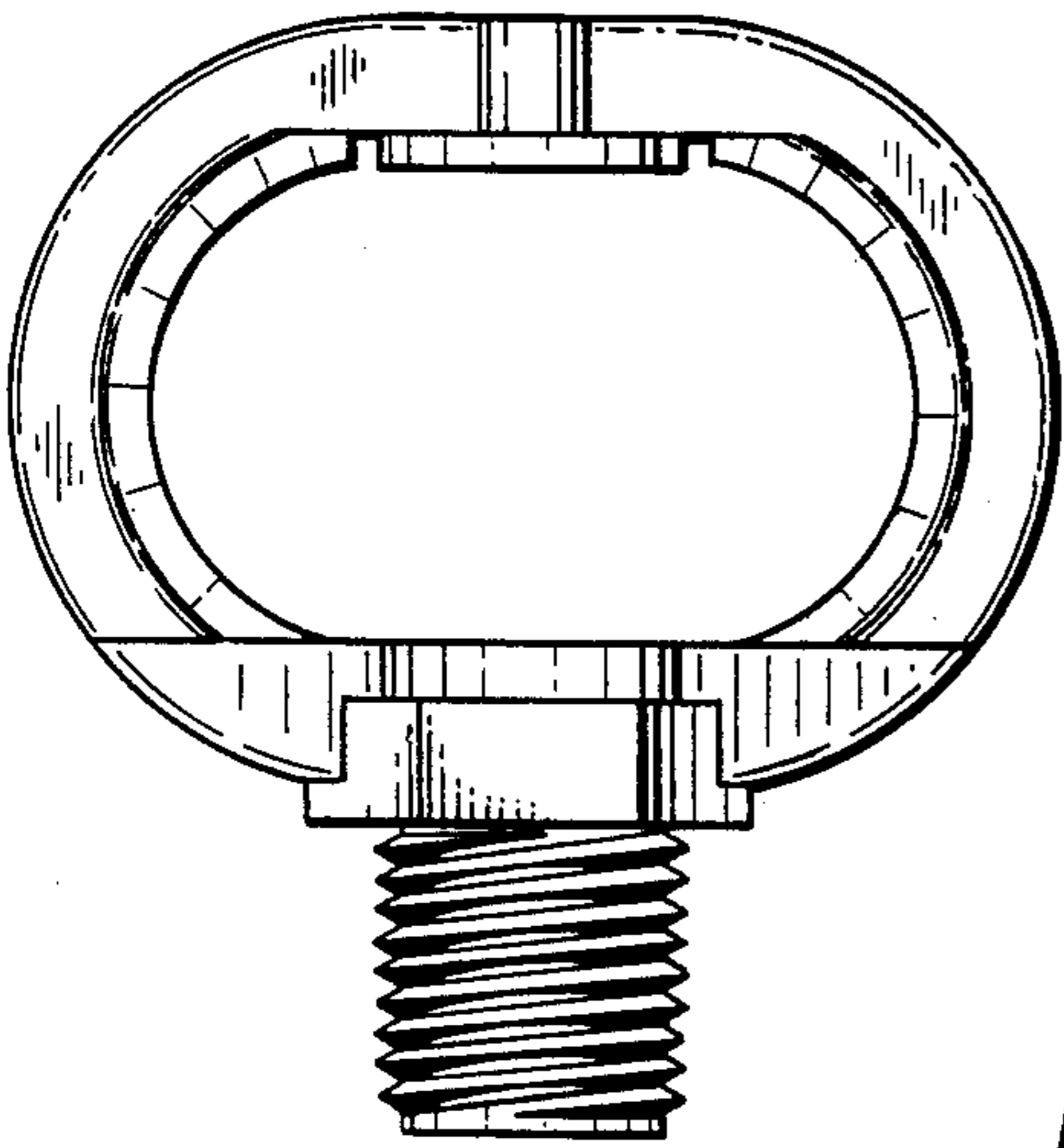


Fig. 3.

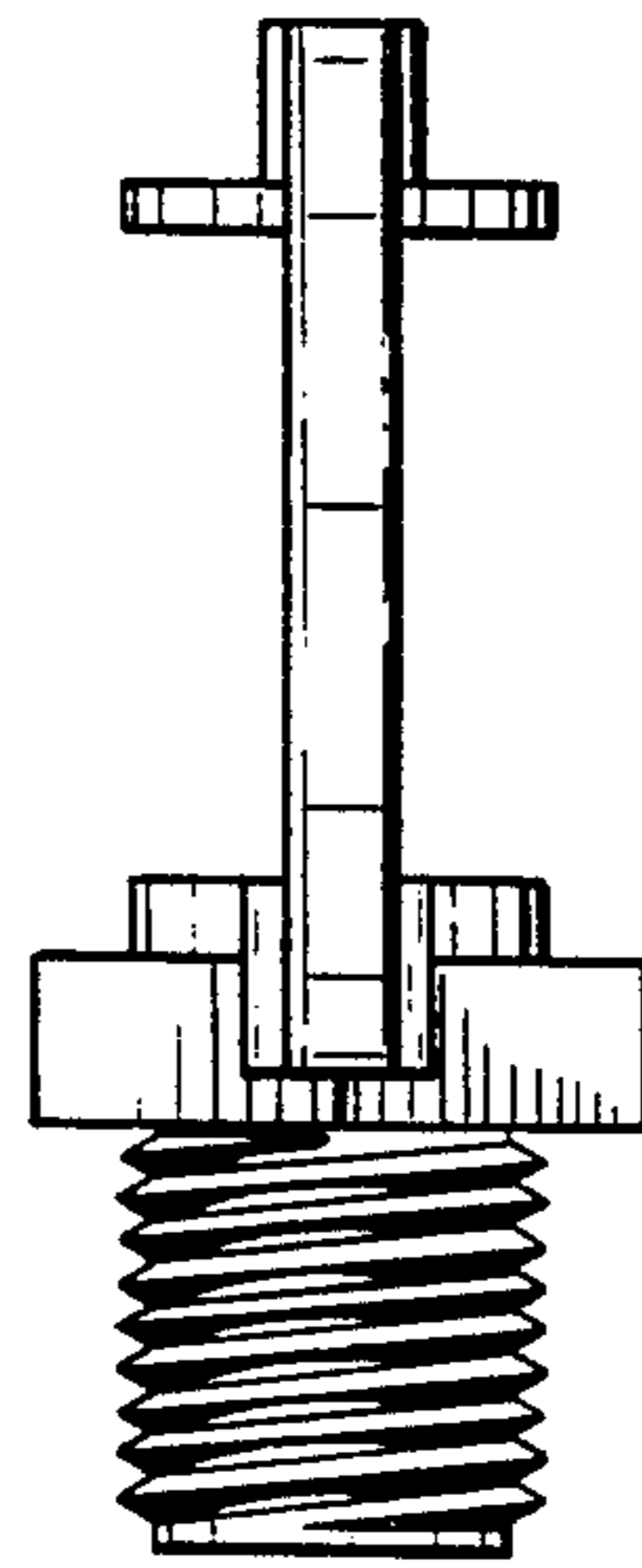


Fig. 4.

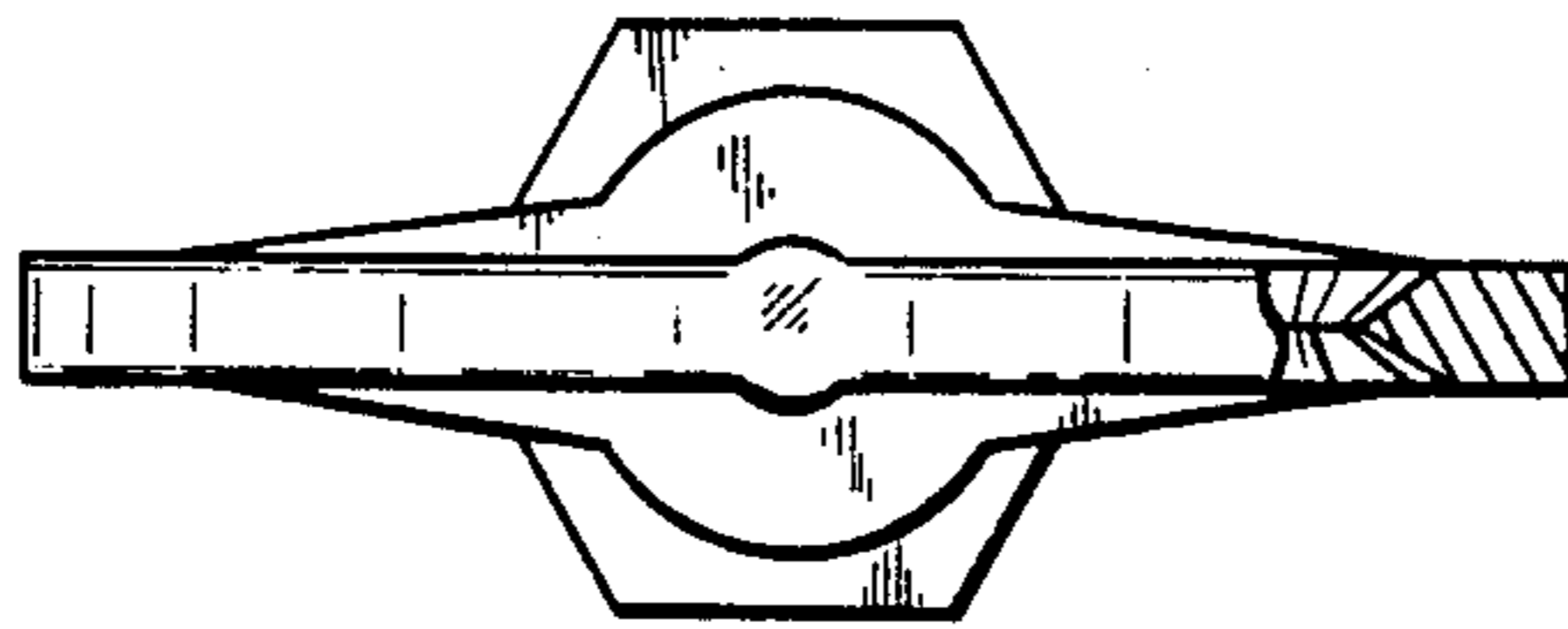


Fig. 5.

