

[54] TOY BABY BUGGY OR SIMILAR ARTICLE

D. 140,510 3/1945 MacCallum D21/134
2,512,995 6/1950 Berger 280/47.38 X

[75] Inventor: James R. Livesey, Fountain Valley, Calif.

Primary Examiner—Charles A. Rademaker
Attorney, Agent, or Firm—John G. Mesaros; Max E. Shirk; Ronald M. Goldman

[73] Assignee: Mattel, Inc., Hawthorne, Calif.

[**] Term: 14 Years

[57] CLAIM

[21] Appl. No.: 12,524

The ornamental design for a toy baby buggy or similar article, as shown and described.

[22] Filed: Feb. 15, 1979

[51] Int. Cl. D21—01

[52] U.S. Cl. D21/134; D12/128

[58] Field of Search D21/71, 76, 134;
D12/31, 32, 34, 128, 130, 129, 131; 280/47.38;
46/201, 202, 222

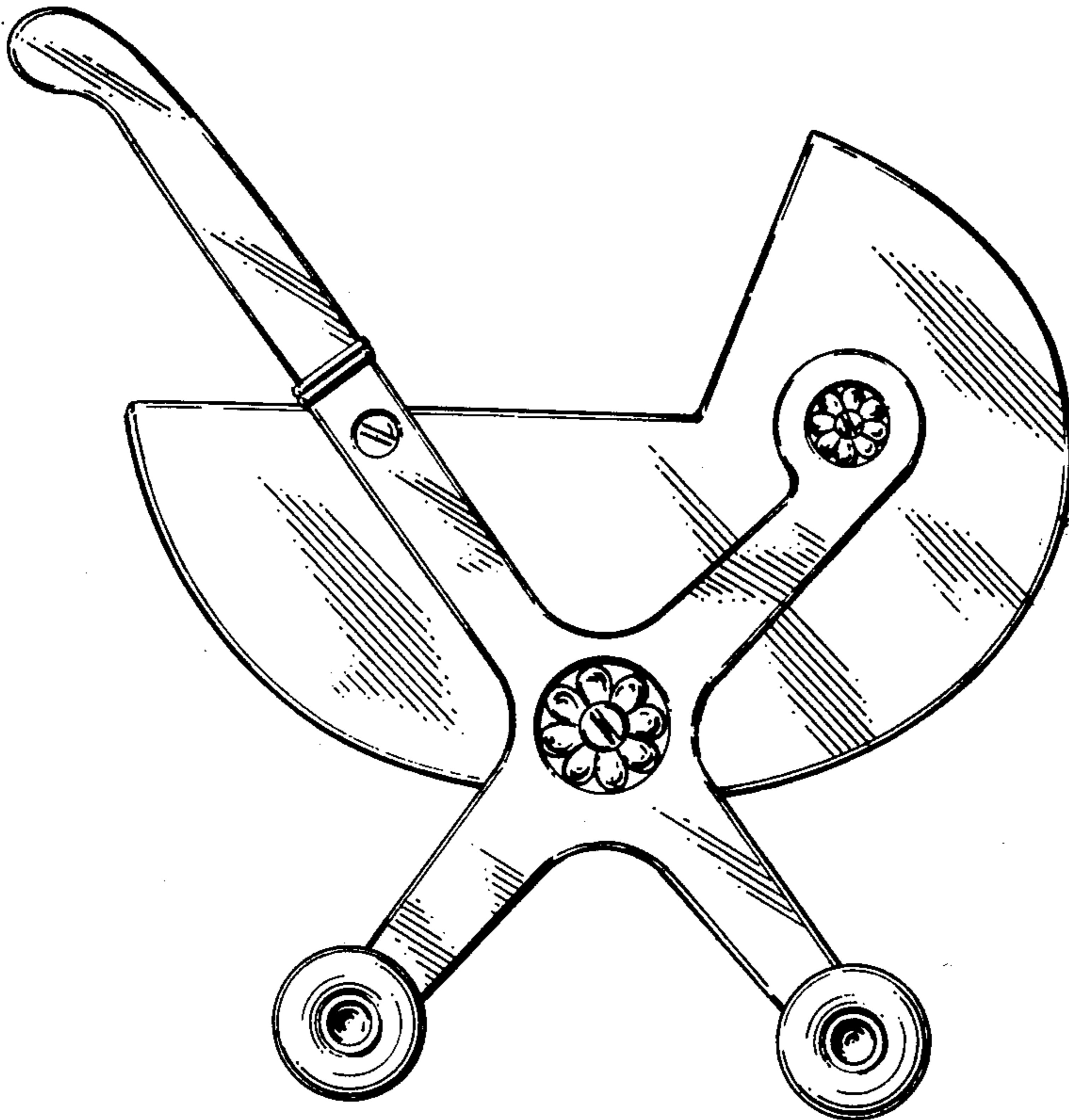
DESCRIPTION

FIG. 1 is a side elevational view of a toy baby buggy or similar article, showing my new design, the opposite side being substantially a mirror image thereof; FIG. 2 is an end elevational view as viewed from the left end of FIG. 1; FIG. 3 is an end elevational view as viewed from the right end of FIG. 1; FIG. 4 is a top plan view; and, FIG. 5 is a bottom plan view.

[56] References Cited

U.S. PATENT DOCUMENTS

D. 137,707 4/1944 Fink D12/128



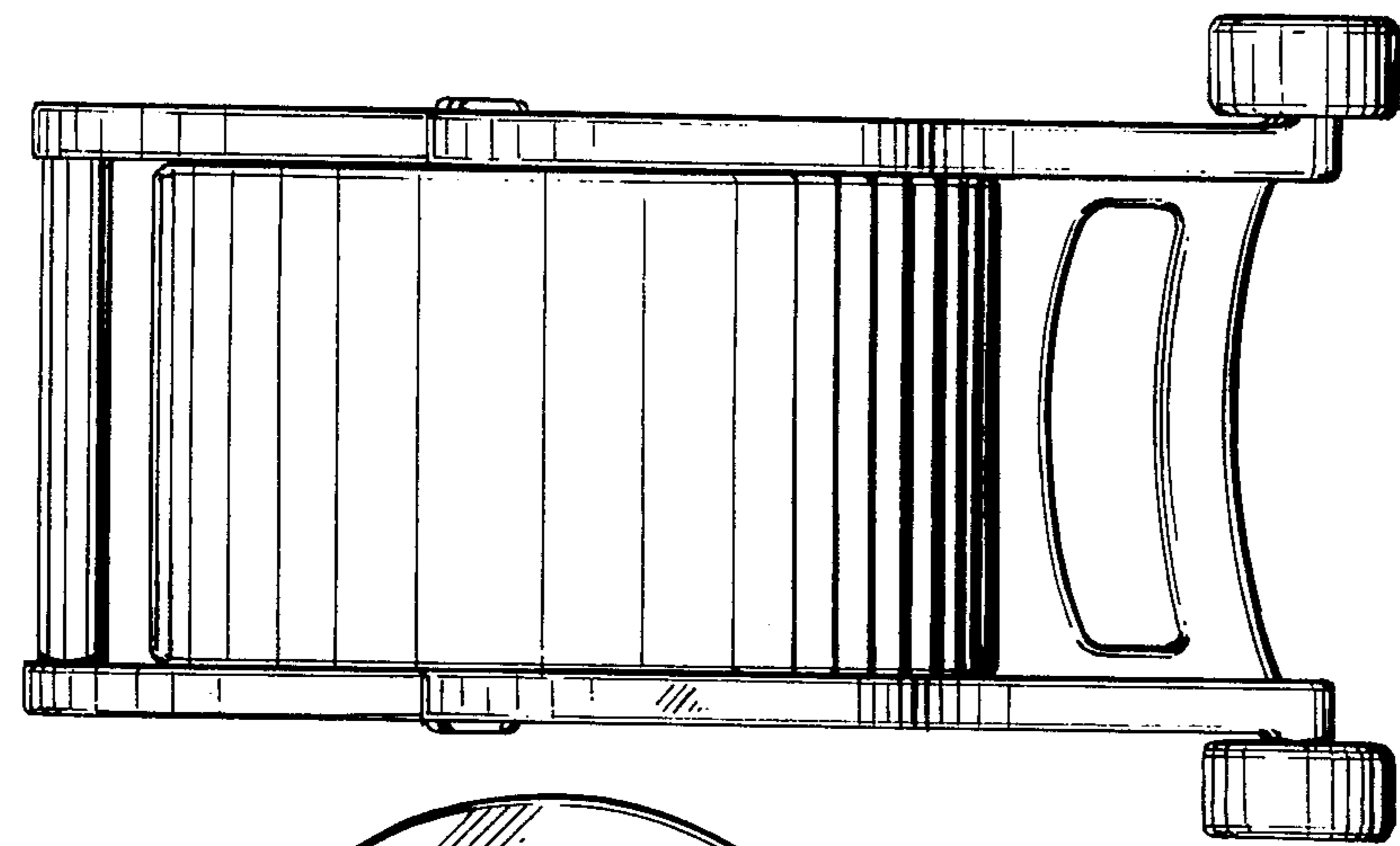


FIG. 3

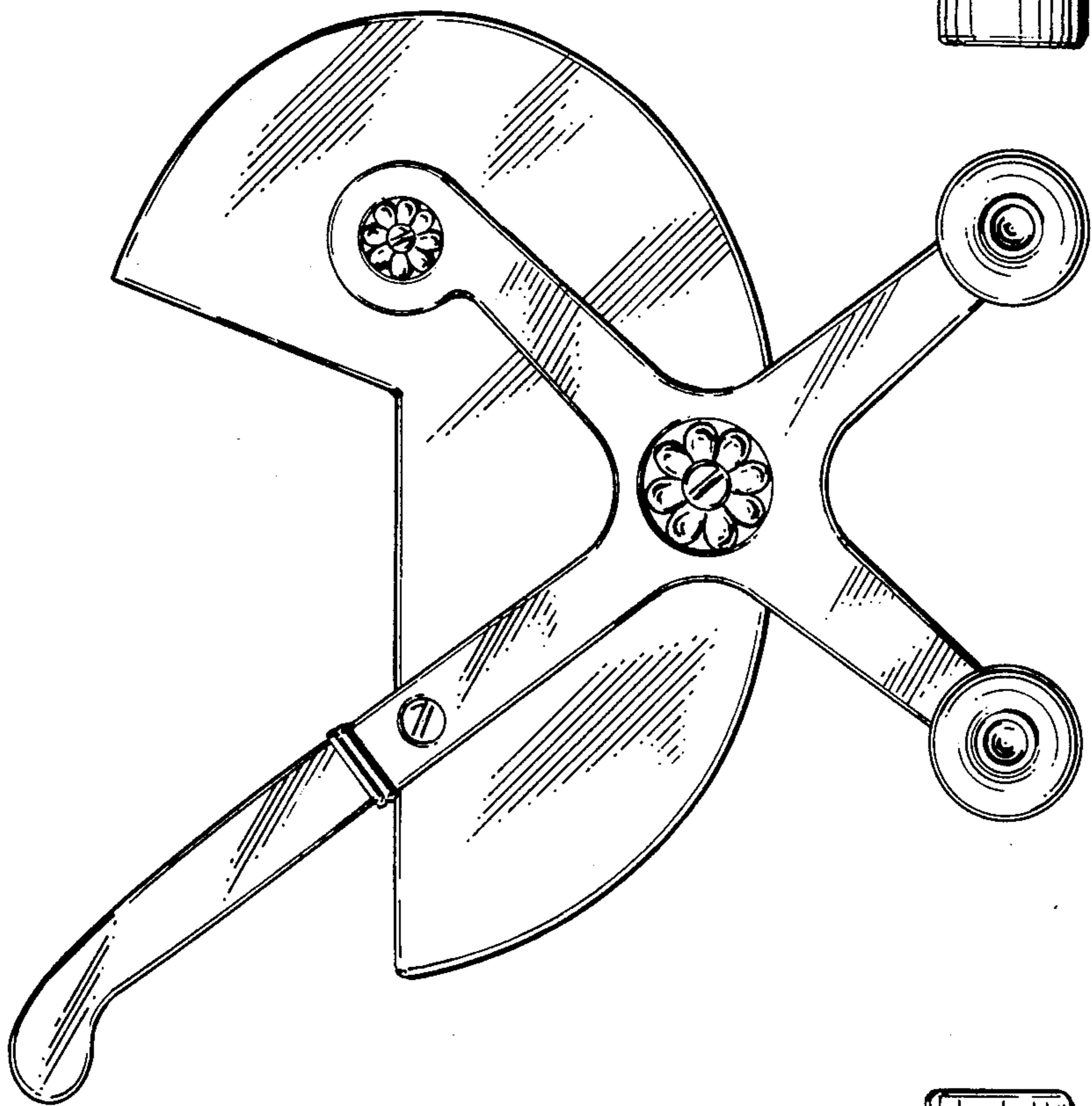


FIG. 1

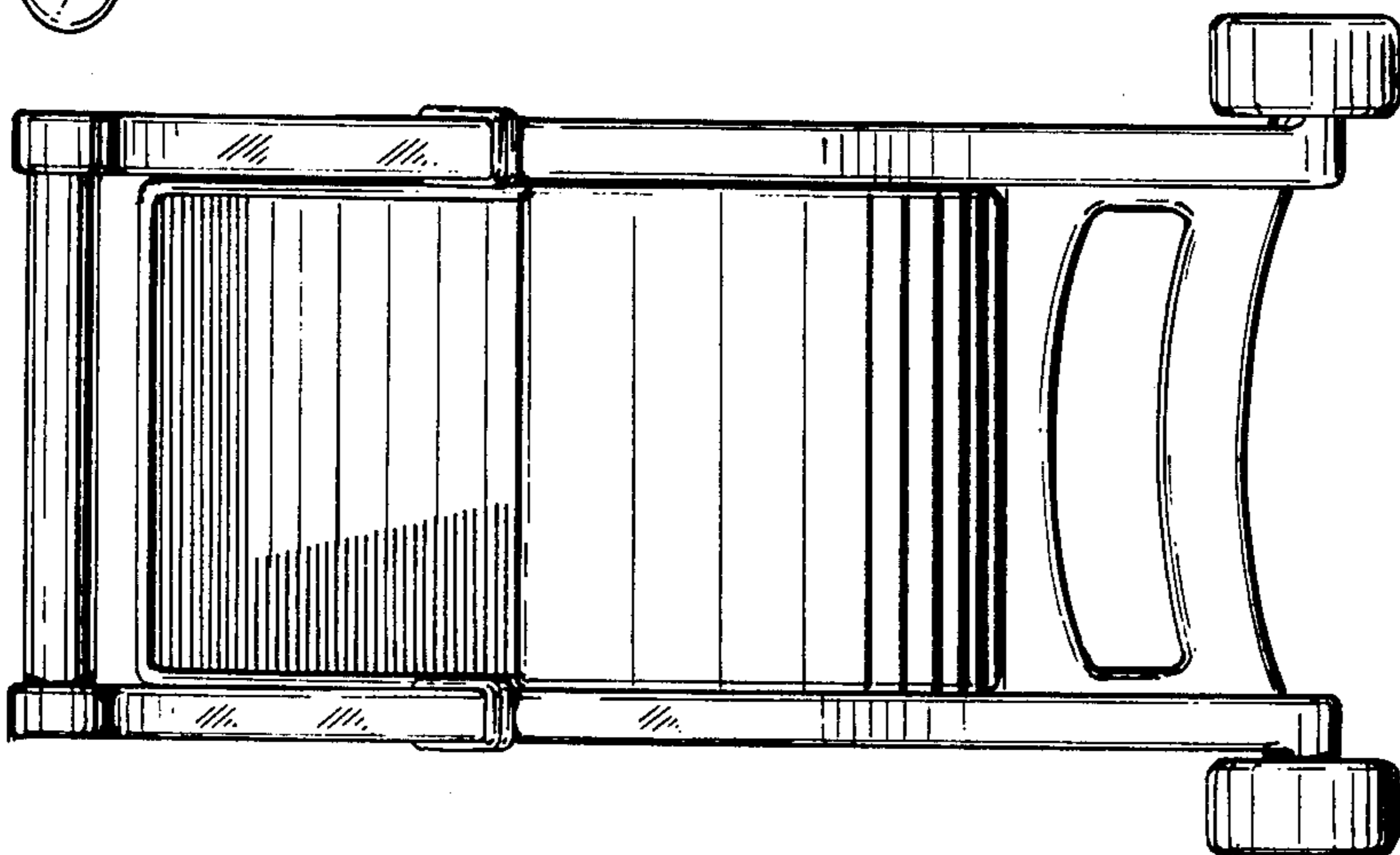


FIG. 2

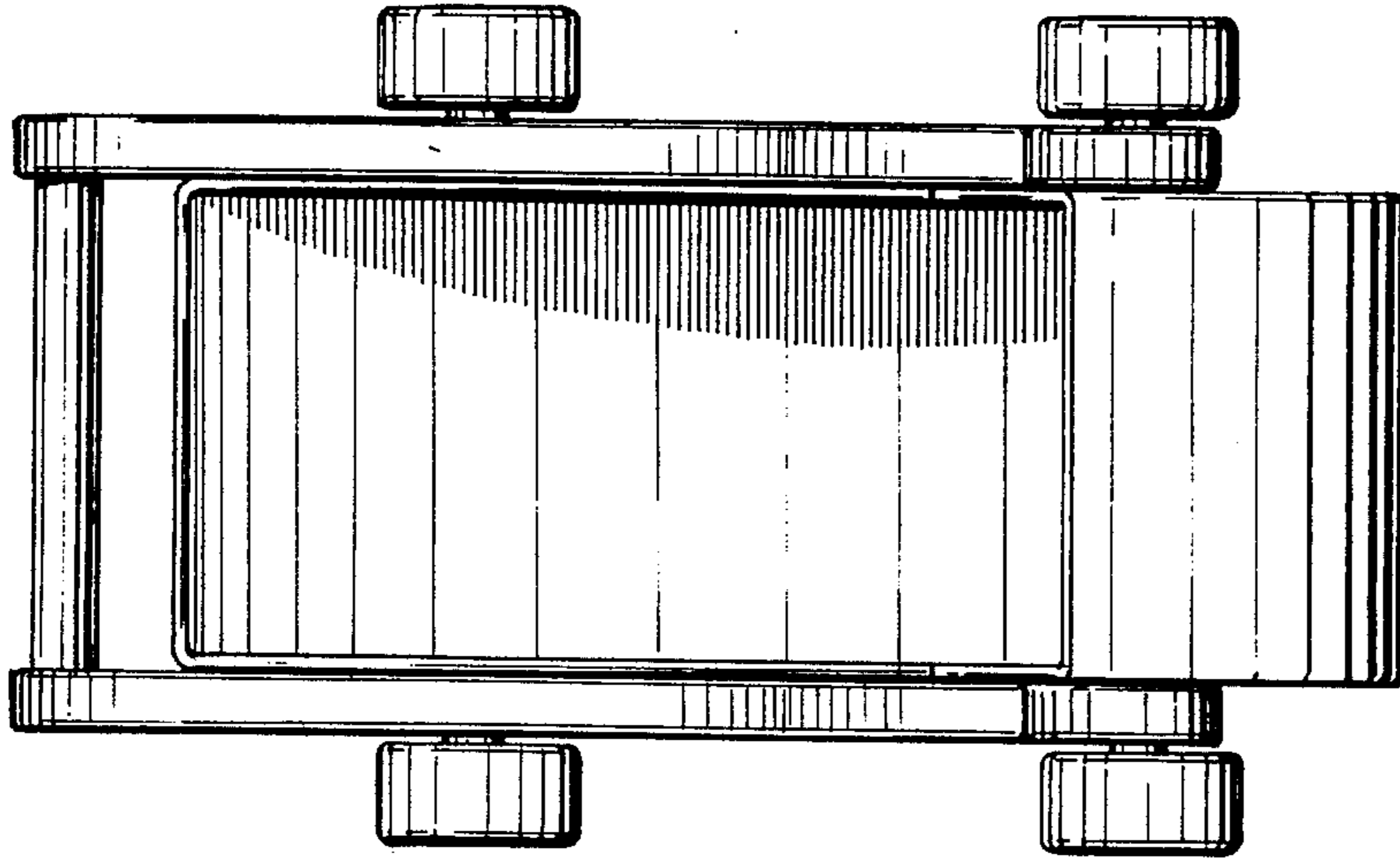


FIG. 4

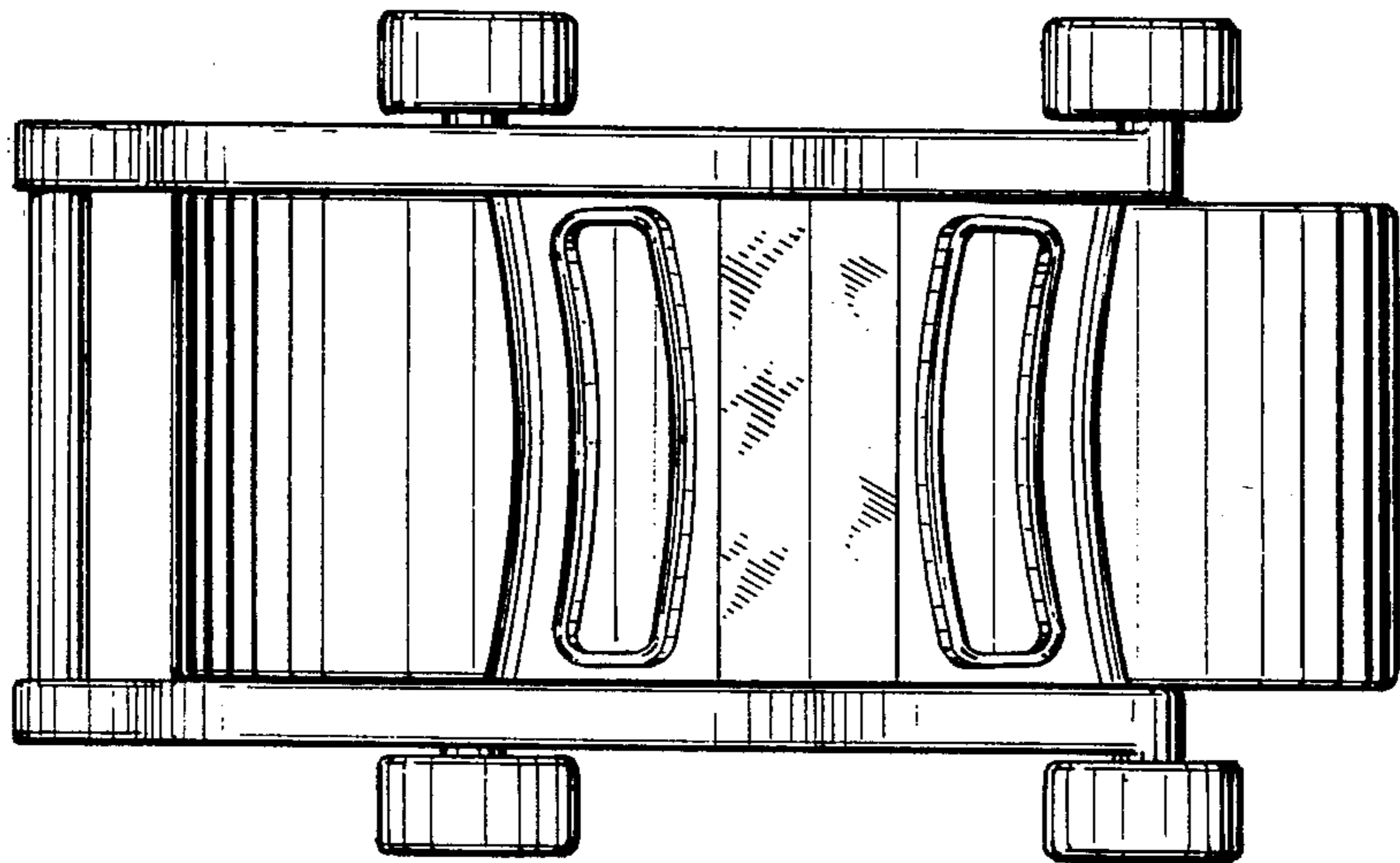


FIG. 5