

[54] TOY VEHICLE

[75] Inventors: William K. Burtoft, Cincinnati, Ohio; Thomas J. Troy, Eden Prairie, Minn.

[73] Assignee: CPG Products Corp., Minneapolis, Minn.

[**] Term: 14 Years

[21] Appl. No.: 45,029

[22] Filed: Jun. 4, 1979

[51] Int. Cl. D21-01

[52] U.S. Cl. D21/128; D21/131

[58] Field of Search 46/201, 202, 222, 211; D12/1, 12; D21/76, 78, 79, 128, 134, 136, 137, 139, 140

[56]

References Cited

U.S. PATENT DOCUMENTS

D. 192,088	1/1962	Alvaney	D21/139
D. 193,771	10/1962	Bauer	D12/12
D. 218,886	10/1970	Plessinger	D12/12
3,917,270	11/1975	Gothard et al.	D21/131

Primary Examiner—Charles A. Rademaker
Attorney, Agent, or Firm—L. M. Lillehaugen; G. O. Enockson

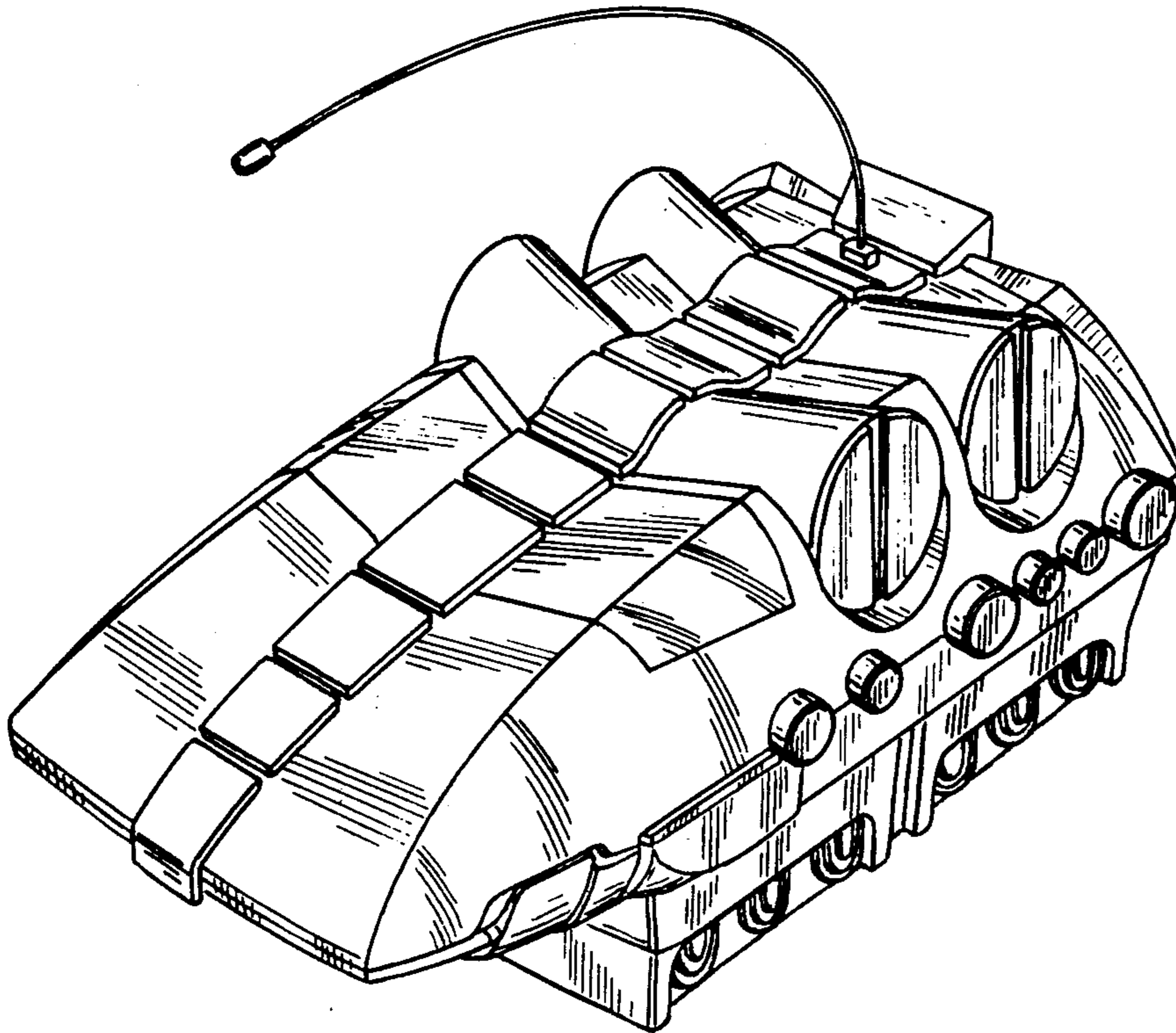
[57]

CLAIM

The ornamental design for a toy vehicle, substantially as shown and described.

DESCRIPTION

FIG. 1 is a perspective view of a toy vehicle showing our new design;
FIG. 2 is a top plan view thereof;
FIG. 3 is a right side elevational view thereof, the side opposite being substantially a mirror image;
FIG. 4 is a bottom plan view thereof;
FIG. 5 is a front elevational view thereof; and
FIG. 6 is a rear elevational view thereof.



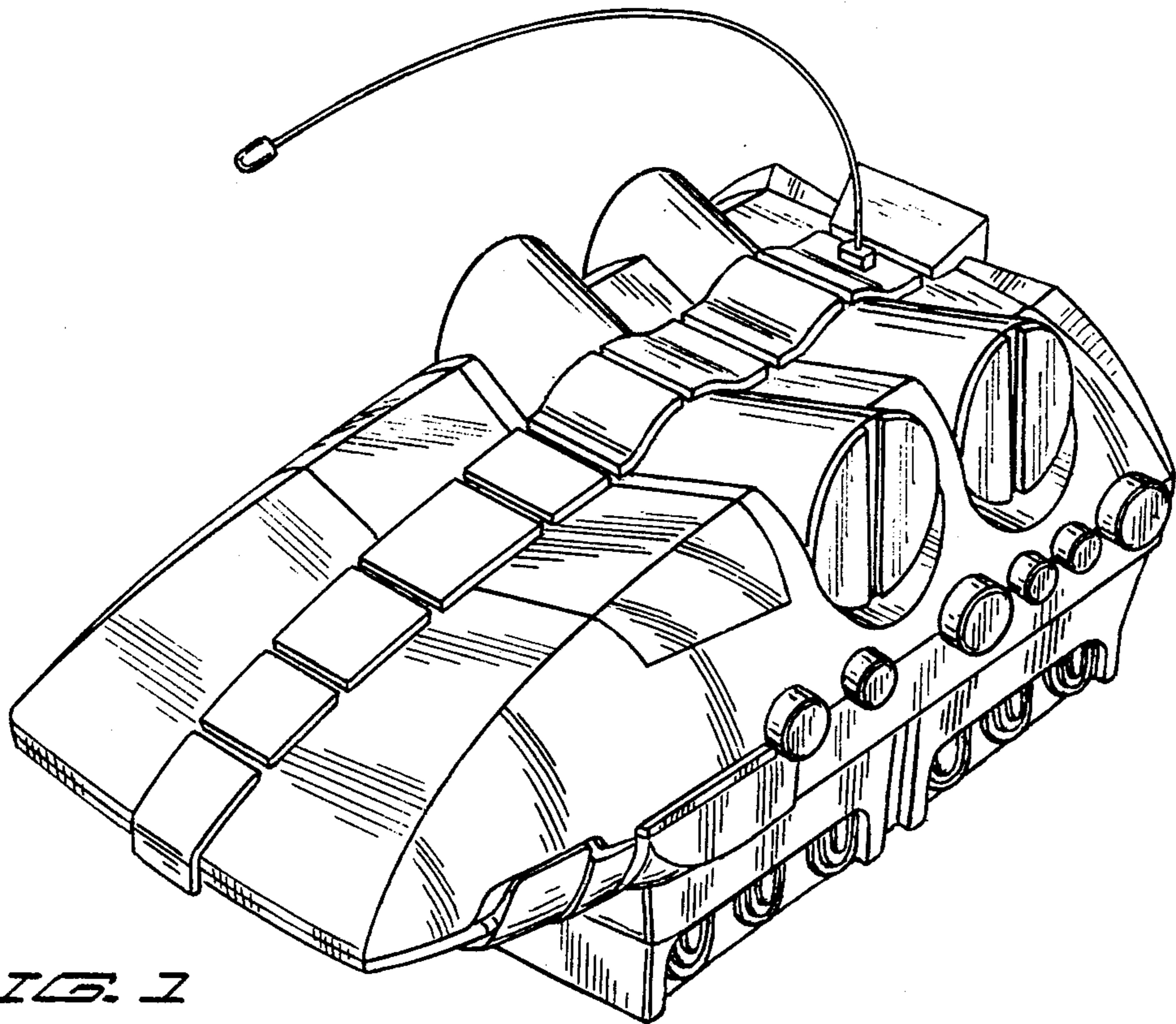


FIG. 1

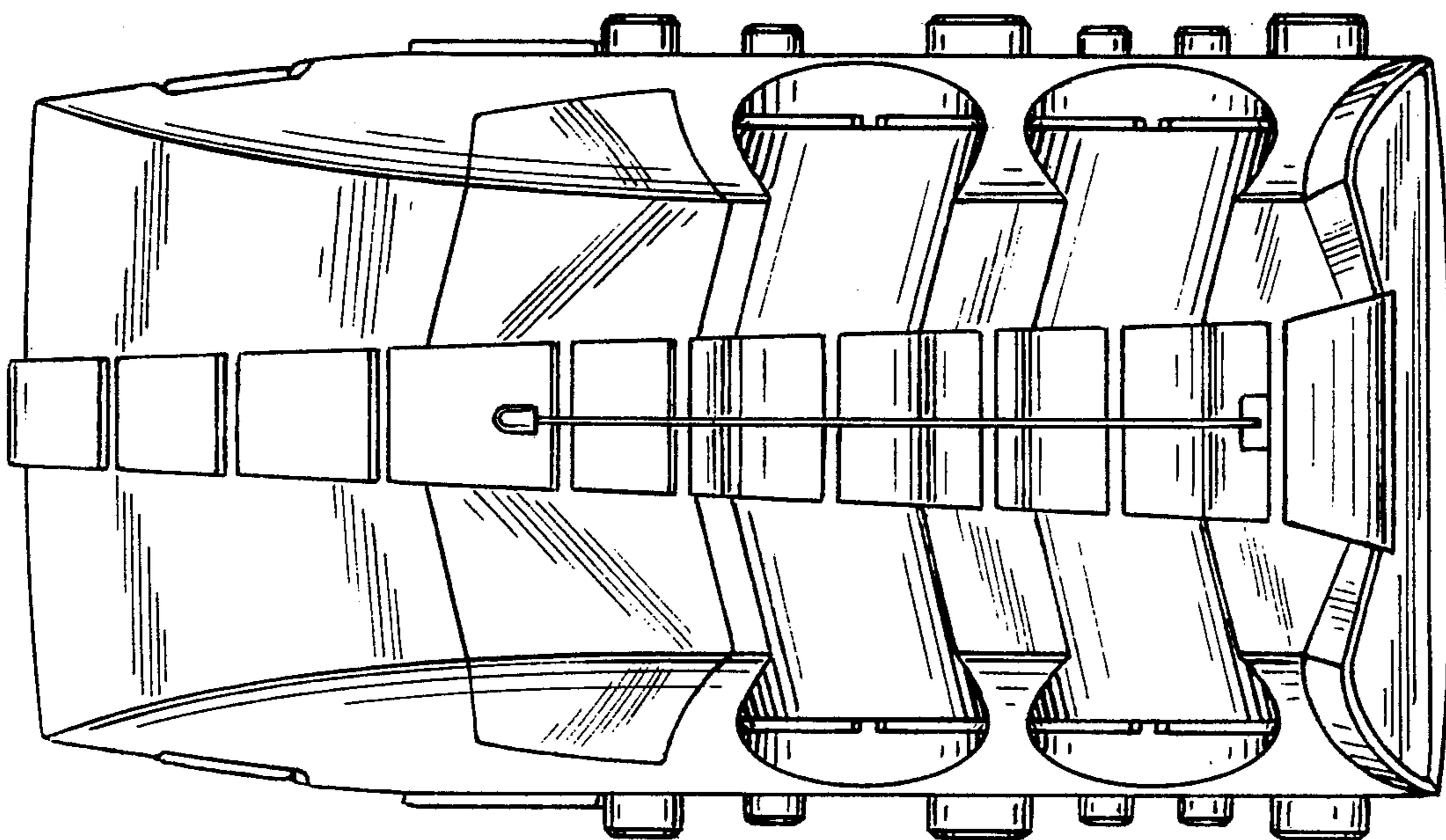


FIG. 2

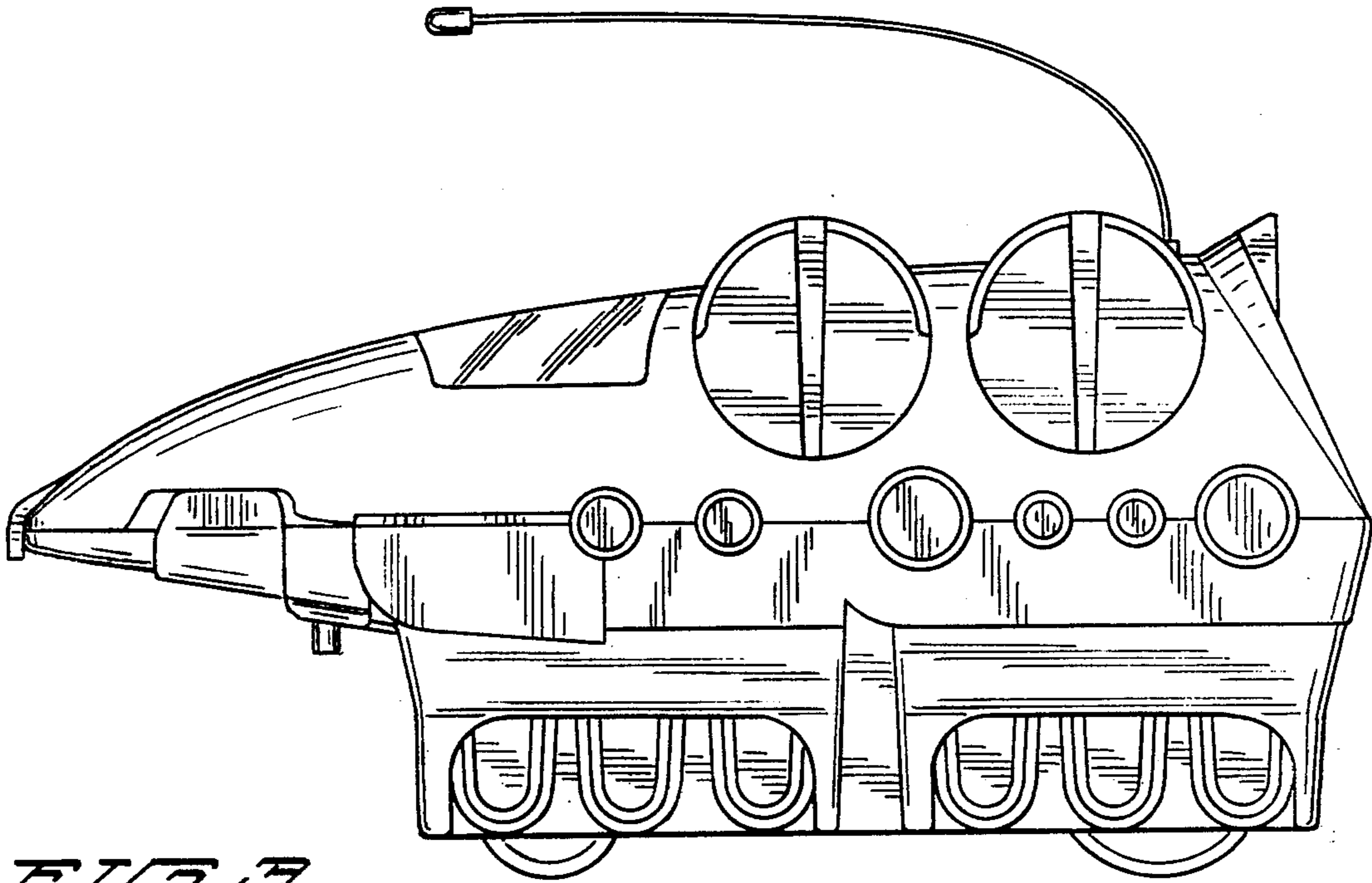


FIG. 3

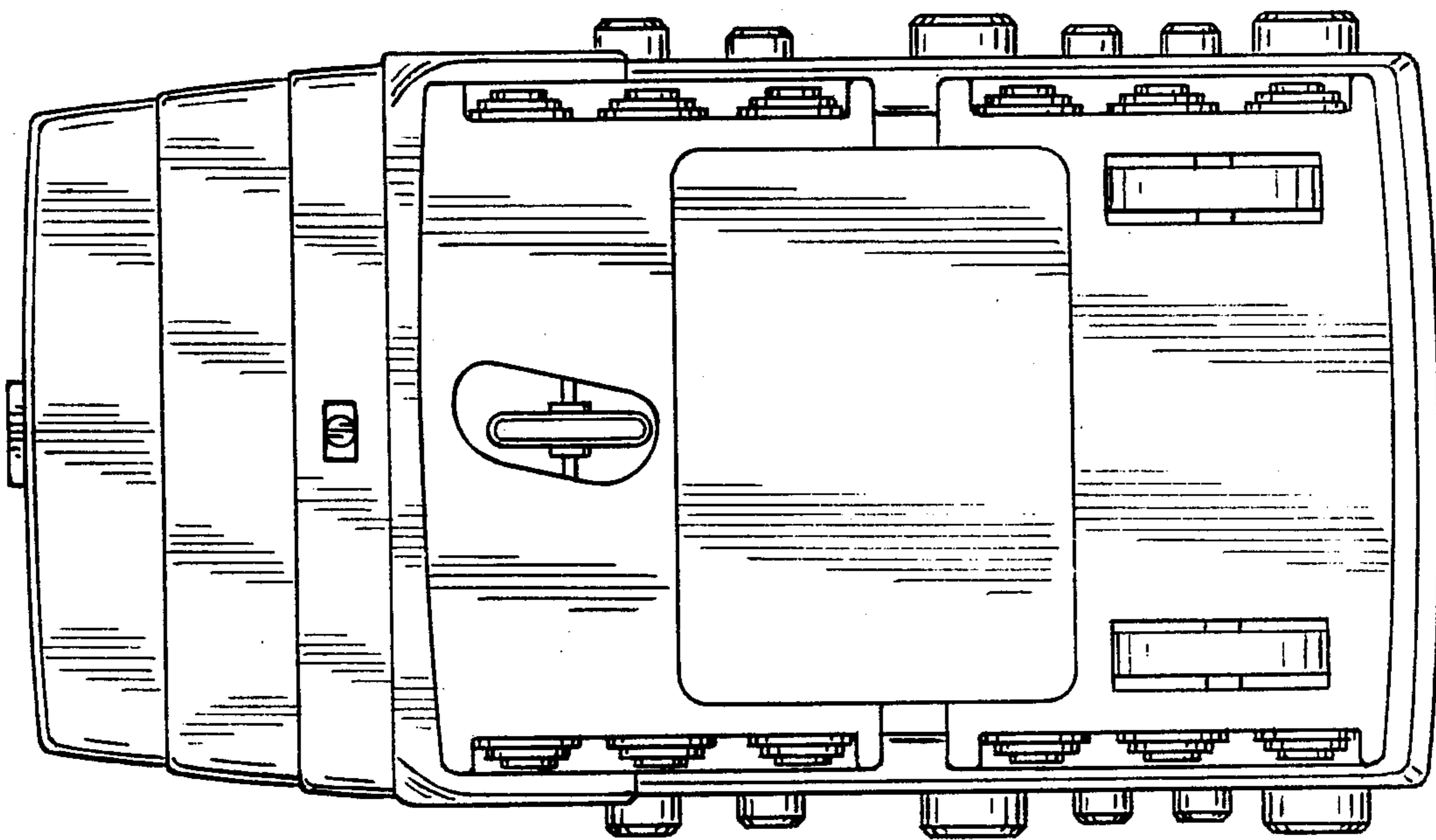


FIG. 4

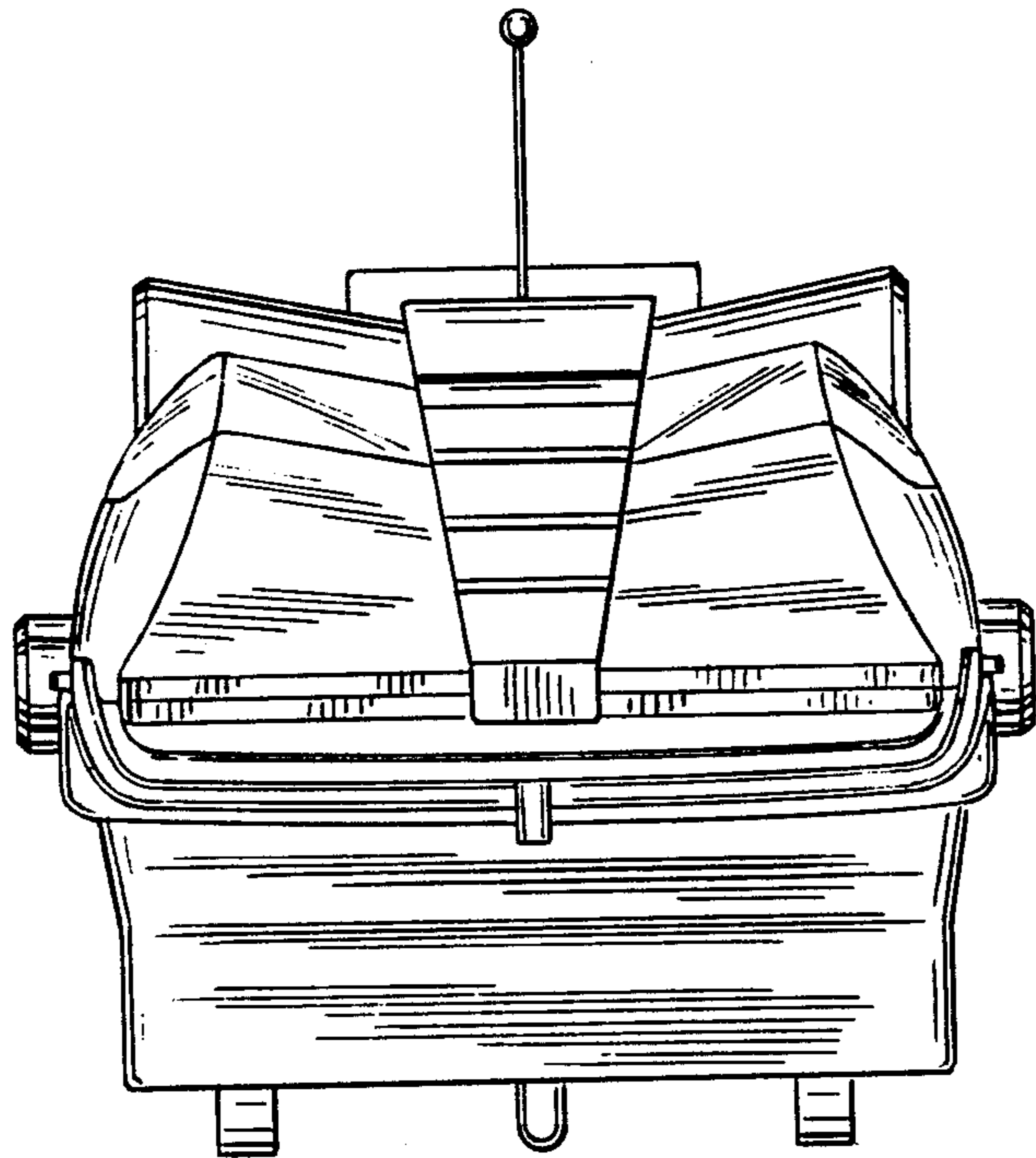


FIG. 5

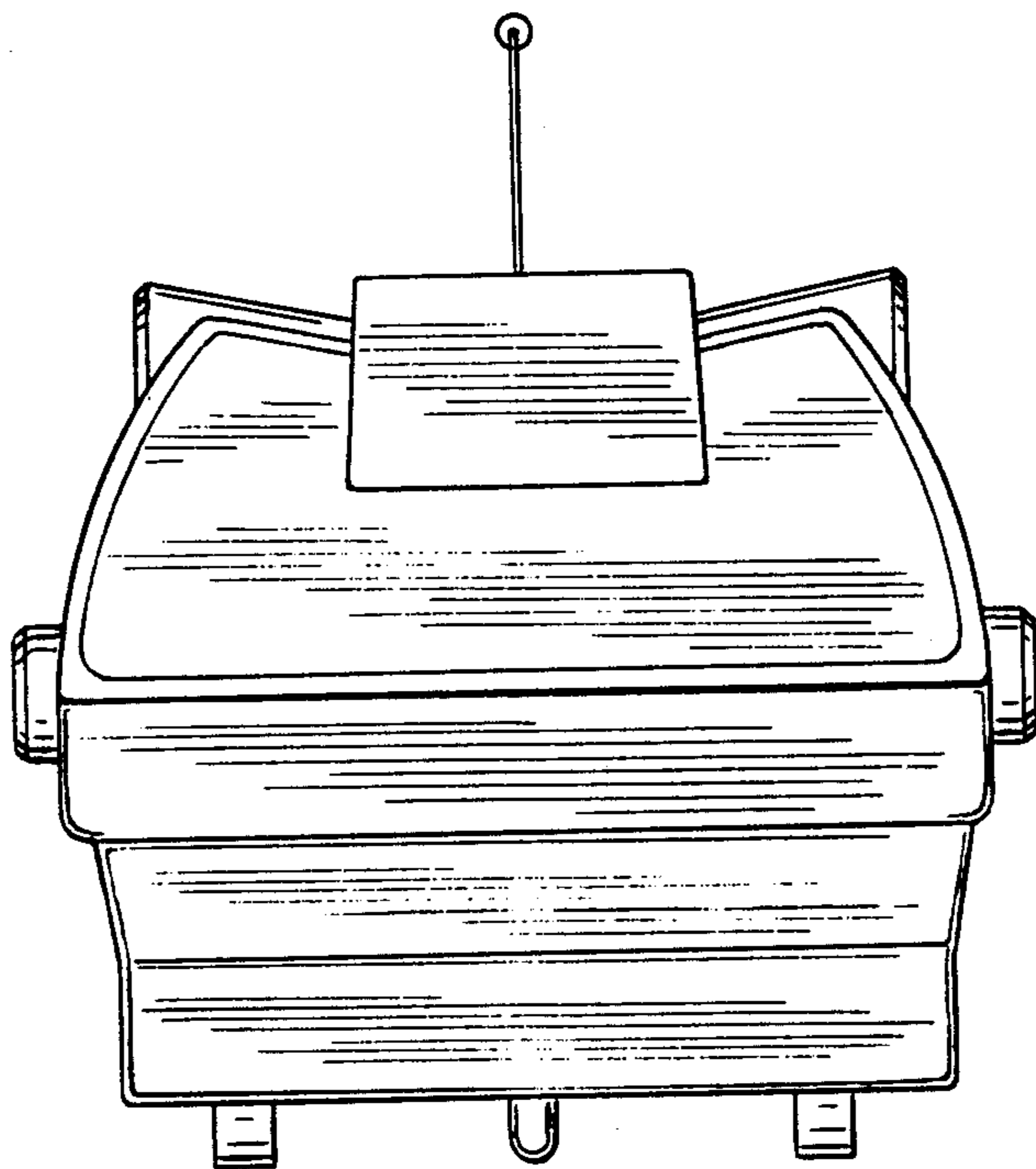


FIG. 6