

[54] ANGLED STRUCTURAL CONNECTOR

[76] Inventor: Wayne Ruga, 2163D Coosawattee Rd., Atlanta, Ga. 30319

[**] Term: 14 Years

[21] Appl. No.: 822,784

[22] Filed: Aug. 8, 1977

[51] Int. Cl. D21-01

[52] U.S. Cl. D21/108; D8/354; D8/366; D8/382; D25/61

[58] Field of Search D21/104, 105, 107, 108; 46/16-18, 23-32; D25/60, 70, 77, 78, 99; 52/282, 285, 648, 650, 645, 665; 403/170, 248, 251, 316, 176, 171, 169, 178, 217; D8/349, 354, 366, 382

[56]

References Cited

U.S. PATENT DOCUMENTS

1,368,176 2/1921 McMillan 46/17
3,270,478 9/1966 Attwood 46/29

FOREIGN PATENT DOCUMENTS

838537 6/1960 United Kingdom 403/170

Primary Examiner—Charles A. Rademaker
Attorney, Agent, or Firm—B. J. Powell

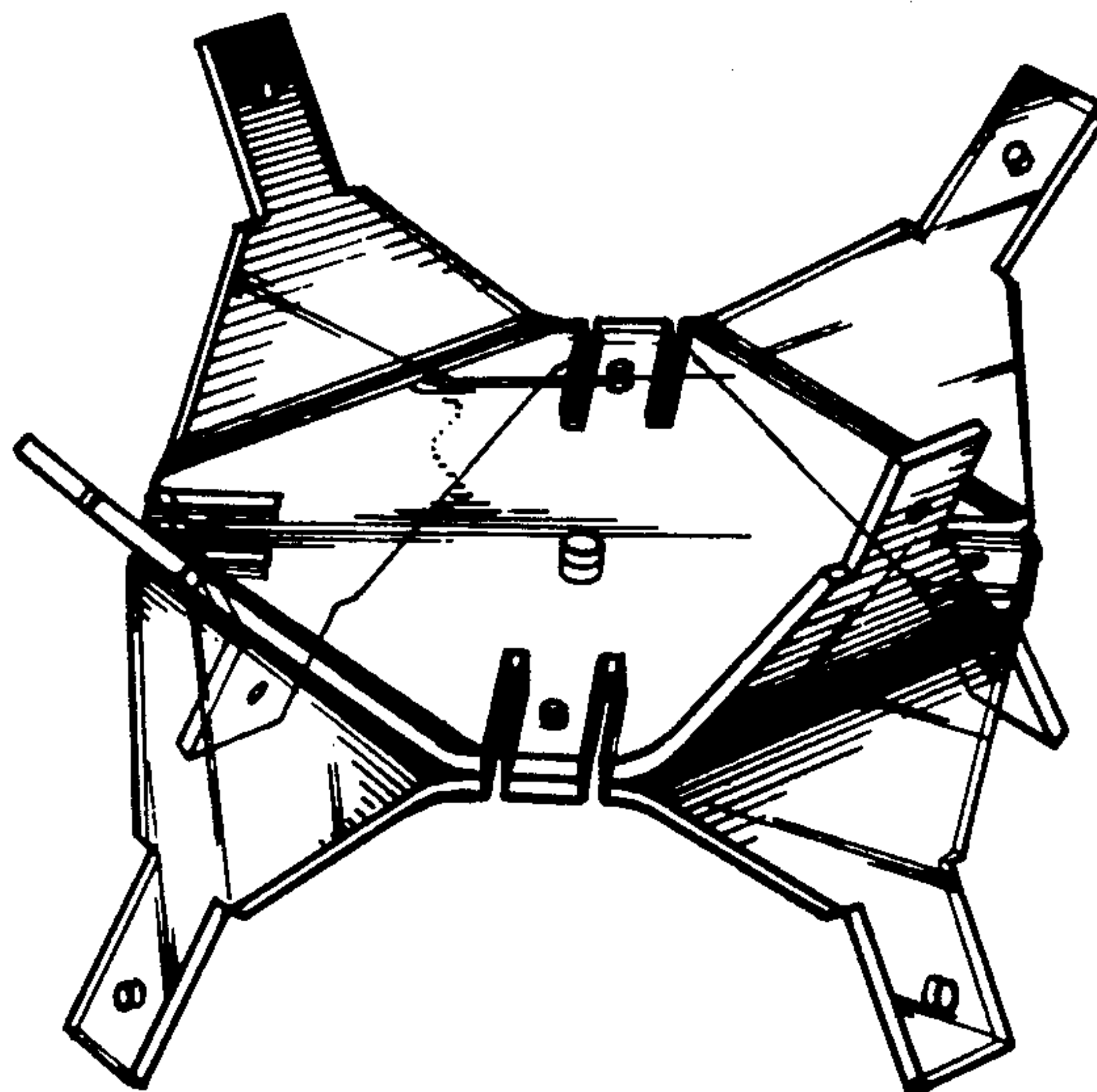
[57]

CLAIM

The ornamental design for an angled structural connector, substantially as shown and described.

DESCRIPTION

FIG. 1 is a perspective view of a structural connector showing my new design, the side opposite being substantially a mirror image; and, FIG. 2 is another perspective view thereof shown in an exploded condition.



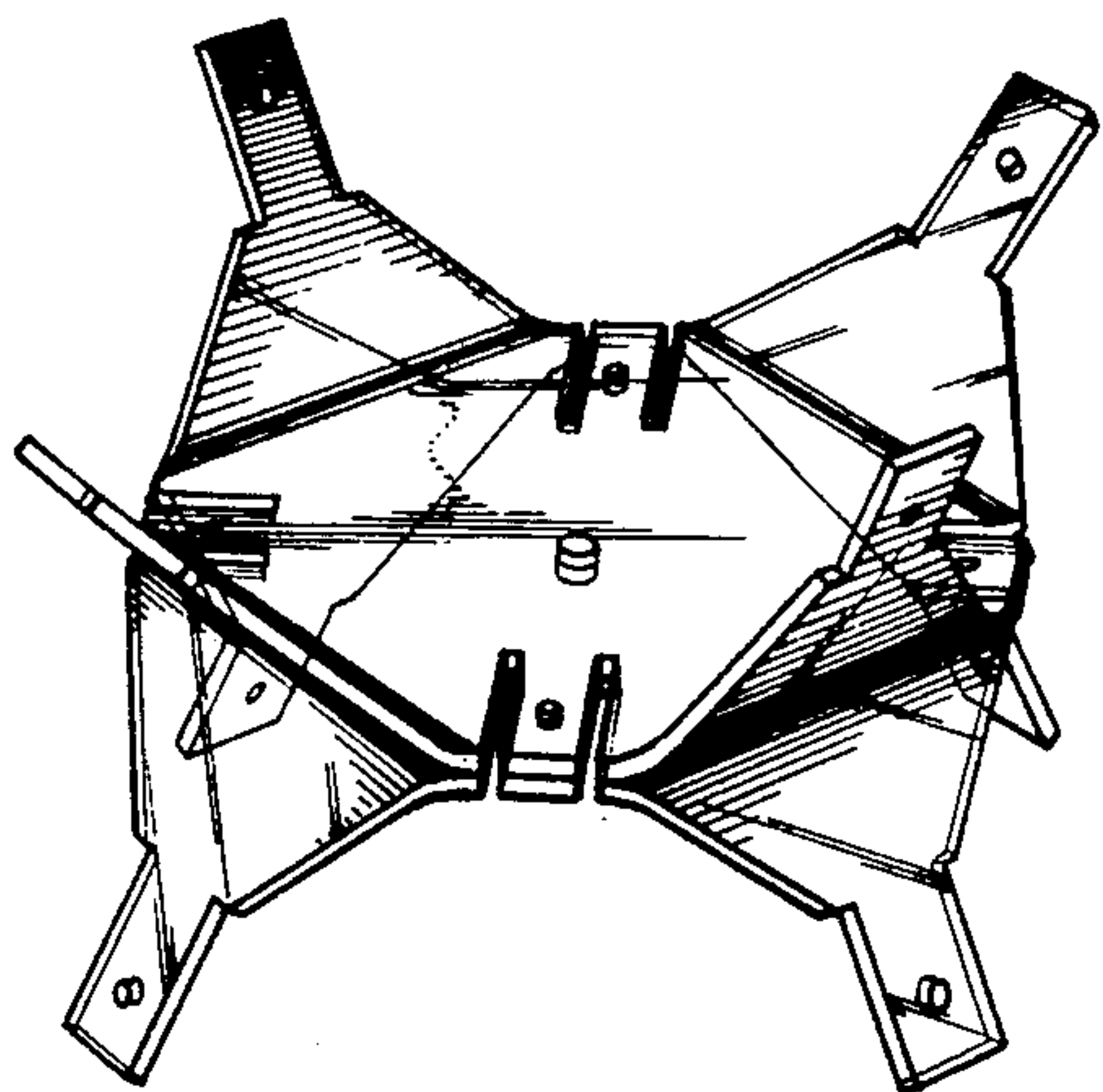


FIG 1

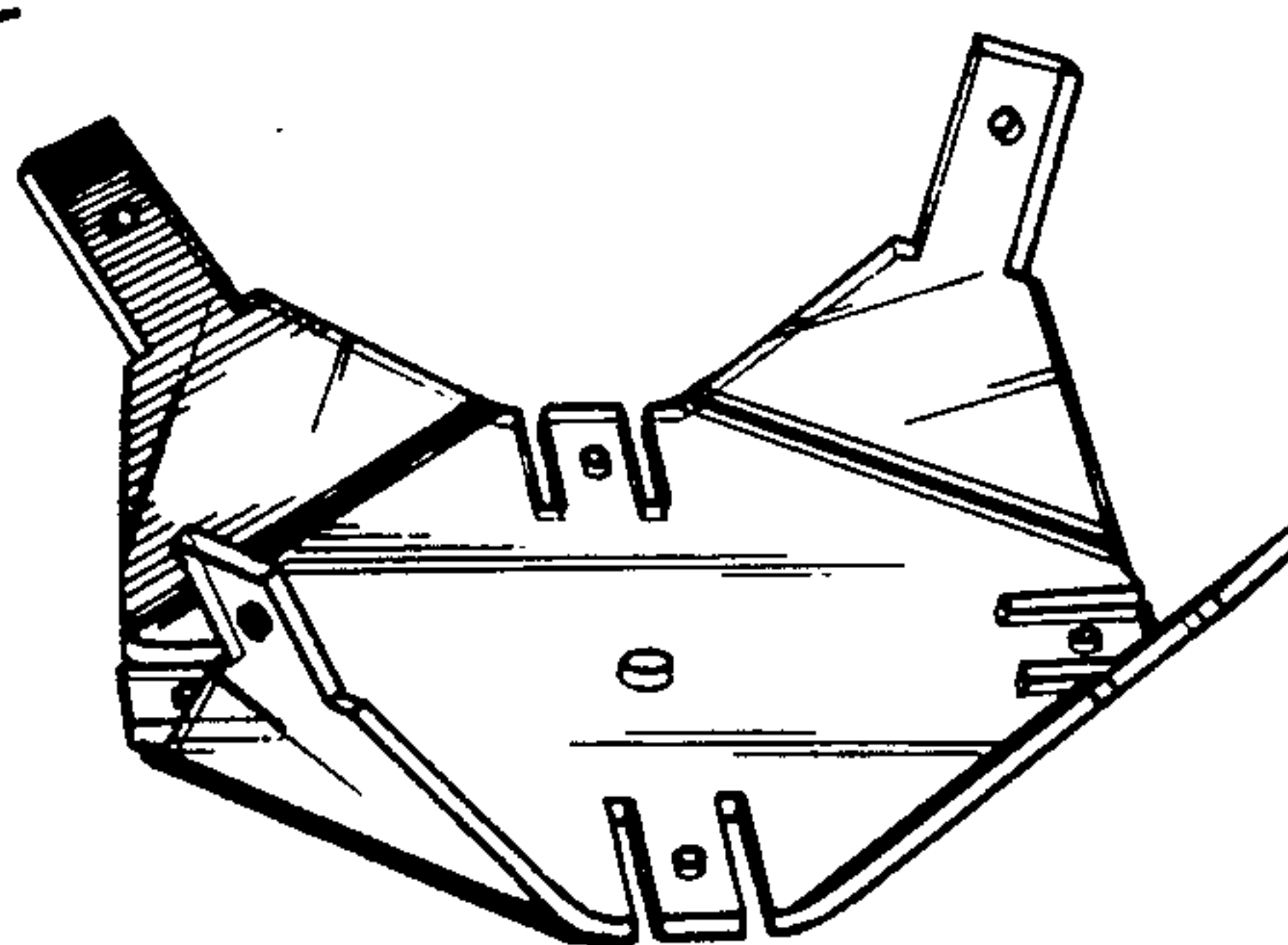


FIG 2

