

[54] OPERATOR'S TELEPRINTER CONSOLE

[75] Inventors: Donald M. Genaro, Haworth, N.J.; Gordon Sylvester, Jamaica, N.Y.

[73] Assignee: Teletype Corporation, Skokie, Ill.

[\*\*] Term: 14 Years

[21] Appl. No.: 908,412

[22] Filed: Jul. 3, 1978

[51] Int. Cl. .... D14-03; D6-04

[52] U.S. Cl. .... D14/93; D6/161; D14/42

[58] Field of Search ..... D14/40, 42, 93, 44; D6/177, 181, 161, 164; D16/27; 178/23 R, 26 A

[56] References Cited

U.S. PATENT DOCUMENTS

D. 117,535	11/1939	Weidner	.....	D14/93
D. 182,758	5/1958	Berg	.....	D14/93
D. 233,718	11/1974	Panzica	.....	D14/93 X
D. 243,575	3/1977	Knox	.....	D6/181

D. 250,336	11/1978	Esslinger et al.	.....	D14/44
4,096,934	6/1978	Kirmser et al.	.....	D14/42 X

Primary Examiner—Bernard Ansher  
Attorney, Agent, or Firm—J. C. Albrecht

[57] CLAIM

The ornamental design for an operator's teleprinter console, substantially as shown and described.

DESCRIPTION

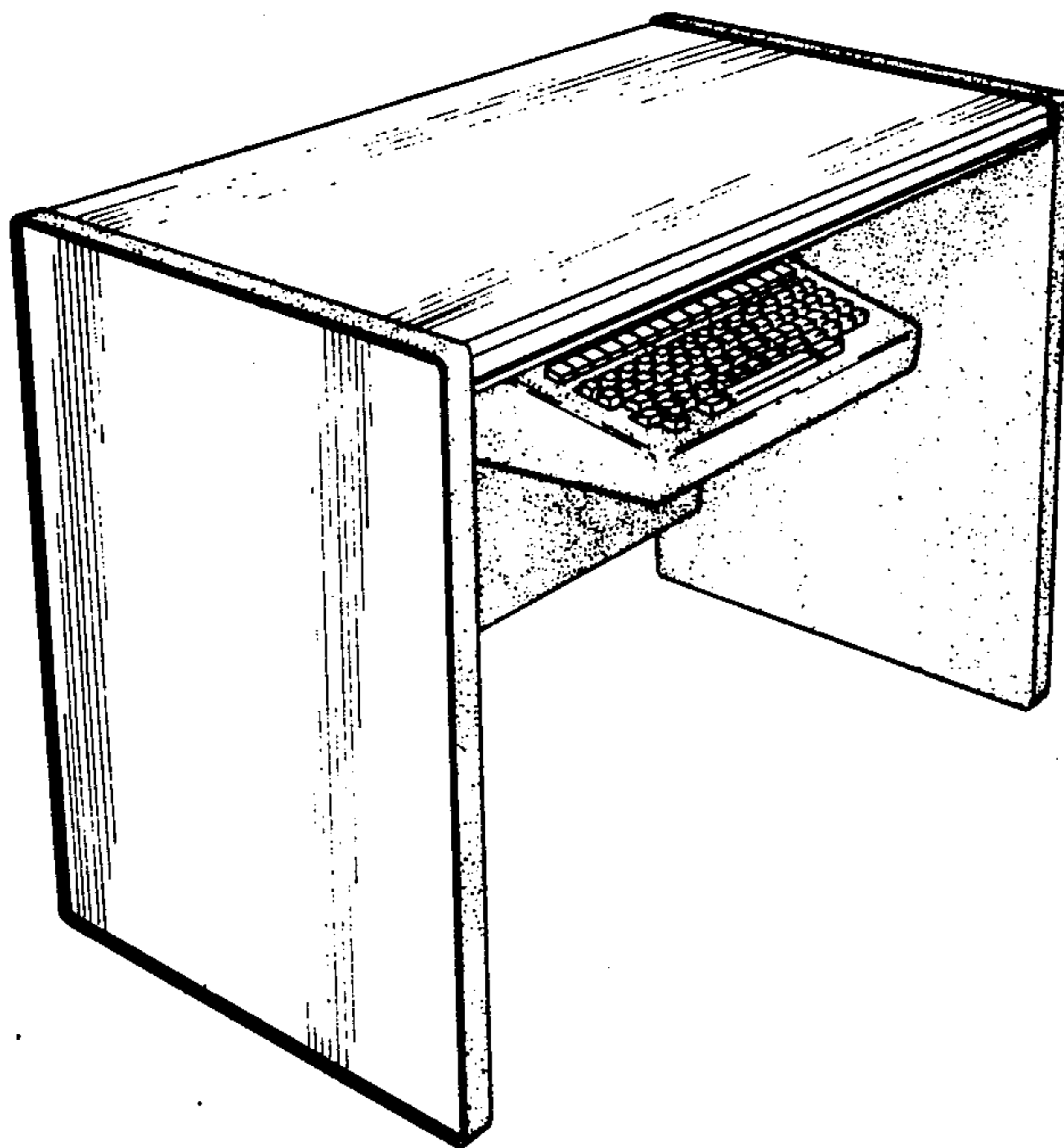
FIG. 1 is a view in perspective of the left side, front and top of an operator's teleprinter console showing our new design;

FIG. 2 is a view in perspective of the right side, rear, and top thereof;

FIG. 3 is a partial cross-sectional view taken along lines 3—3 of FIG. 2 showing a detail of the front and rear molding; and

FIG. 4 is a partial cross-sectional view taken along lines 4—4 of FIG. 2 showing a detail of the side molding.

The characteristic features of our design reside in the front and rear edging of the top and the edge treatment of the pedestals.



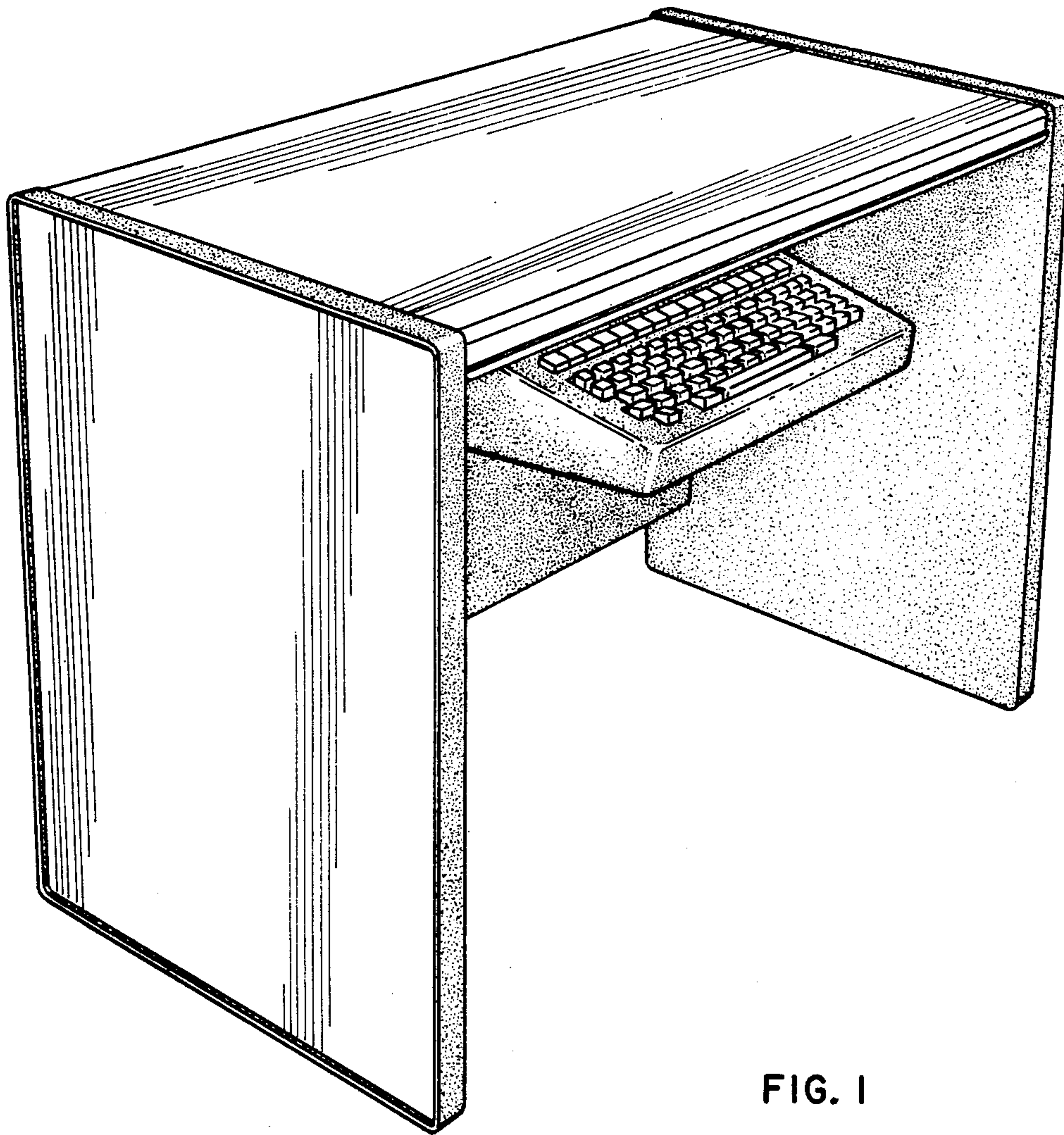


FIG. 1

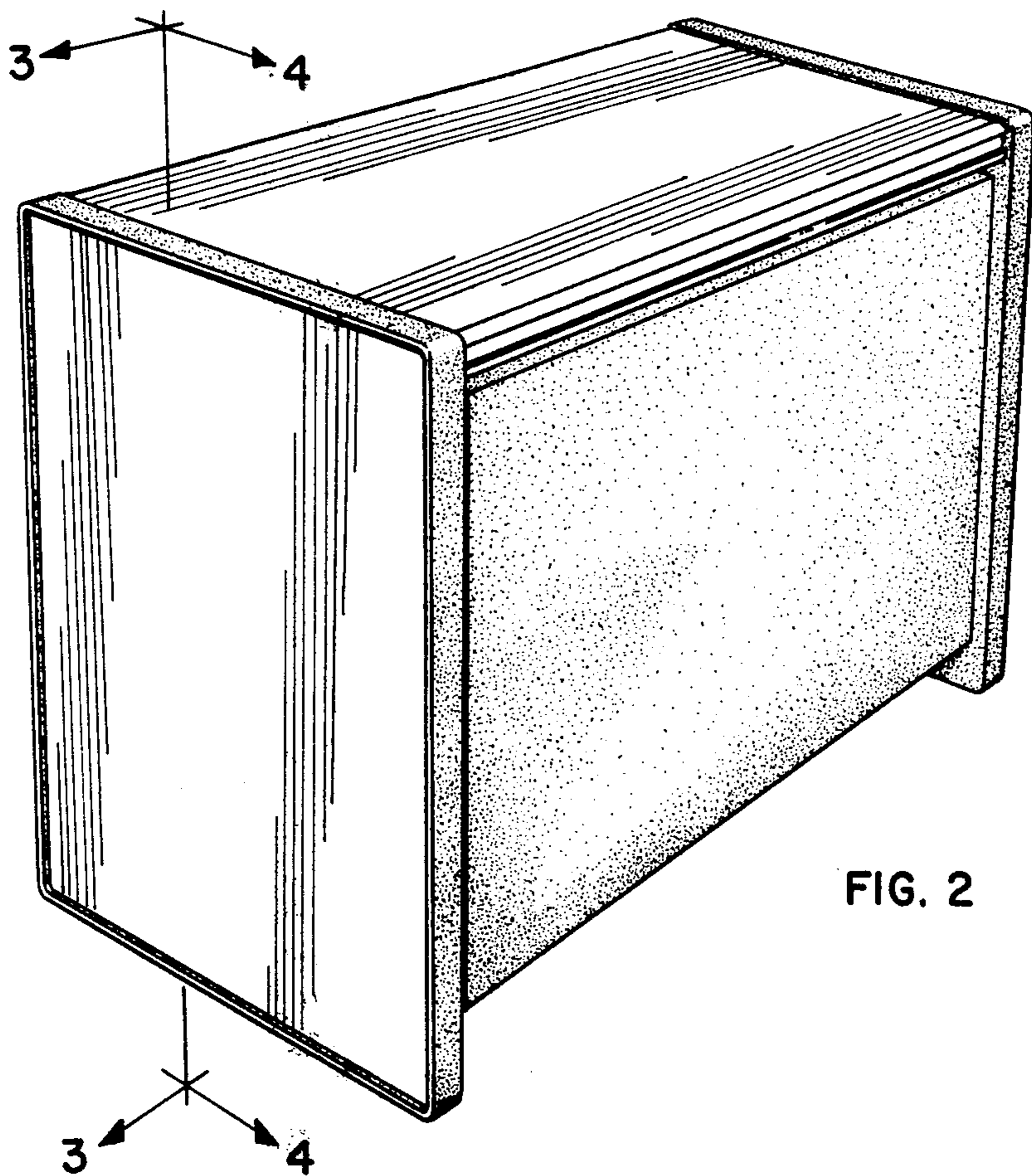


FIG. 2

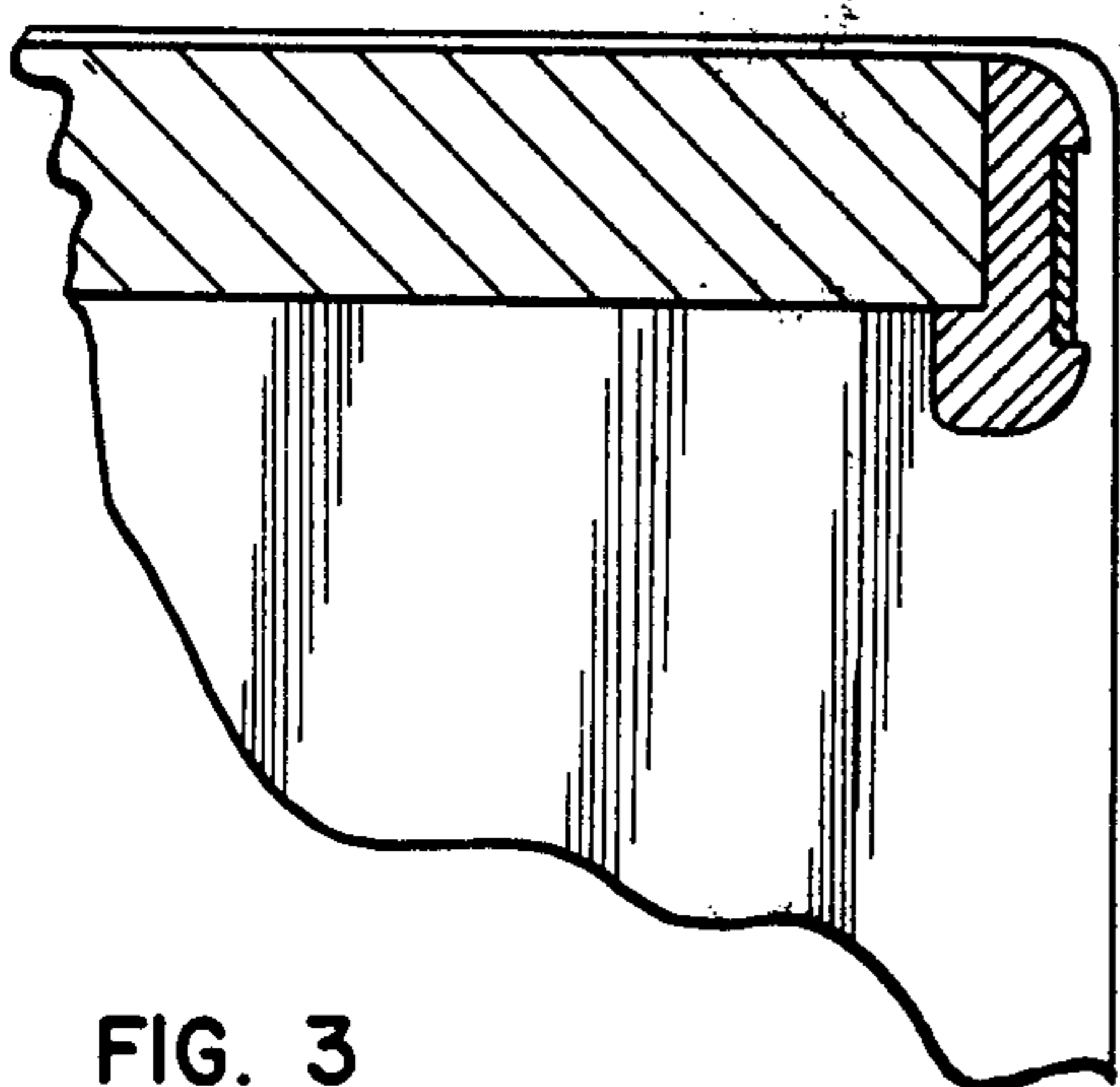


FIG. 3

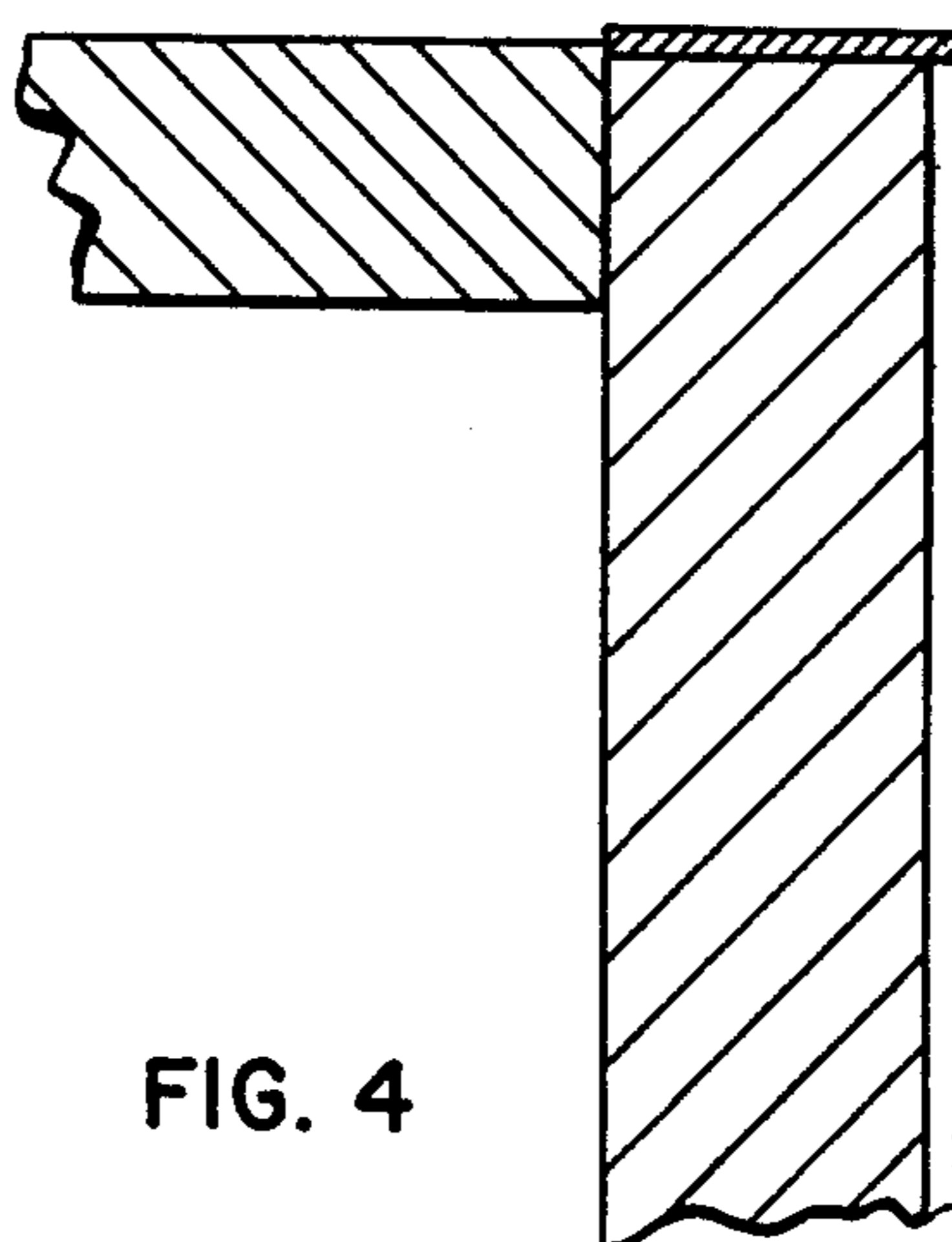


FIG. 4