

[54] TRAILER

[76] Inventor: Allan G. Jenkins, 16 Catalina Crescent, Milford, Auckland, New Zealand

[**] Term: 14 Years

[21] Appl. No.: 930,050

[22] Filed: Aug. 1, 1978

[30] Foreign Application Priority Data

Feb. 10, 1978 [NZ] New Zealand 15355

[51] Int. Cl. D12-10

[52] U.S. Cl. D12/101

[58] Field of Search D12/101; 280/400, 656, 280/789, 800

[56]

References Cited

PUBLICATIONS

Hot Rod, 3/78, p. 105, Trailer, top right side of page. Heavy Duty Trailers Flyer, Side 2, TR-1400 Series Trailer.

Primary Examiner—James M. Gandy

Attorney, Agent, or Firm—Calvin E. Thorpe

[57]

CLAIM

The ornamental design for a trailer, as shown and described.

DESCRIPTION

FIG. 1 is a top plan view of a trailer showing my new design;

FIG. 2 is a side elevational view, the opposite side being a mirror image thereof;

FIG. 3 is a rear elevational view thereof.

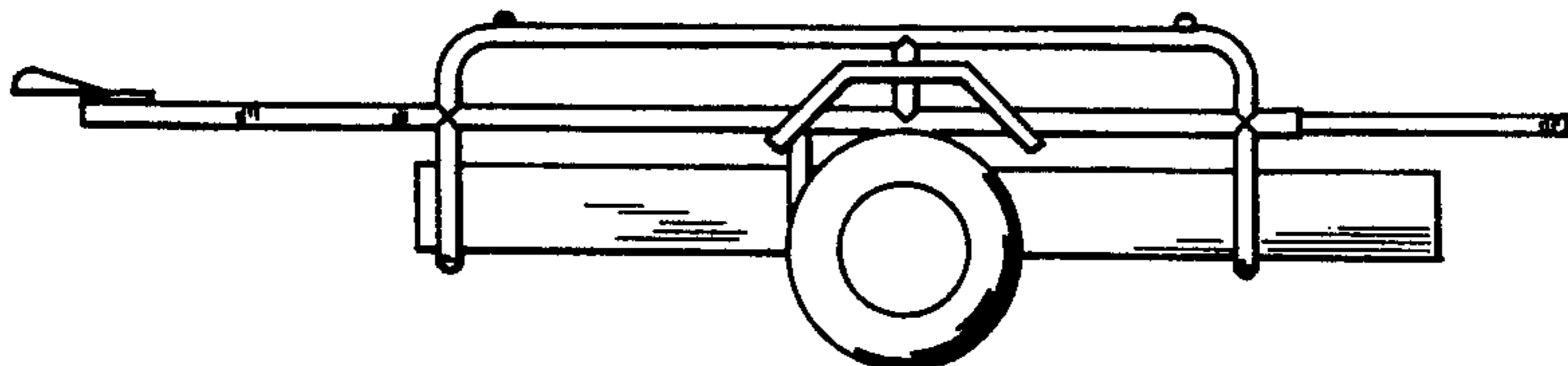
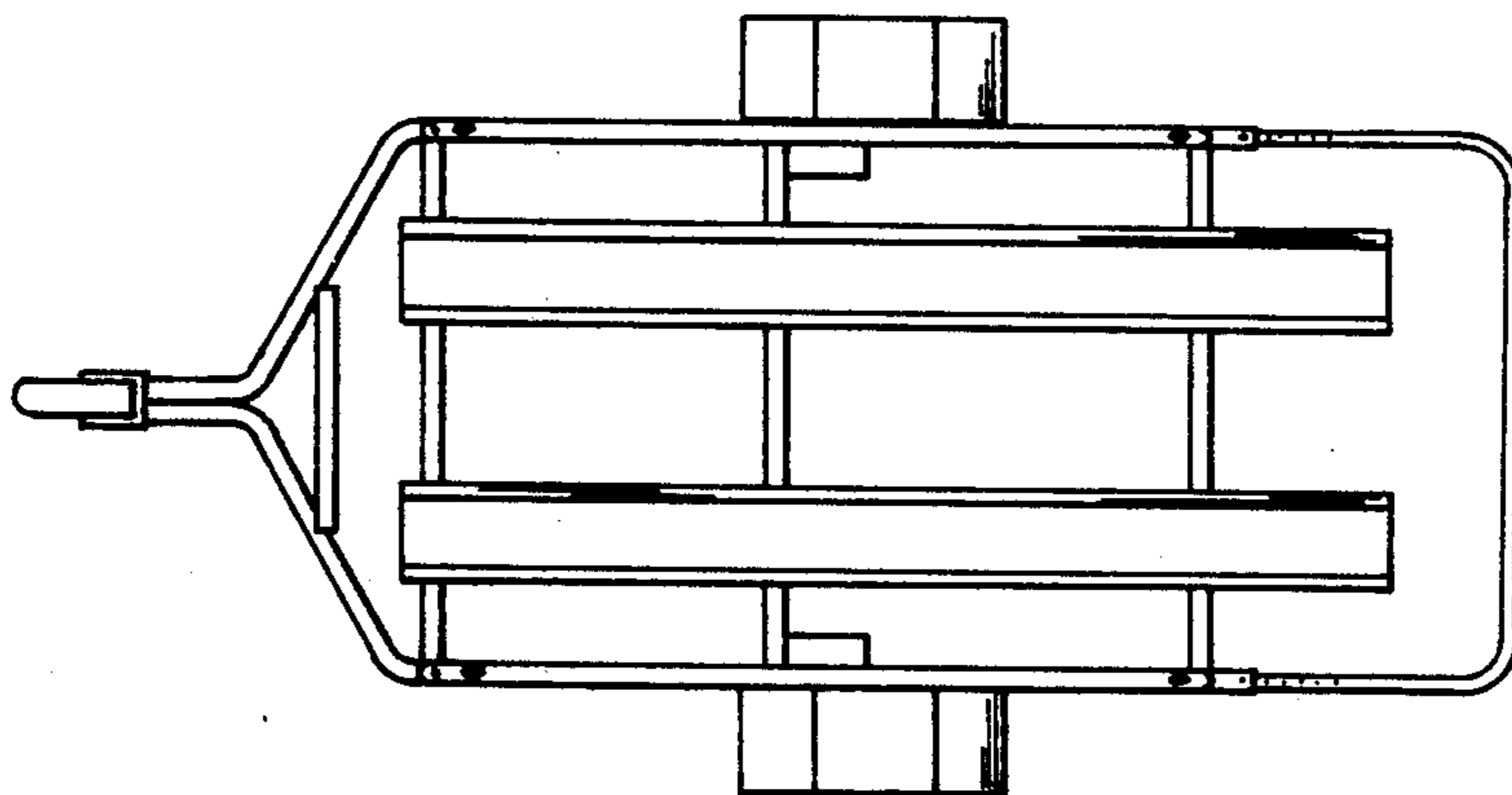


FIG 1

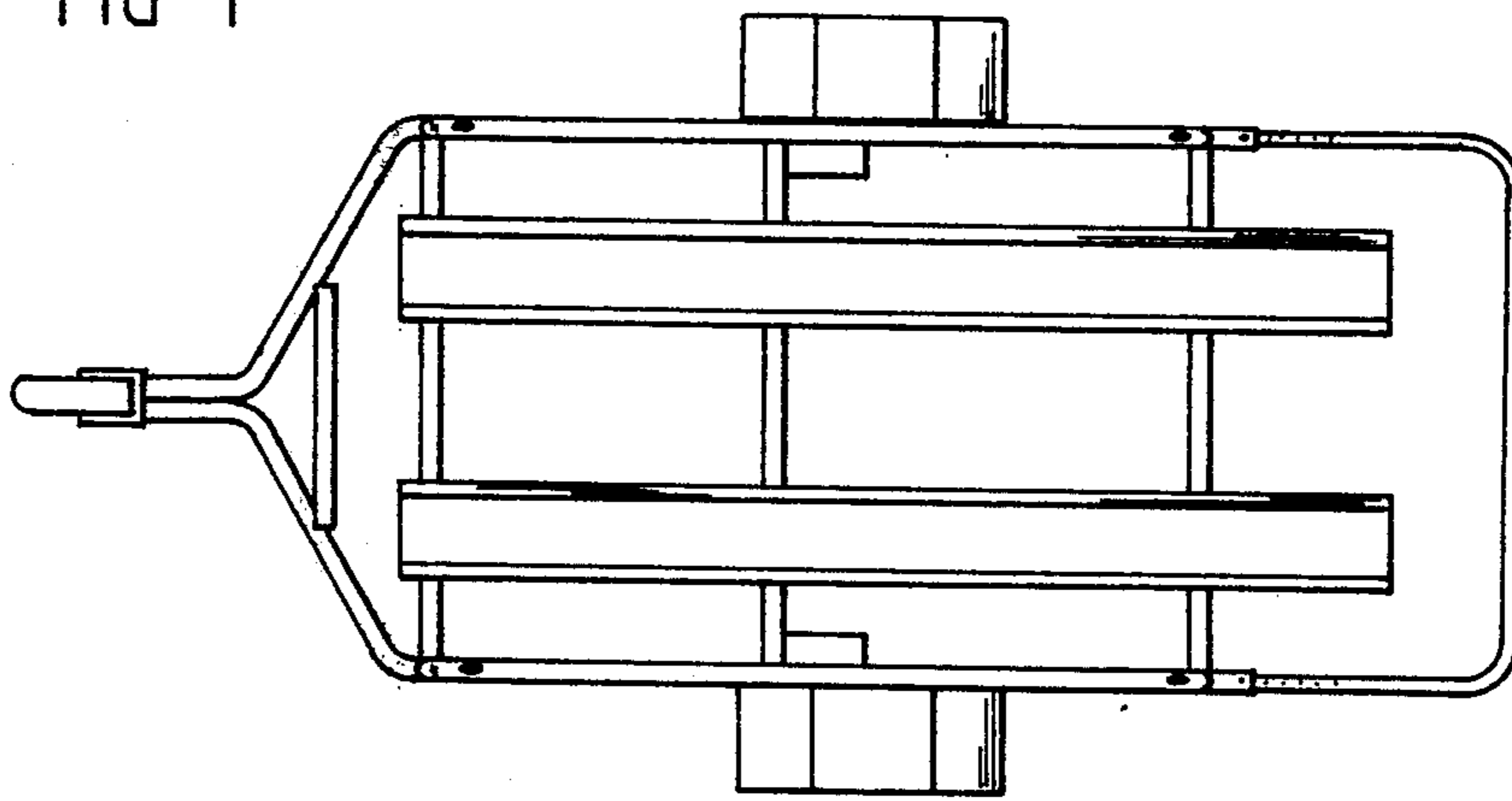


FIG 2

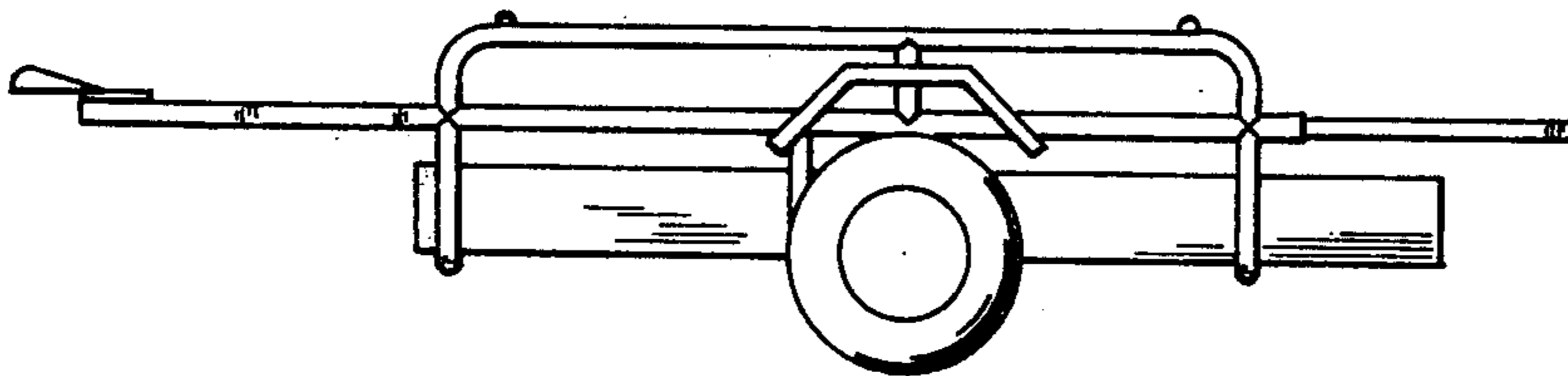


FIG 3

