

[54] DIGITAL MULTIMETER OR SIMILAR ARTICLE

[75] Inventor: Nicholas D. Swinstead, Church Crookham, England

[73] Assignee: Solartron Electronic Group Limited, Farnborough, England

[**] Term: 14 Years

[21] Appl. No.: 913,262

[22] Filed: Jun. 1, 1978

[30] Foreign Application Priority Data

Dec. 13, 1977 [GB] United Kingdom 982601/77

[51] Int. Cl. D10-04

[52] U.S. Cl. D10/78

[58] Field of Search D10/15, 46, 57, 60, D10/75, 78, 102; D14/73; 324/73 R, 115, 156

[56] References Cited

U.S. PATENT DOCUMENTS

D. 238,965 2/1976 Mansfield D14/73
D. 246,442 11/1977 Aupperle D10/78

OTHER PUBLICATIONS

Electronic Technician/Dealer, 6/78, p. 23, "Keithley", Multimeter at right-2nd from top.

Primary Examiner—Nelson C. Holtje
Attorney, Agent, or Firm—Joseph J. Kaliko; Mikio Ishimaru; Dale Gaudier

[57] CLAIM

The ornamental design for a digital multimeter or similar article, as shown.

DESCRIPTION

FIG. 1 is a front and top right perspective view of a digital multimeter or similar article showing my new design;

FIG. 2 is a rear and bottom left perspective view thereof;

FIG. 3 is a right side elevational view thereof;

FIG. 4 is a front elevational view thereof;

FIG. 5 is a rear elevational view thereof.

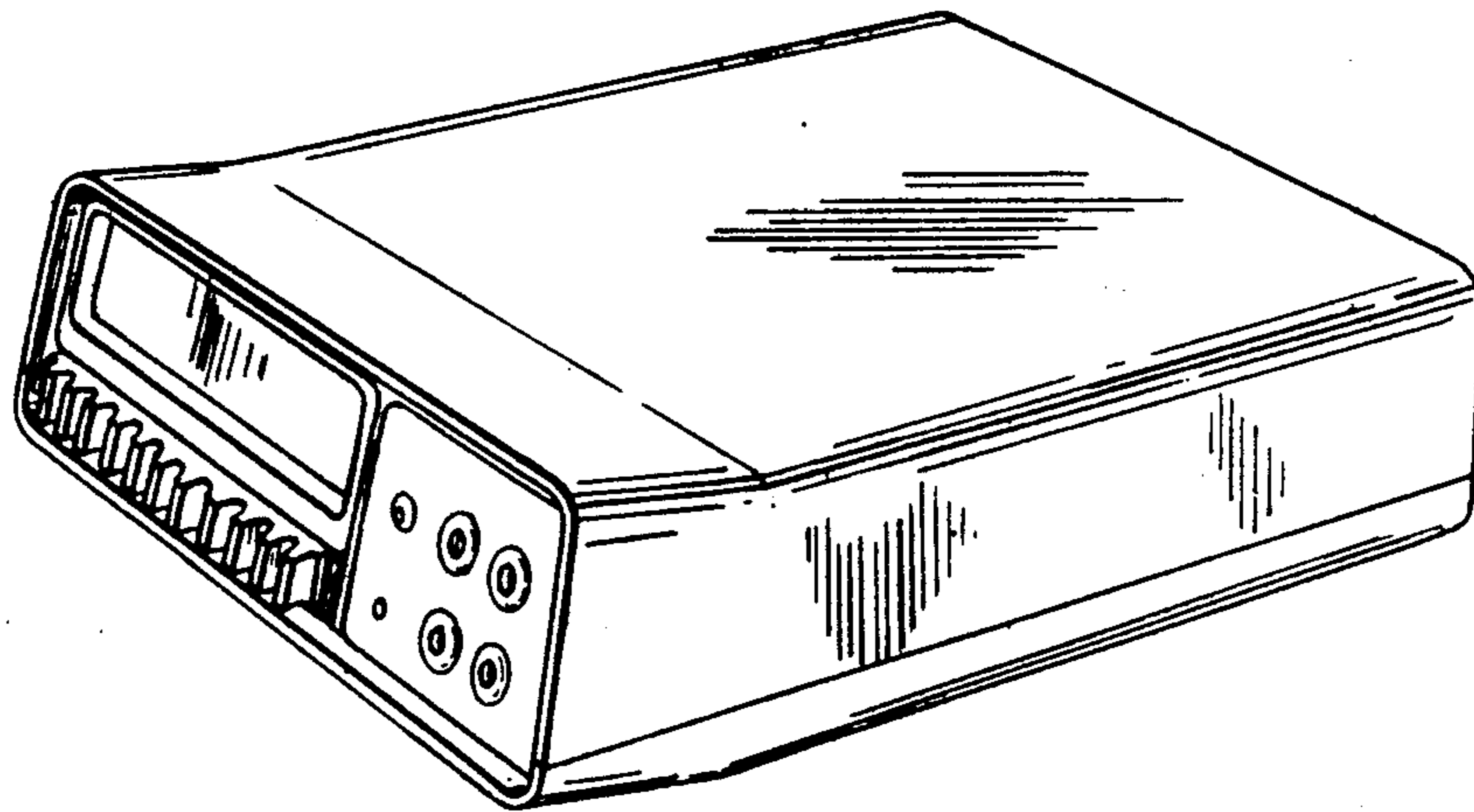


FIG. 1

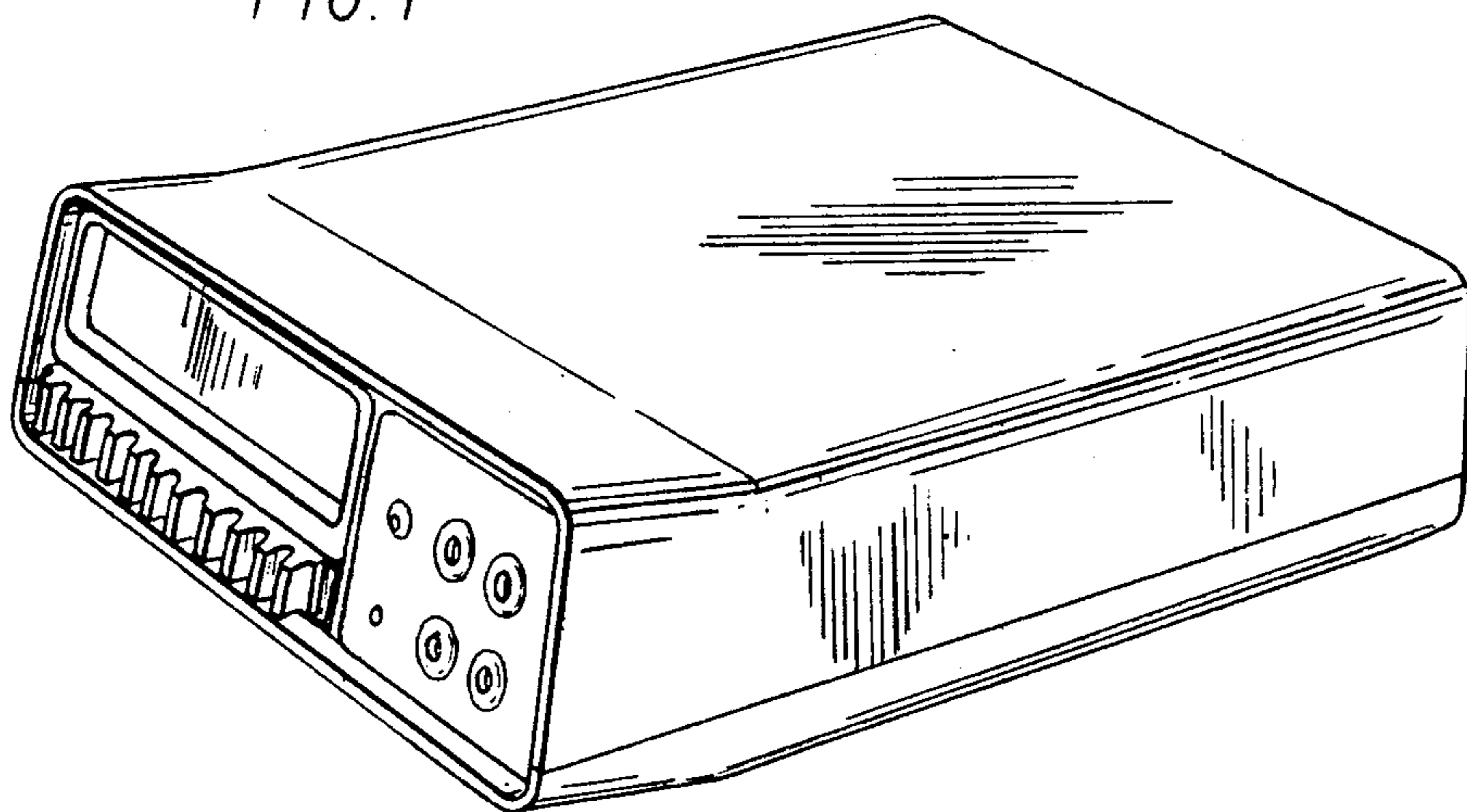


FIG. 2

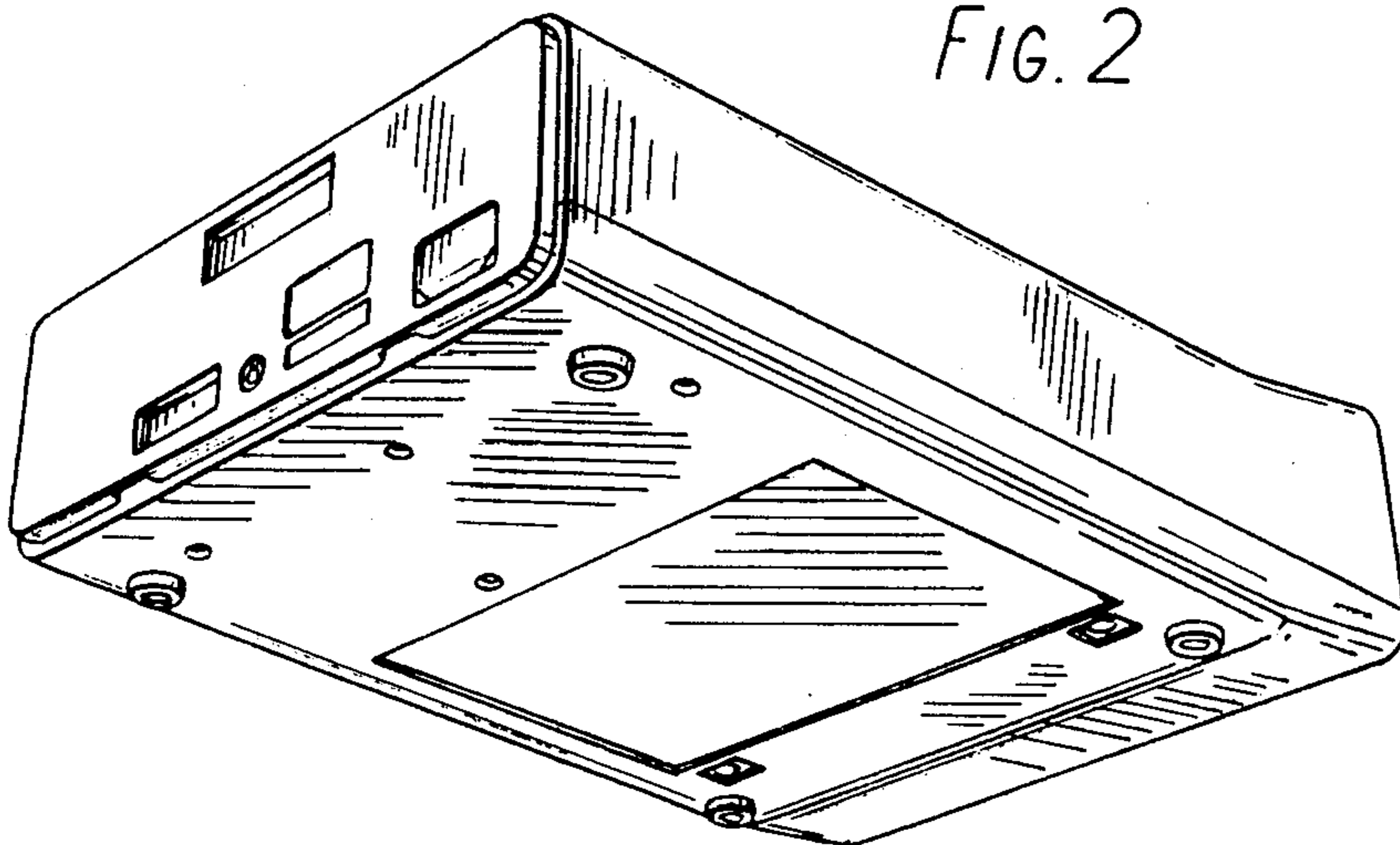


FIG. 3

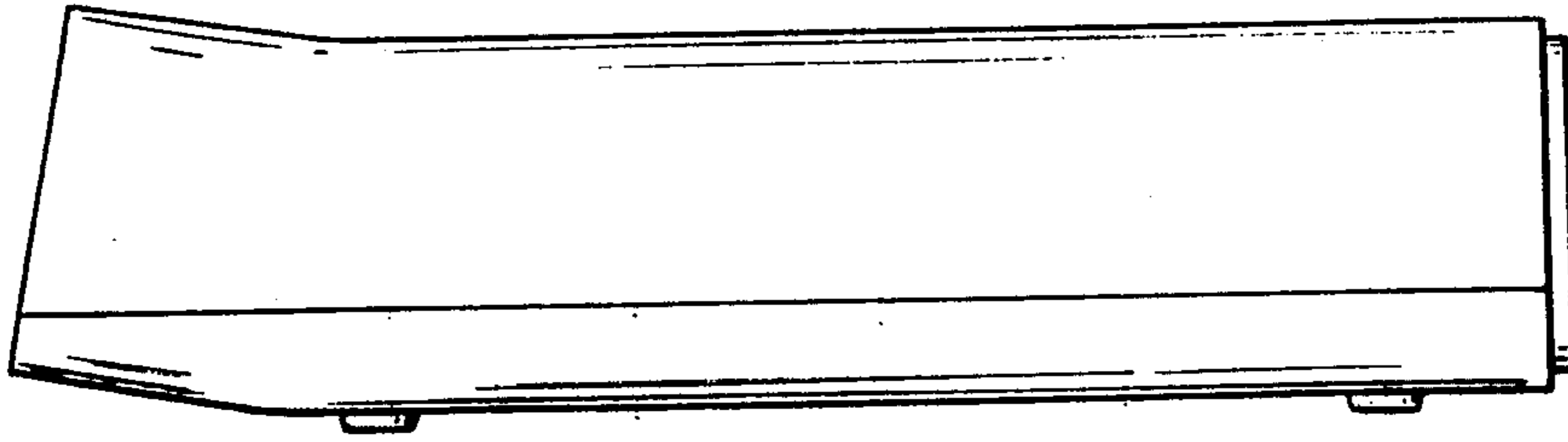


FIG. 4

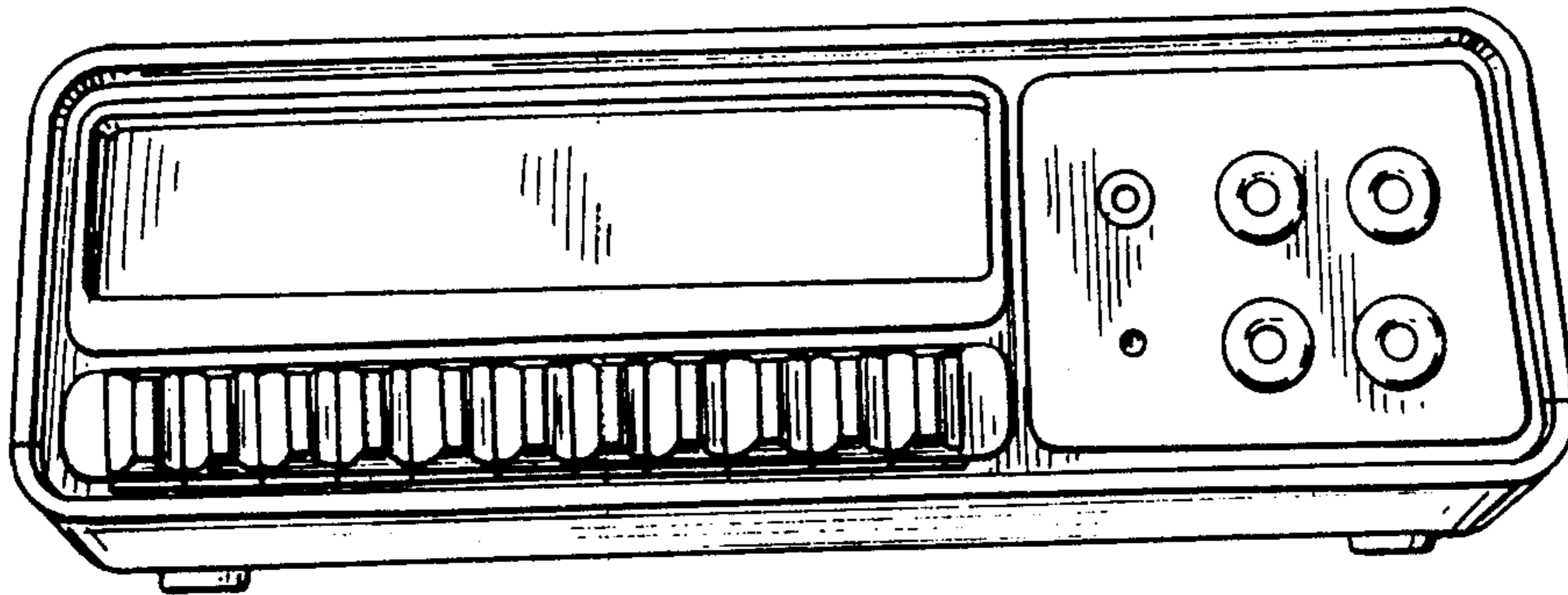


FIG. 5

