

[54] **COMBINED STORAGE AND DRAINAGE CONTAINER FOR SEAFOOD OR THE LIKE**

3,282,462 11/1966 Box ..... D9/177 X  
3,327,896 6/1967 Asenbauer ..... D3/68 X

[75] **Inventor:** Jean Cornou, Essonne, France

*Primary Examiner*—Robert C. Spangler  
*Attorney, Agent, or Firm*—Irvin S. Thompson

[73] **Assignee:** Allibert Exploitation, Grenoble, France

[57] **CLAIM**

[\*\*] **Term:** 14 Years

The ornamental design for a combined storage and drainage container for seafood or the like, as shown and described.

[21] **Appl. No.:** 898,325

[22] **Filed:** Apr. 18, 1978

**DESCRIPTION**

[51] **Int. Cl.** ..... D9-04

FIG. 1 is a top perspective view of a combined storage and drainage container for seafood or the like, showing my new design;

[52] **U.S. Cl.** ..... D7/76; D99/47; D9/427

FIG. 2 is a top perspective view thereof with the cover removed;

[58] **Field of Search** ..... D9/254, 237-240, D9/177, 219, 242, 243, 246, 248; D3/67-69, 30; 206/503-509

FIG. 3 is a top plan view thereof with the cover removed; and

FIG. 4 is a bottom plan view thereof with the cover removed.

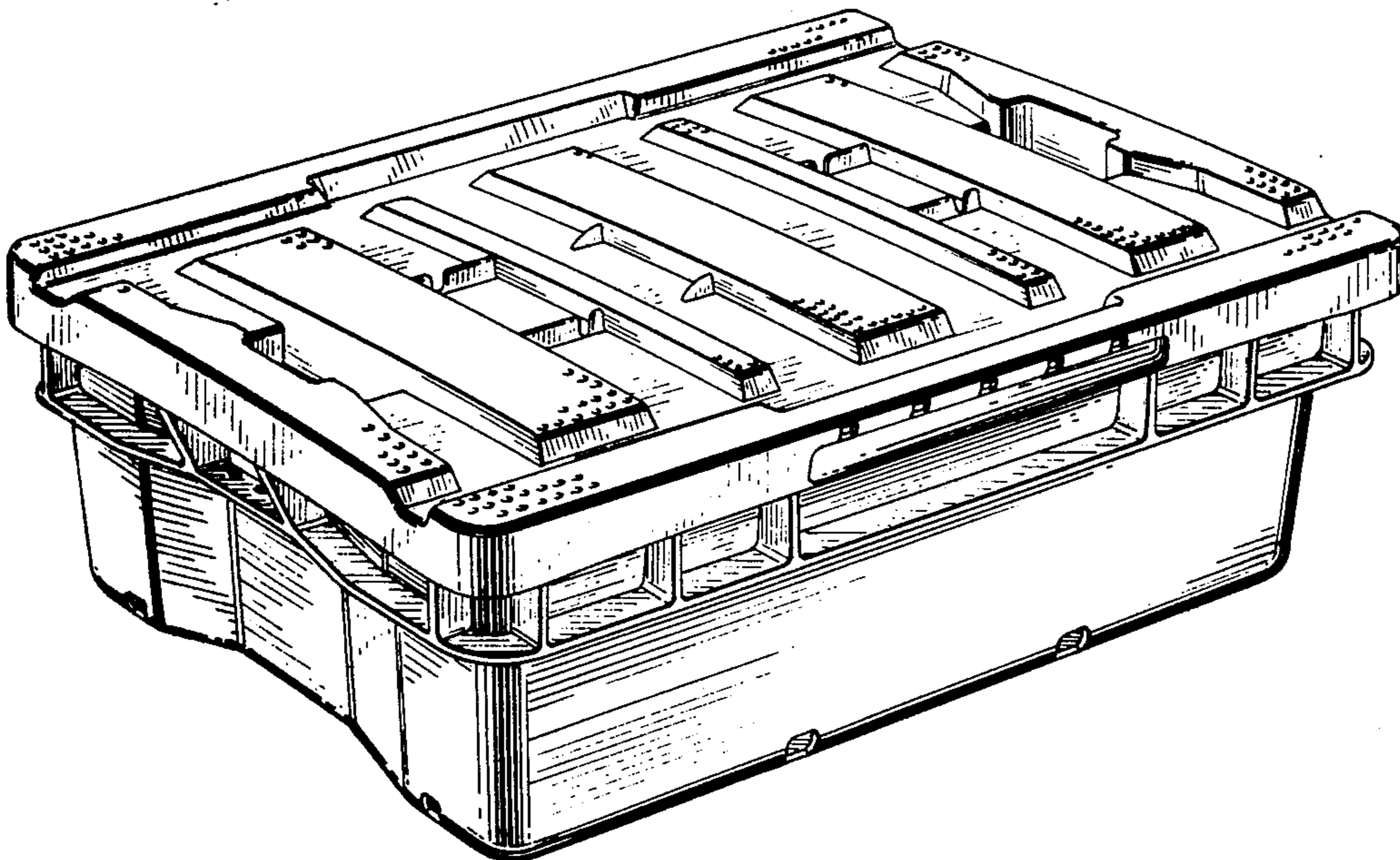
The sides opposite those shown in FIGS. 1 and 2 are identical to those there shown; and the underside of the cover is the embossed reverse of the cover.

The rows of small circles on the bottom and top represent bumps, it being understood that those seen on the top are continuous over the surfaces they appear on.

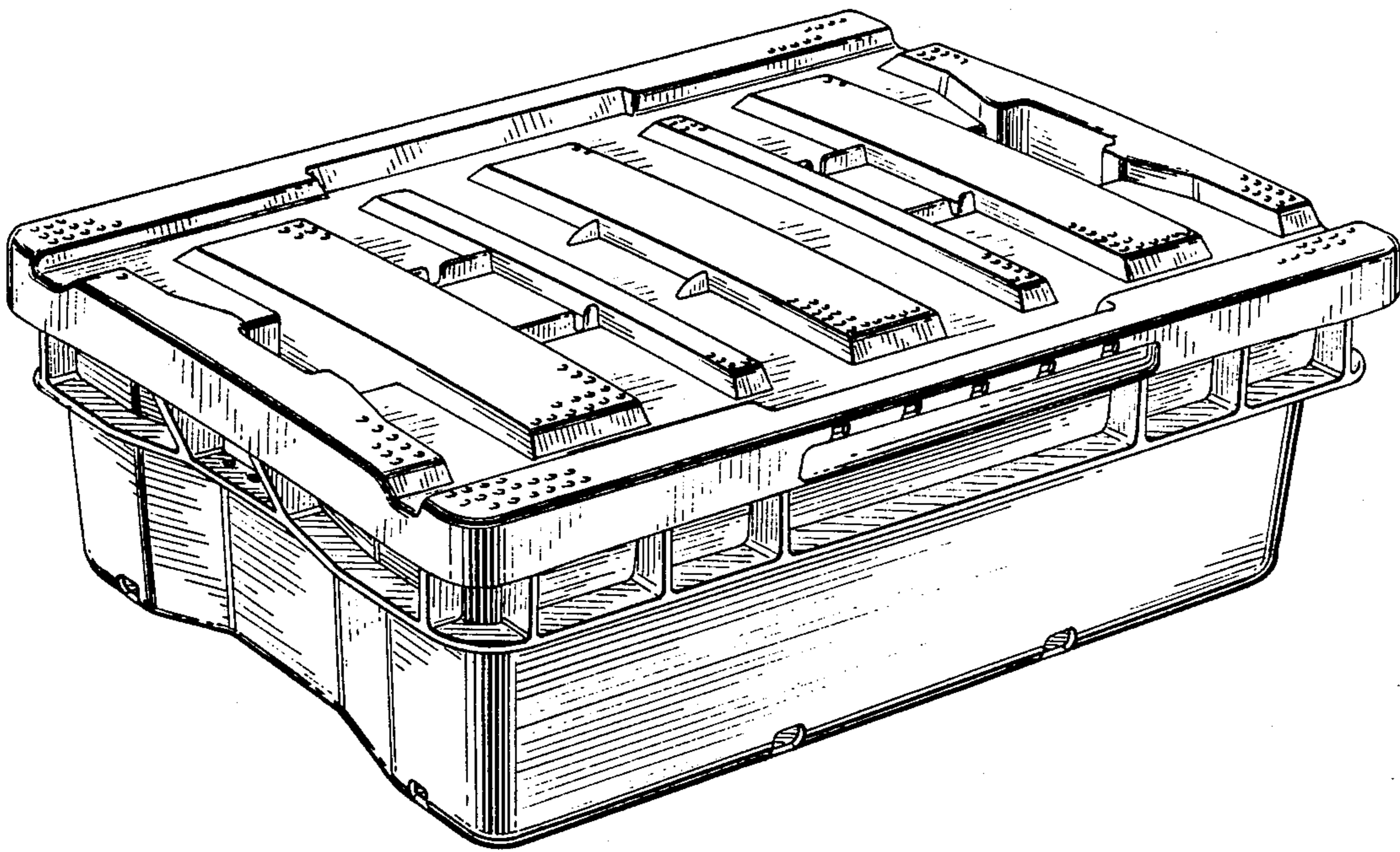
[56] **References Cited**

**U.S. PATENT DOCUMENTS**

D. 211,512	6/1968	Gehl et al. ....	D9/177
D. 244,173	5/1977	Thurman .....	D9/240 X
D. 248,280	6/1978	Martin .....	D9/177 X
D. 252,172	6/1979	Carroll et al. ....	D3/67
D. 252,179	6/1979	Cherry .....	D9/219 X



**FIG. 1**



**FIG. 2**

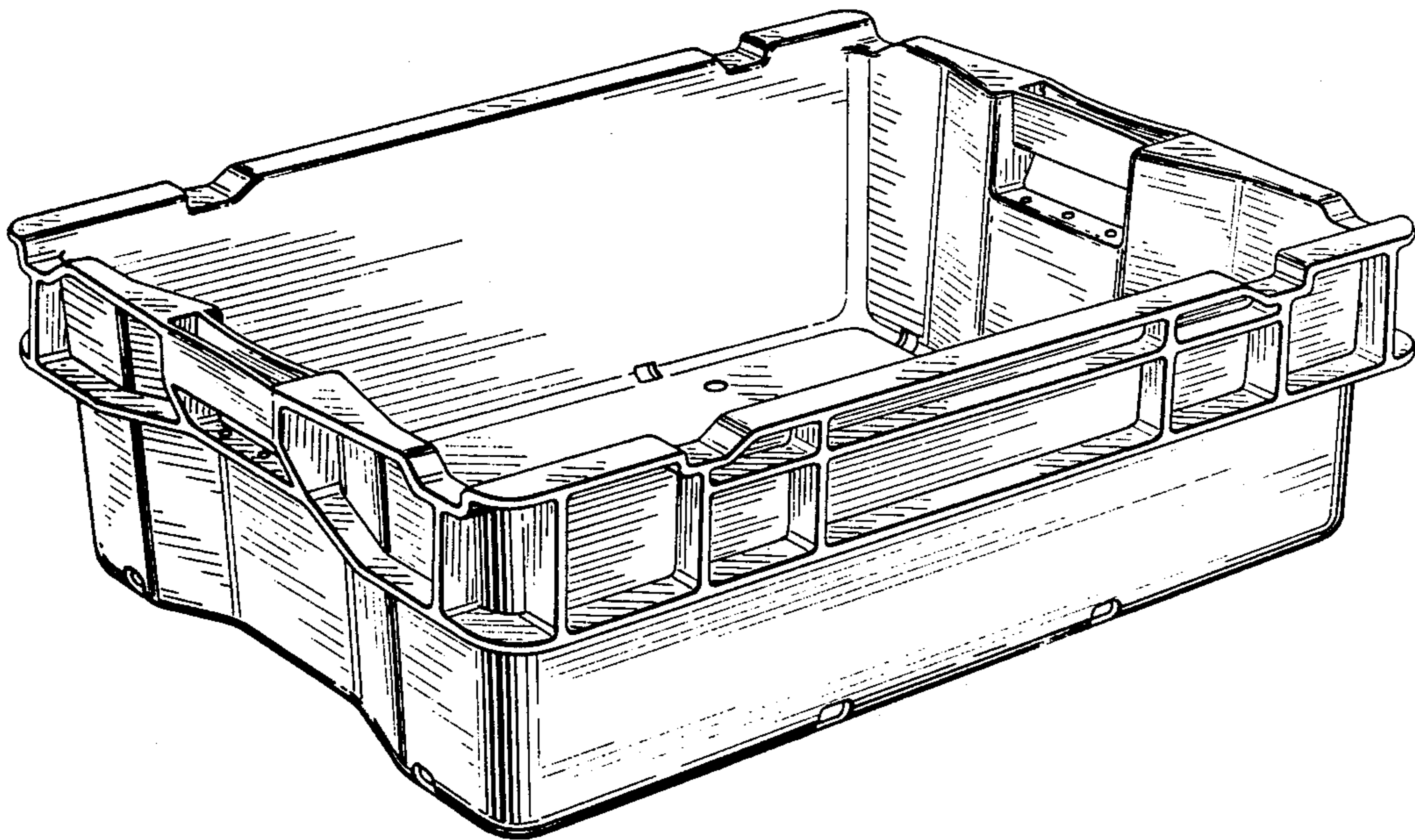




FIG 3

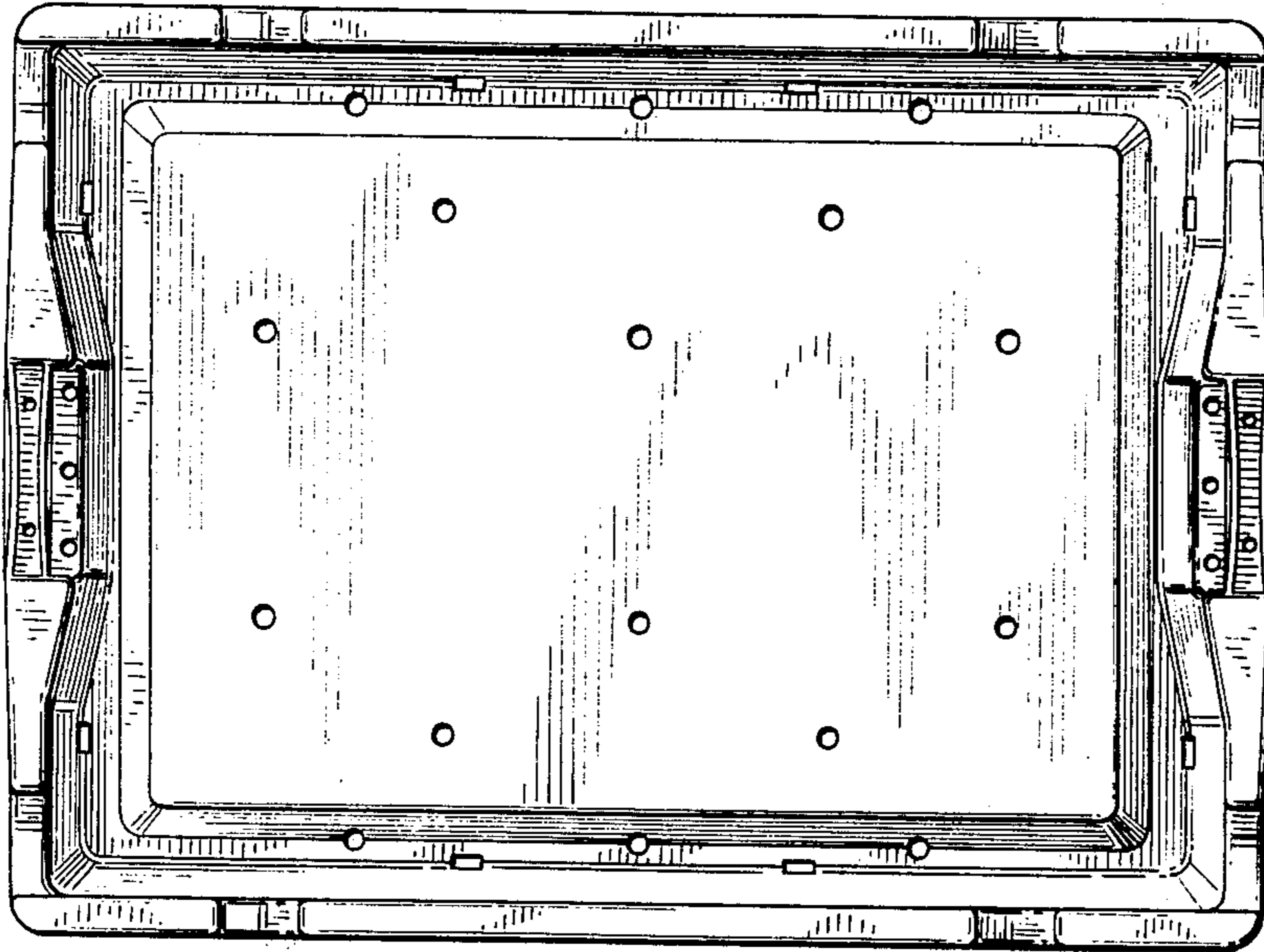


FIG 4

