

[54] TOTE BOX

[75] Inventor: Elie C. Steeg, Paris, France

[73] Assignee: Allibert Exploitation S.A., Grenoble, France

[\*\*] Term: 14 Years

[21] Appl. No.: 946,848

[22] Filed: Sep. 29, 1978

[30] Foreign Application Priority Data

Mar. 31, 1978 [FR] France ..... 78 2480

[51] Int. Cl. .... D9-04

[52] U.S. Cl. .... D99/47

[58] Field of Search ..... D3/30, 66, 67, 68; D9/242, 243, 246, 219, 176, 177; 229/3.5 MF

[56] References Cited

U.S. PATENT DOCUMENTS

D. 198,868	8/1964	Beesley et al. ....	D9/177
D. 248,280	6/1978	Martin .....	D9/177
D. 252,172	6/1979	Carroll et al. ....	D3/67
3,379,339	4/1968	Asenbauer .....	D3/67 X

Primary Examiner—Robert C. Spangler  
Attorney, Agent, or Firm—Browdy and Neimark

[57] CLAIM

The ornamental design for a tote box, as shown and described.

DESCRIPTION

FIG. 1 is a perspective view of a tote box showing my new design;

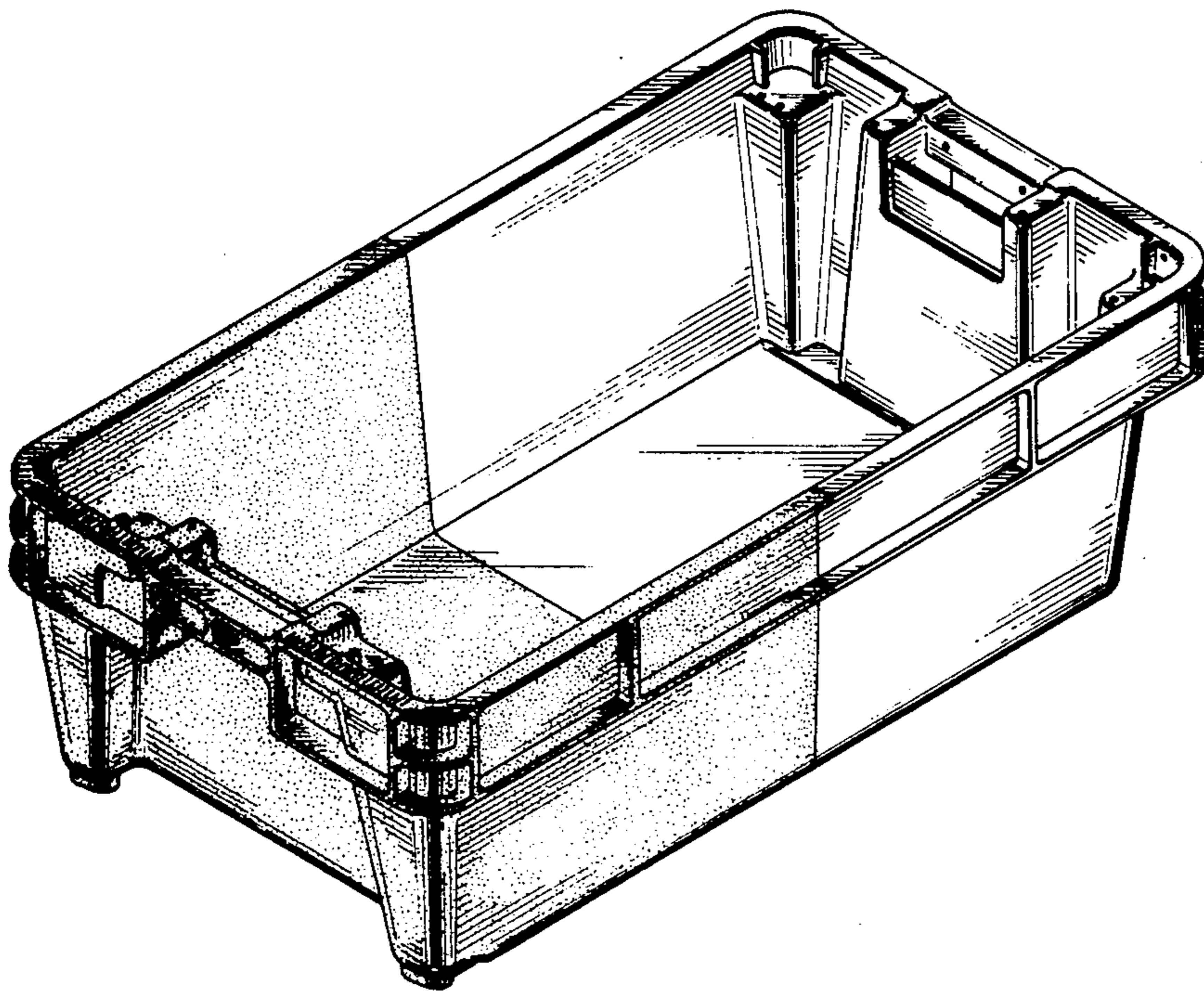
FIG. 2 is a right end elevational view thereof;

FIG. 3 is a side elevational view thereof;

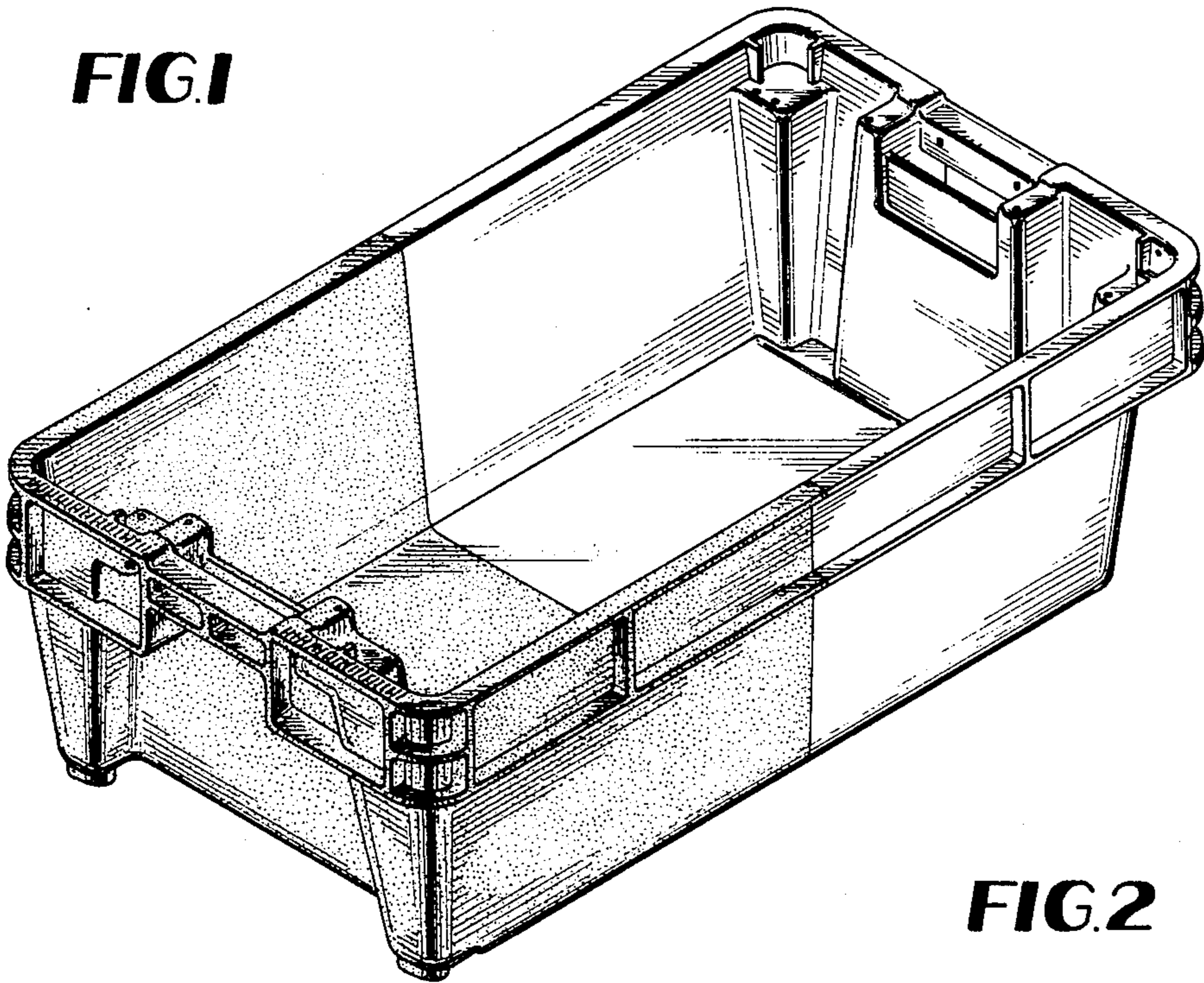
FIG. 4 is a top plan view thereof; and

FIG. 5 is a bottom plan view thereof.

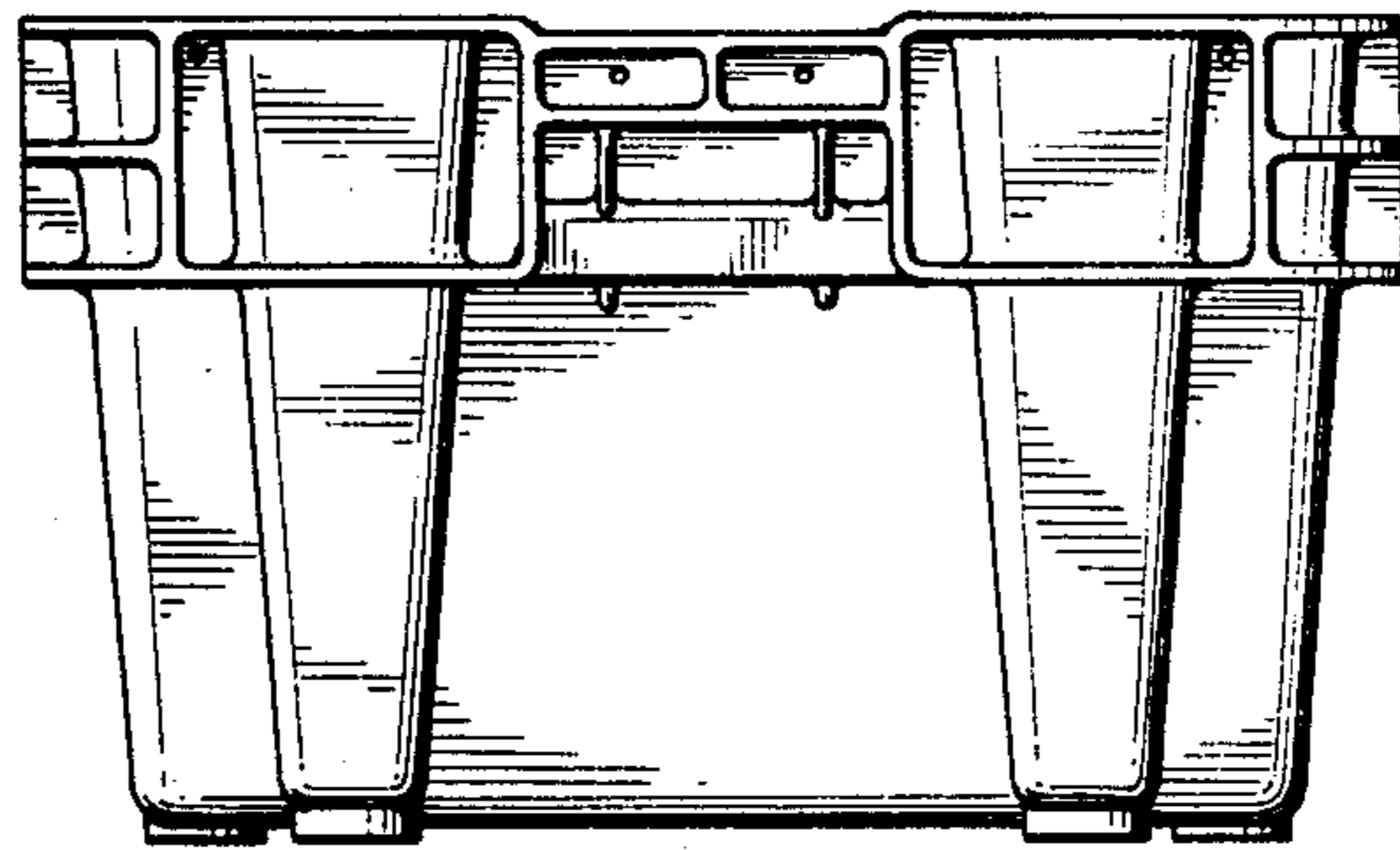
The stippling shown on the drawings indicates that one-half of the tote box is of a darker color than the remainder thereof.



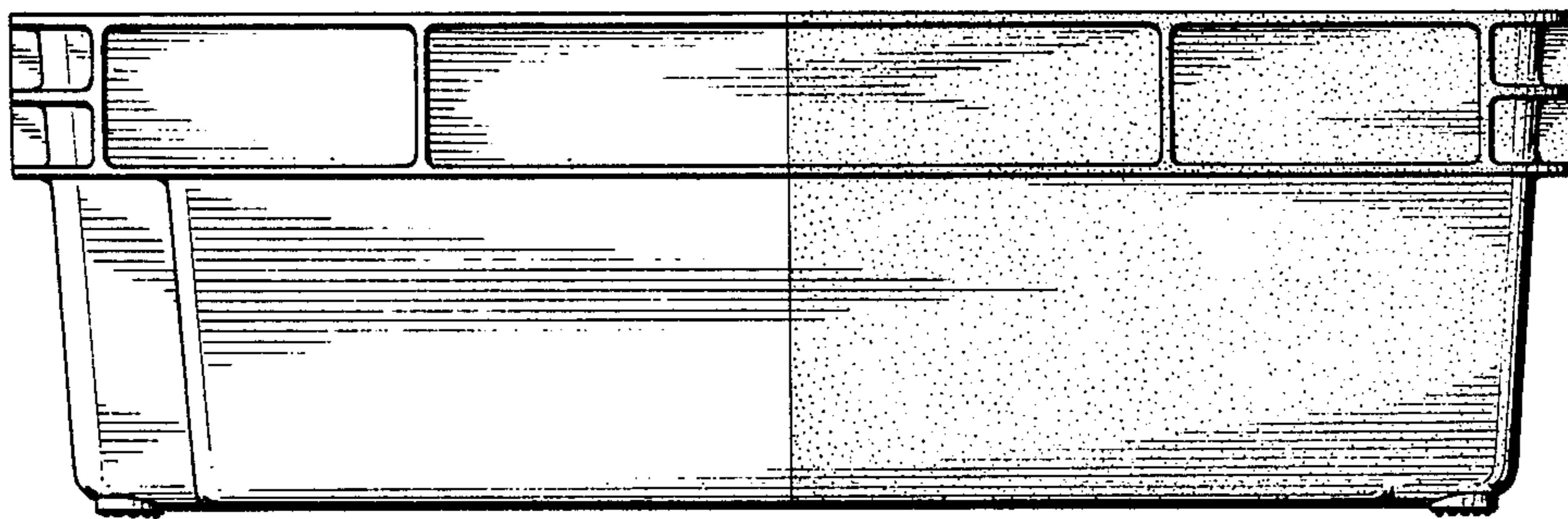
**FIG. 1**



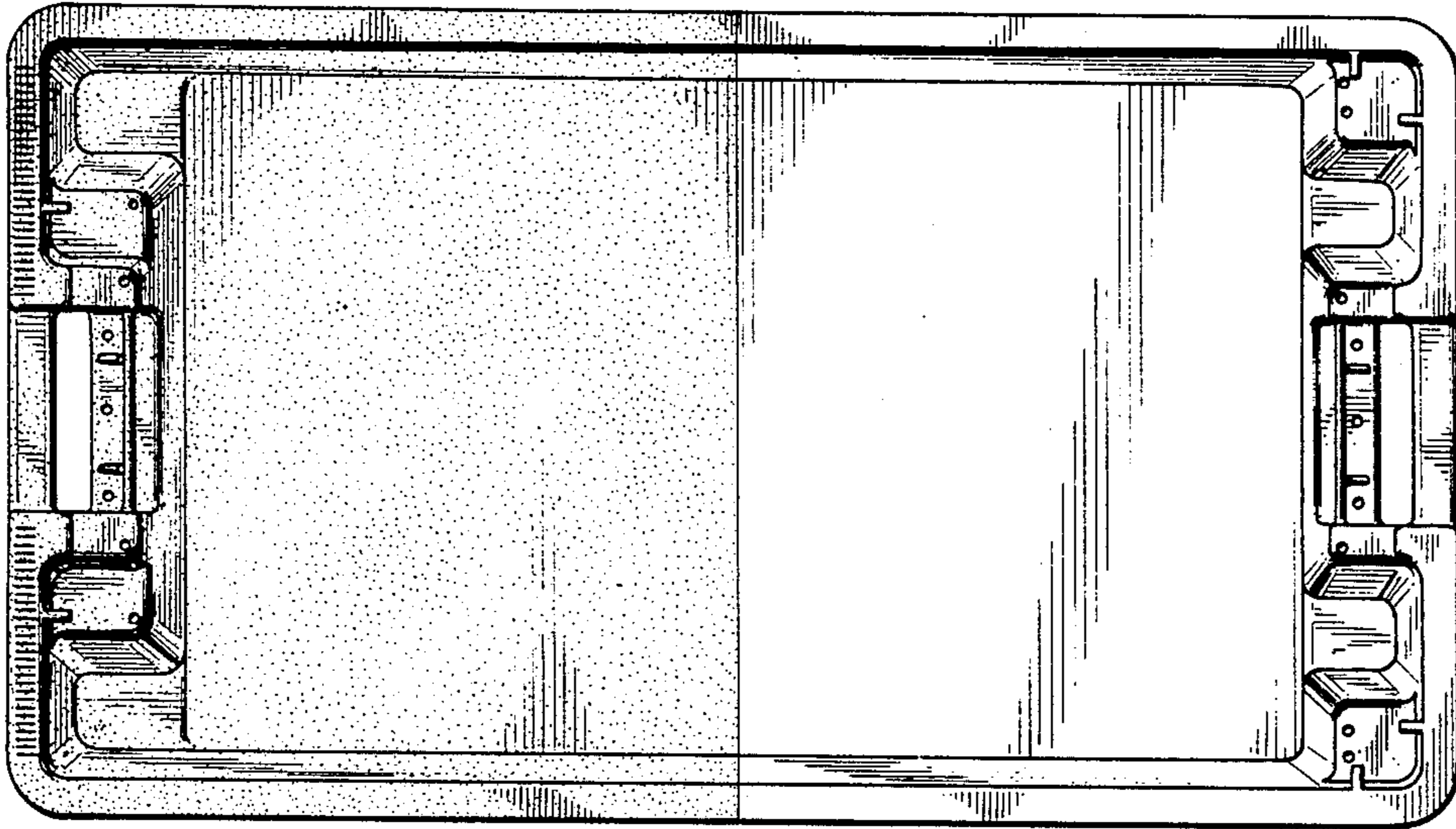
**FIG. 2**



**FIG. 3**



**FIG. 4**



**FIG. 5**

