

[54] COMBINED CHARCOAL STARTER AND GRILL OR THE LIKE

3,167,040 1/1965 Byars, Sr. et al. 126/25 B
3,453,975 7/1969 Gunter 126/25 B
4,026,265 5/1977 Spadaro 126/25 B

[76] Inventor: William C. Harper, 5522 Selton Ave., Jacksonville, Fla. 32211

Primary Examiner—Catherine E. Kemper
Attorney, Agent, or Firm—George H. Baldwin

[**] Term: 14 Years

[57] CLAIM

[21] Appl. No.: 13,378

The ornamental design for combined charcoal starter and grill or the like, substantially as shown and described.

[22] Filed: Feb. 21, 1979

[51] Int. Cl. D7—02; D23—99

[52] U.S. Cl. D7/110; D23/90.1

[58] Field of Search D7/107, 108, 109, 110; D23/90.1; 126/25 R, 25 A, 25 AA, 25 B, 25 C, 29, 30, 9 R, 9 A, 9 B

DESCRIPTION

FIG. 1 is a side elevational view of a combined charcoal starter and grill showing my new design; FIG. 2 is a front elevational view thereof; FIG. 3 is a rear elevational view thereof; FIG. 4 is a top plan view thereof, showing the upper removable grill; FIG. 5 is a bottom view thereof, showing the slidably removable charcoal support partially broken away; and FIG. 6 is a cross-sectional view on an enlarged scale taken along line 6—6 of FIG. 1.

[56] References Cited

U.S. PATENT DOCUMENTS

D. 229,013 11/1973 Storandt D7/107
2,920,614 1/1960 Phelps 126/25 R
3,116,704 1/1964 Byars, Sr. et al. 126/25 B

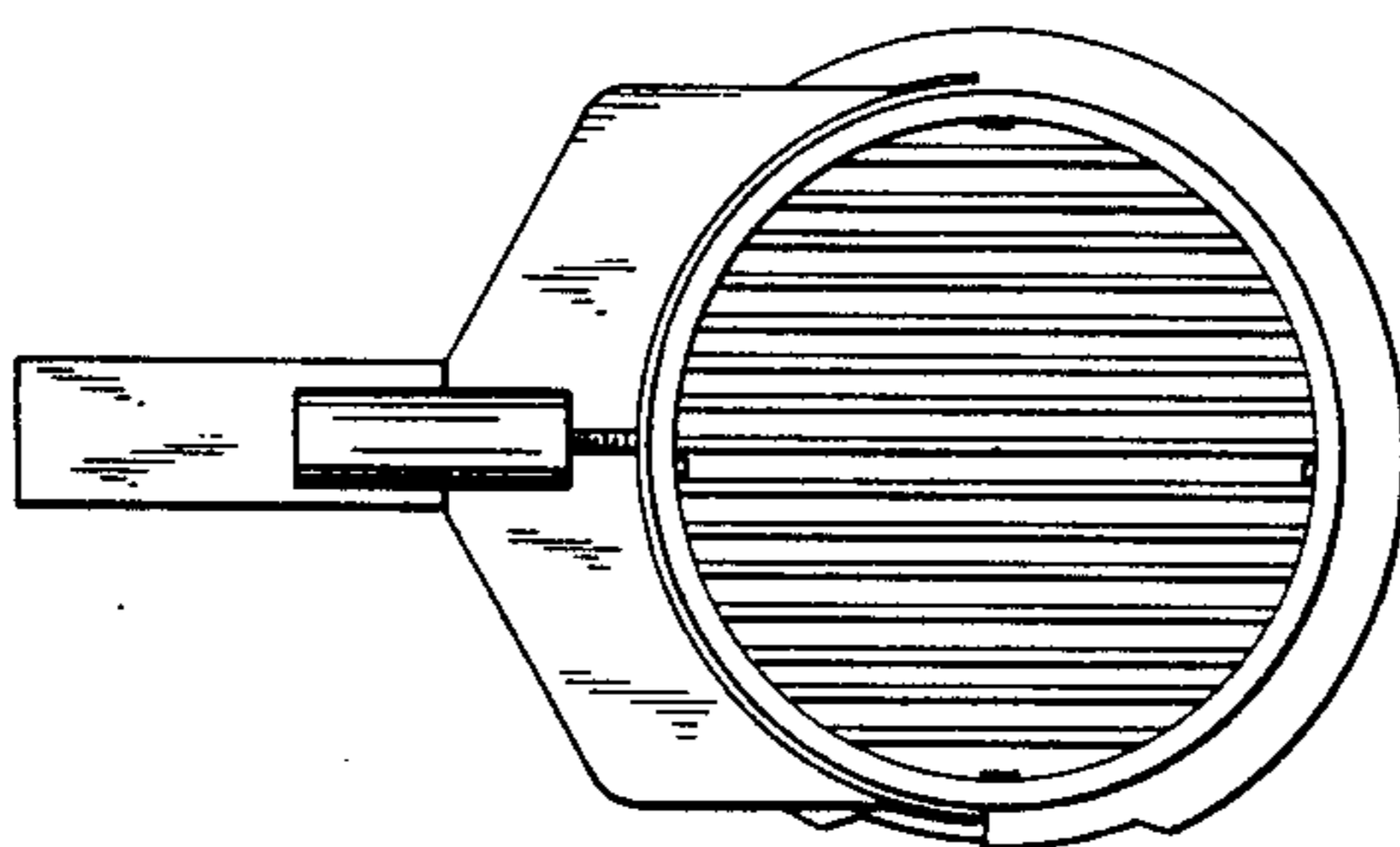
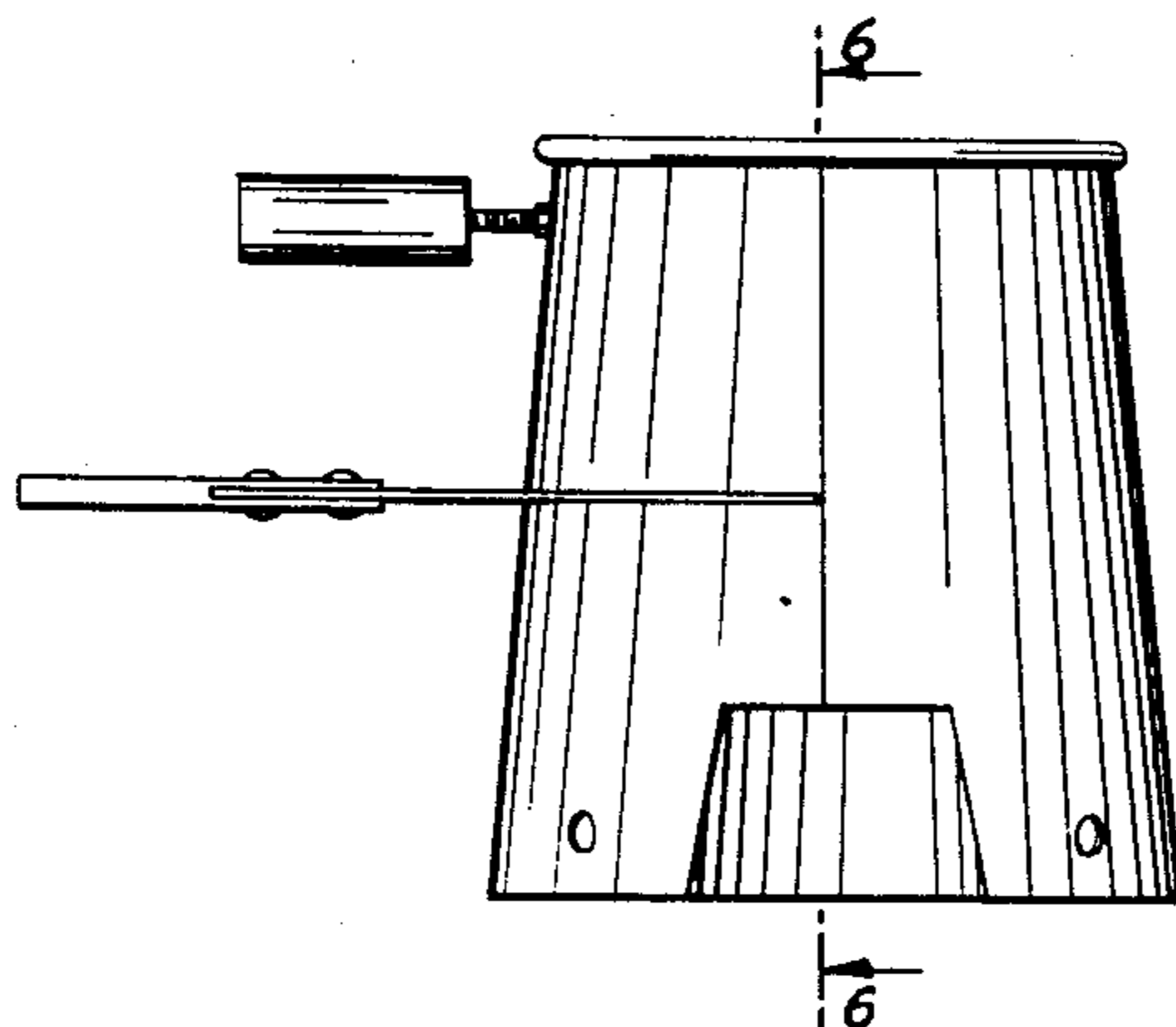


FIG. 1

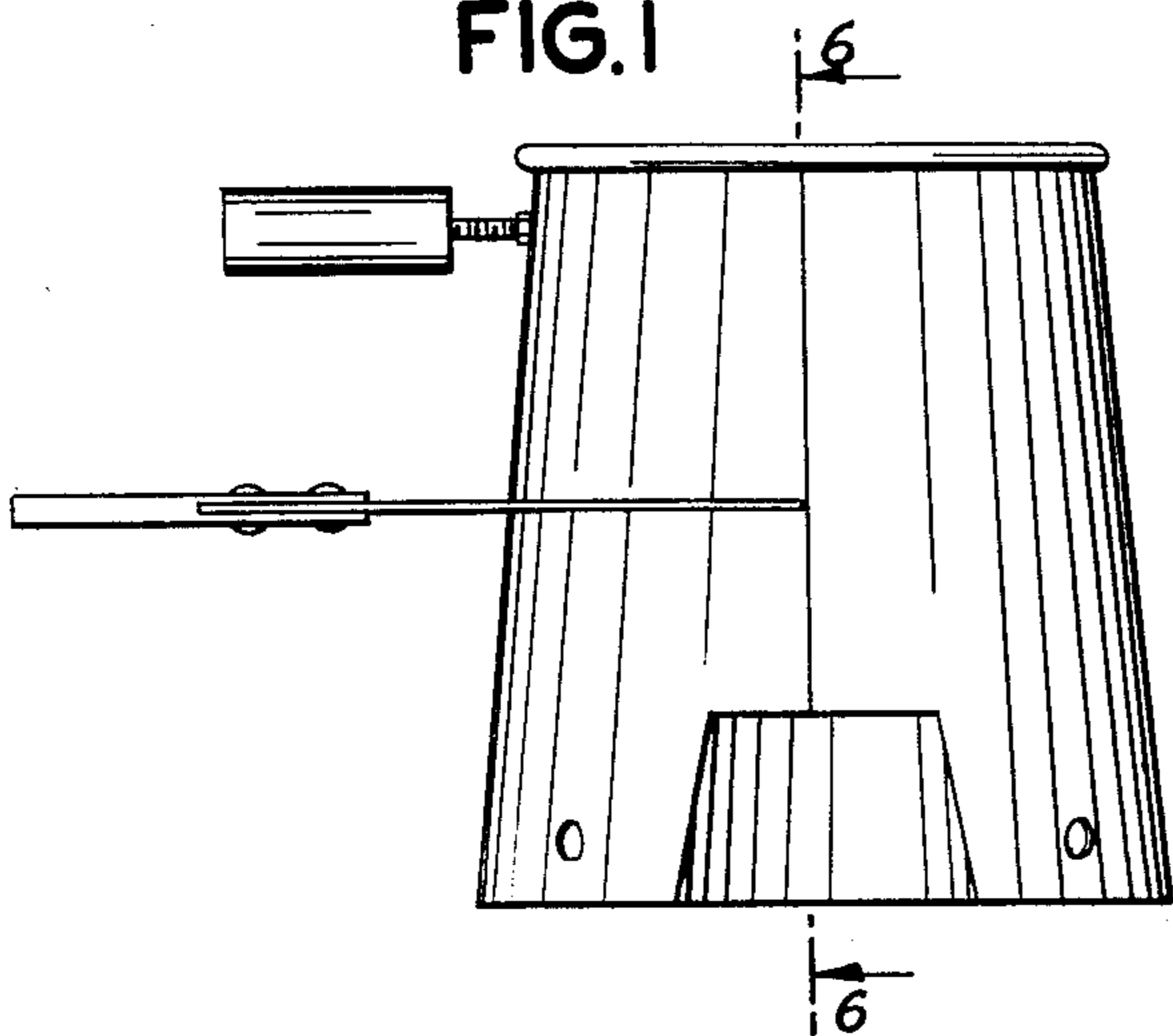


FIG. 2

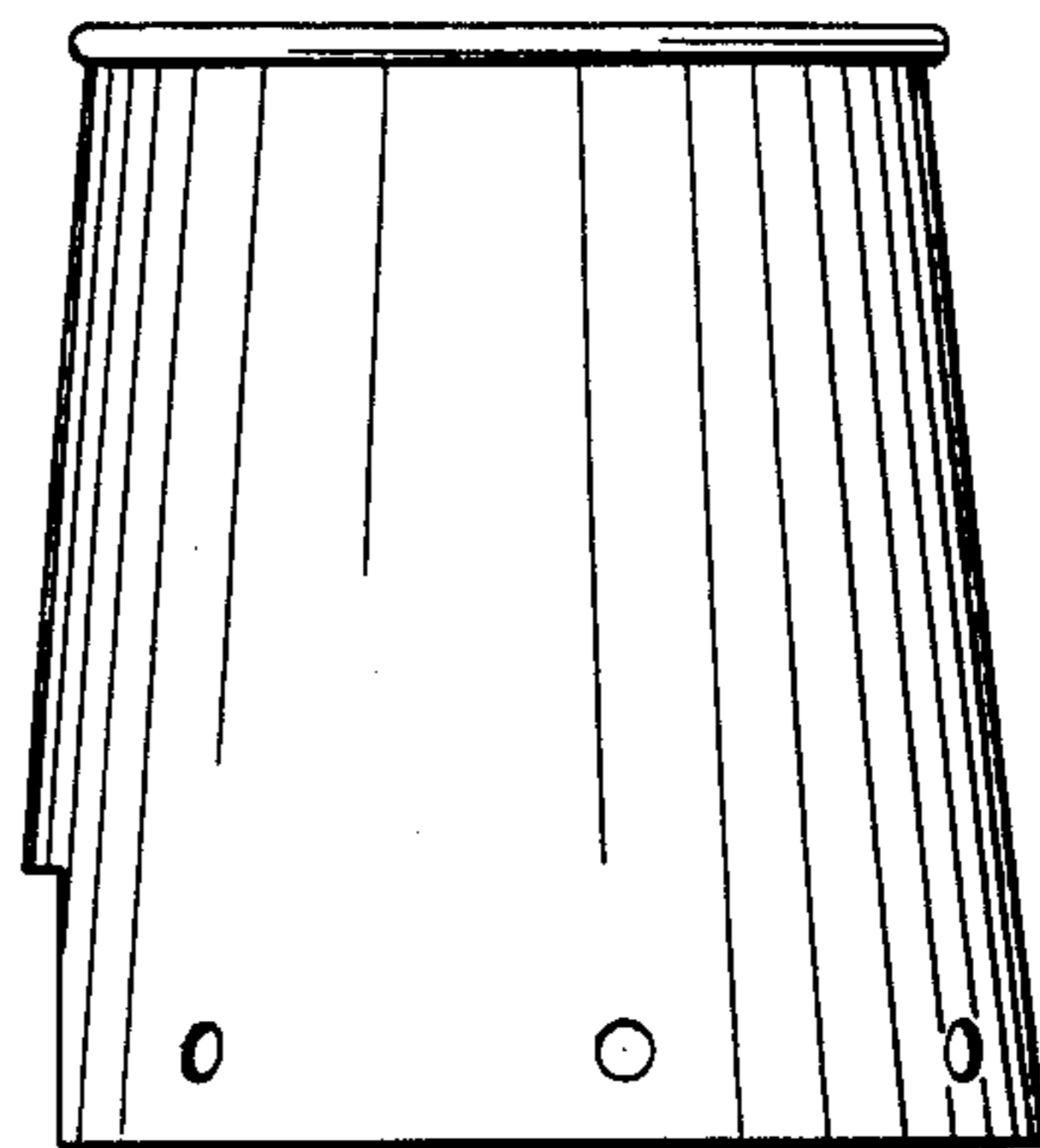


FIG. 3

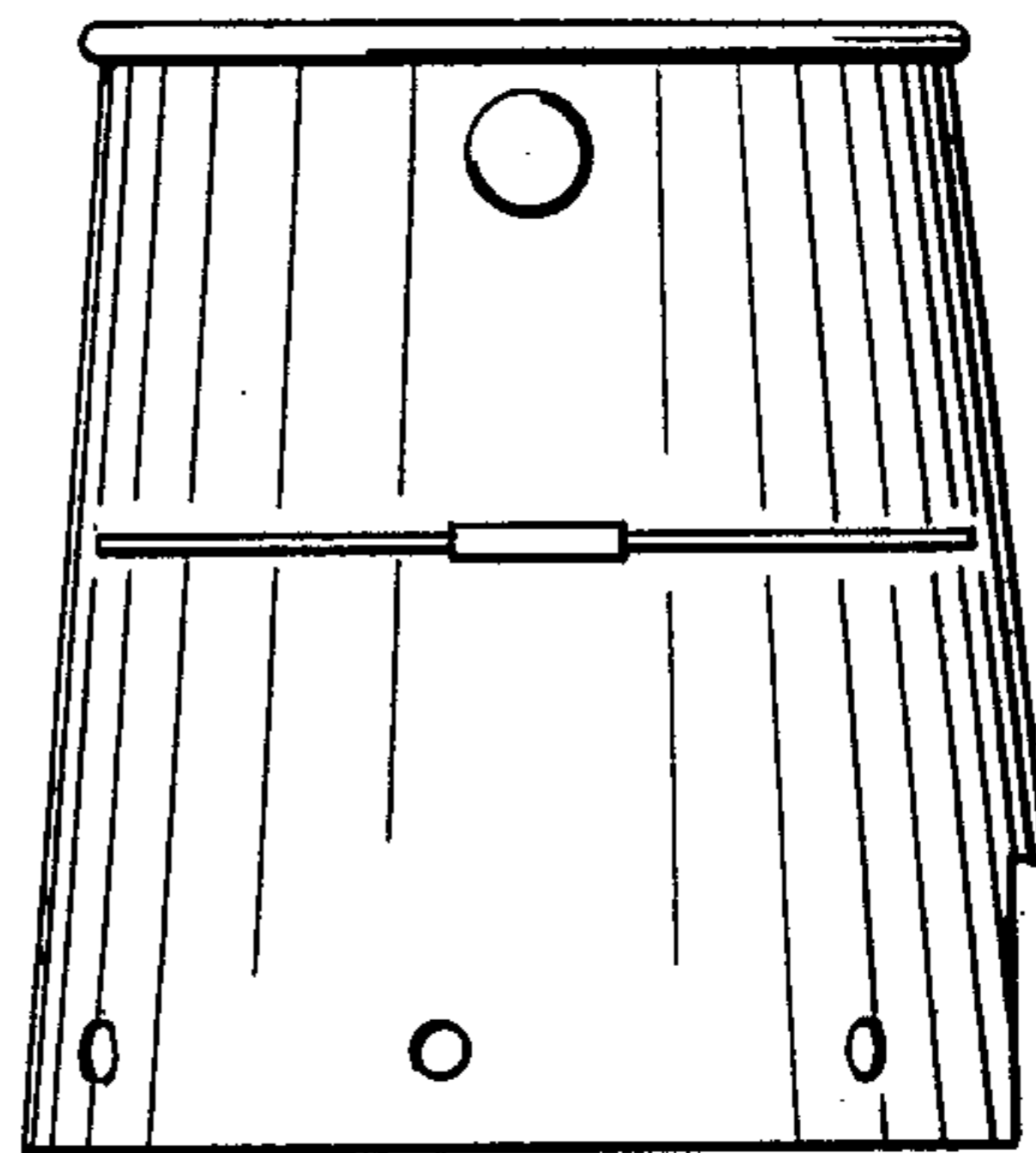


FIG. 4

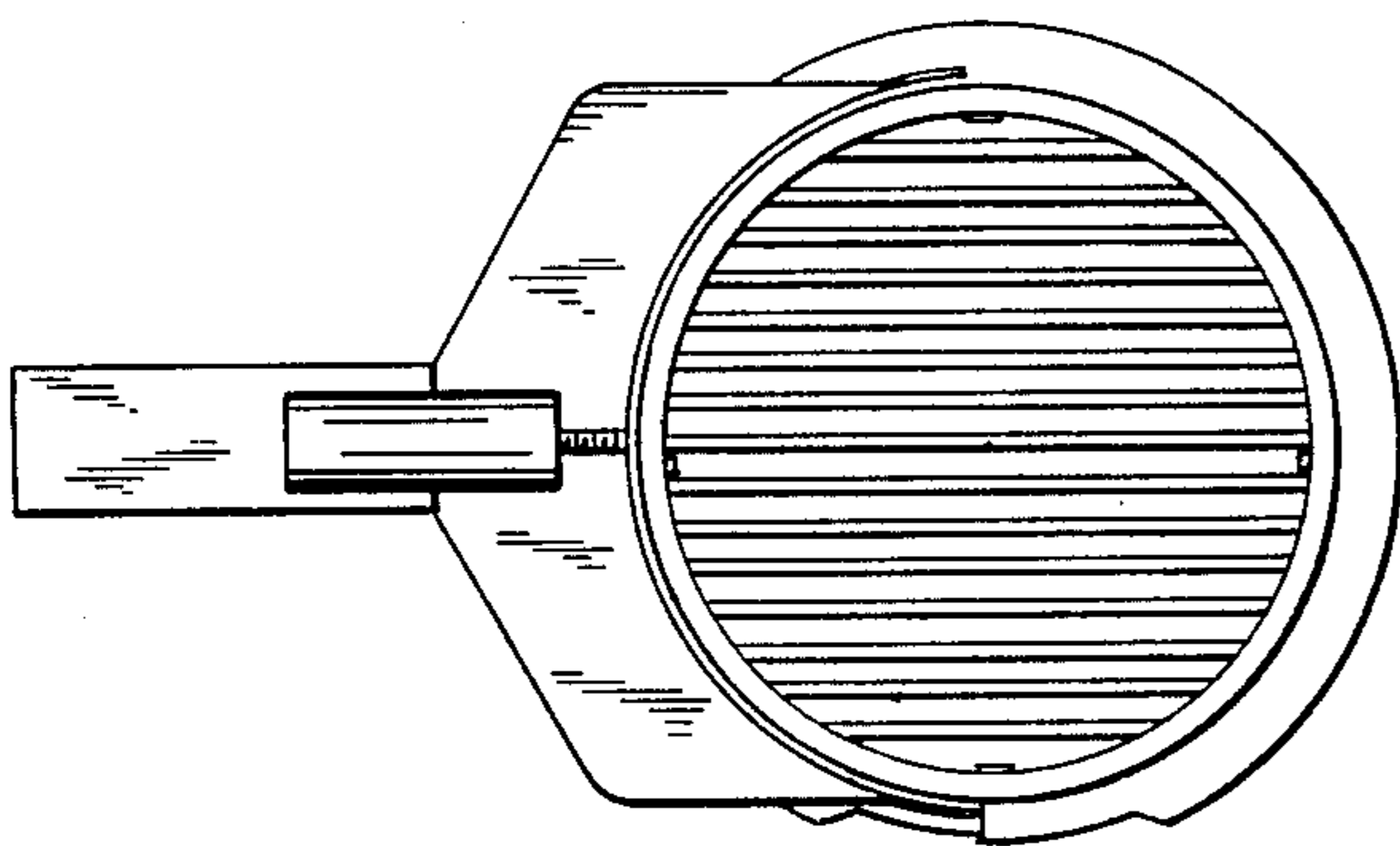


FIG. 5

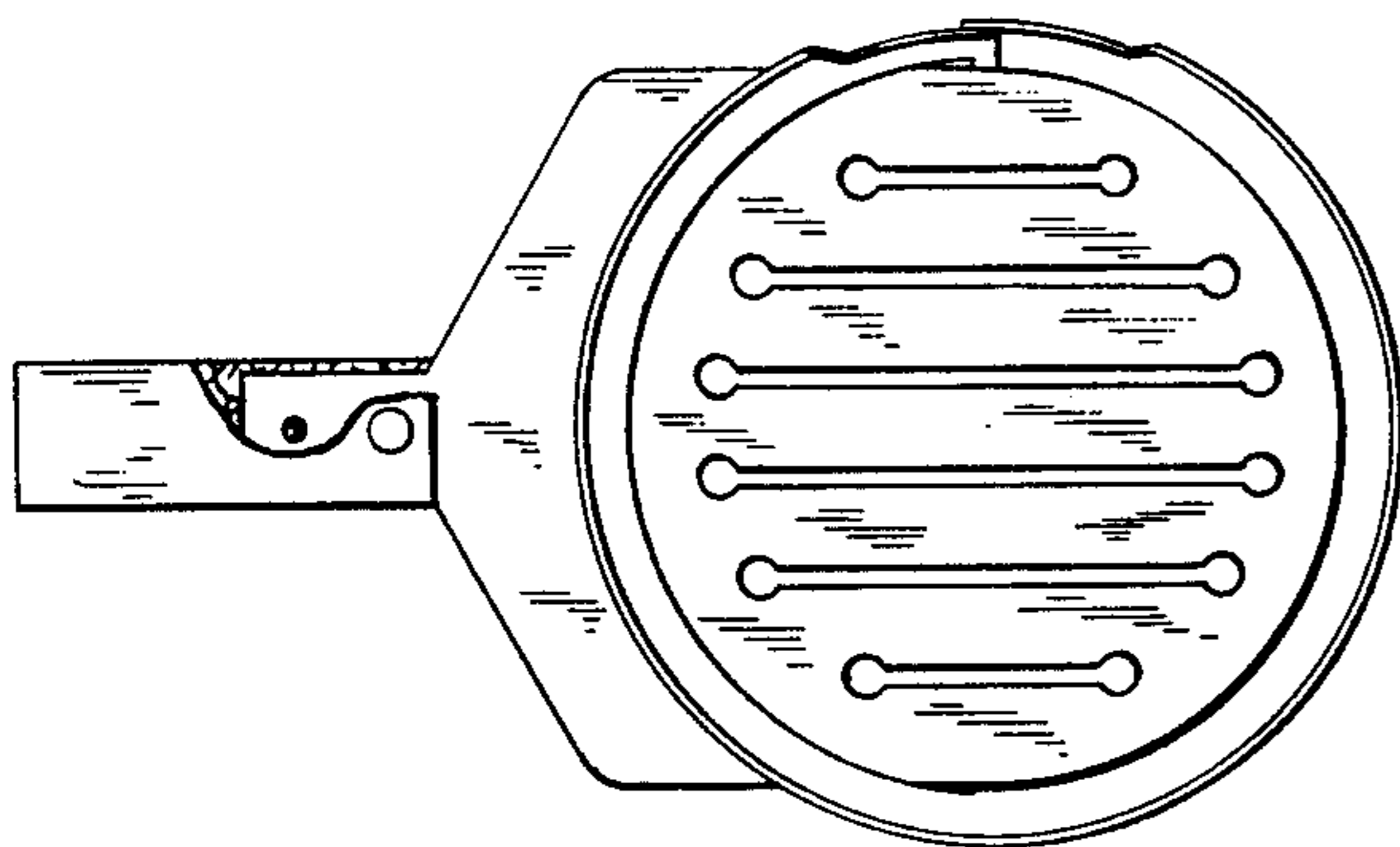


FIG. 6

