

[54] DRAWER

[75] Inventors: Leon G. Litchfield; Terence Hardy, both of Belper, England

[73] Assignee: L. B. (Plastics) Limited, Belper, England

[\*\*] Term: 14 Years

[21] Appl. No.: 872,956

[22] Filed: Jan. 27, 1978

[30] Foreign Application Priority Data

Jul. 29, 1977 [GB] United Kingdom ..... 980963/77

[51] Int. Cl. .... D6-06

[52] U.S. Cl. .... D6/191

[58] Field of Search ..... D6/191, 186; 108/4, 108/5, 6; 312/330, 343, 344, 347, 263

[56] References Cited

U.S. PATENT DOCUMENTS

3,901,572 8/1975 Litchfield ..... 312/263 X  
4,099,815 7/1978 Cox et al. .... 312/330 R

Primary Examiner—Bruce W. Dunkins  
Attorney, Agent, or Firm—Charles O. Marshall, Jr.

[57] CLAIM

The ornamental design for a drawer, as shown and described.

DESCRIPTION

FIG. 1 is a perspective view of the drawer from the rear and one side;

FIG. 2 is a side view of the drawer;

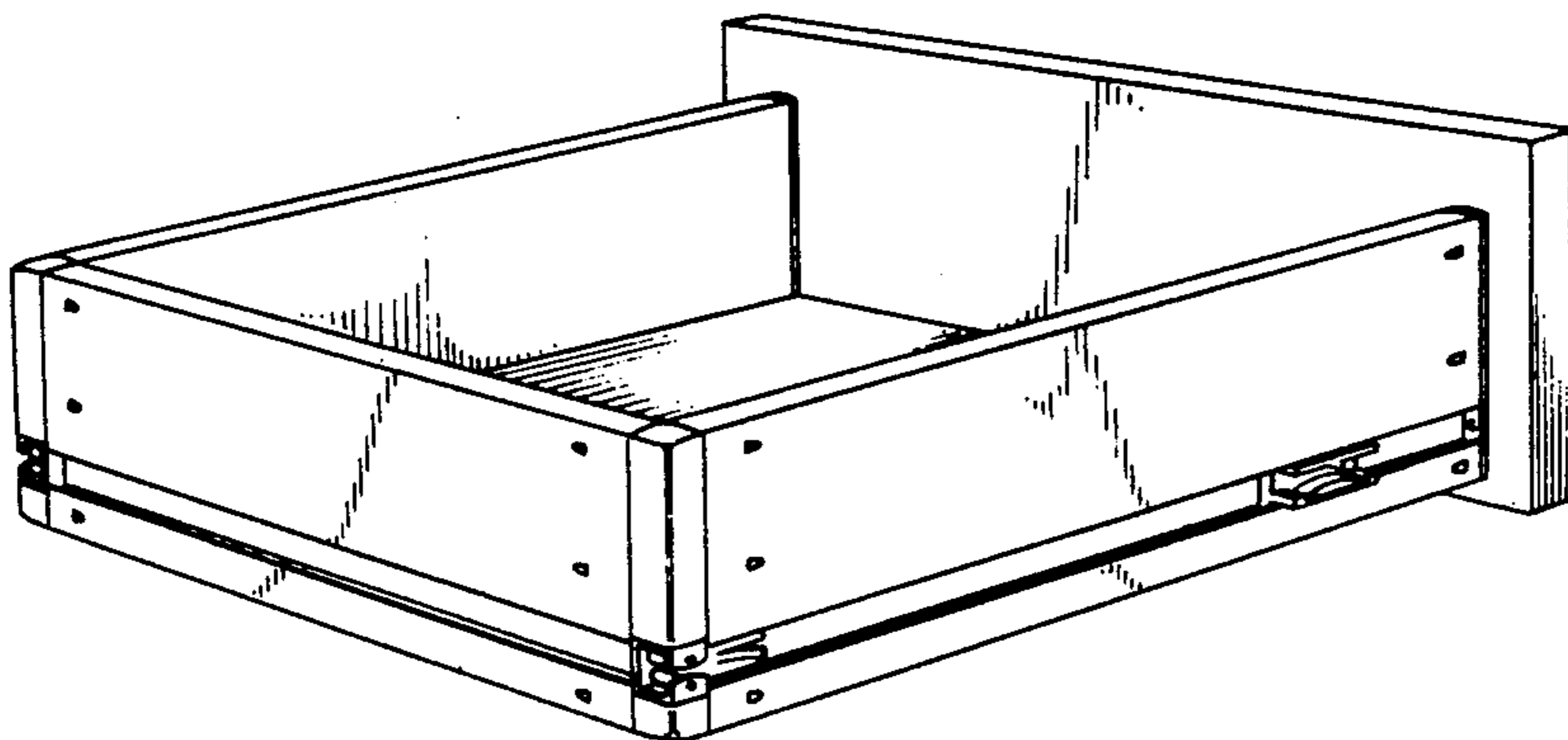
FIG. 3 is a rear view of the drawer;

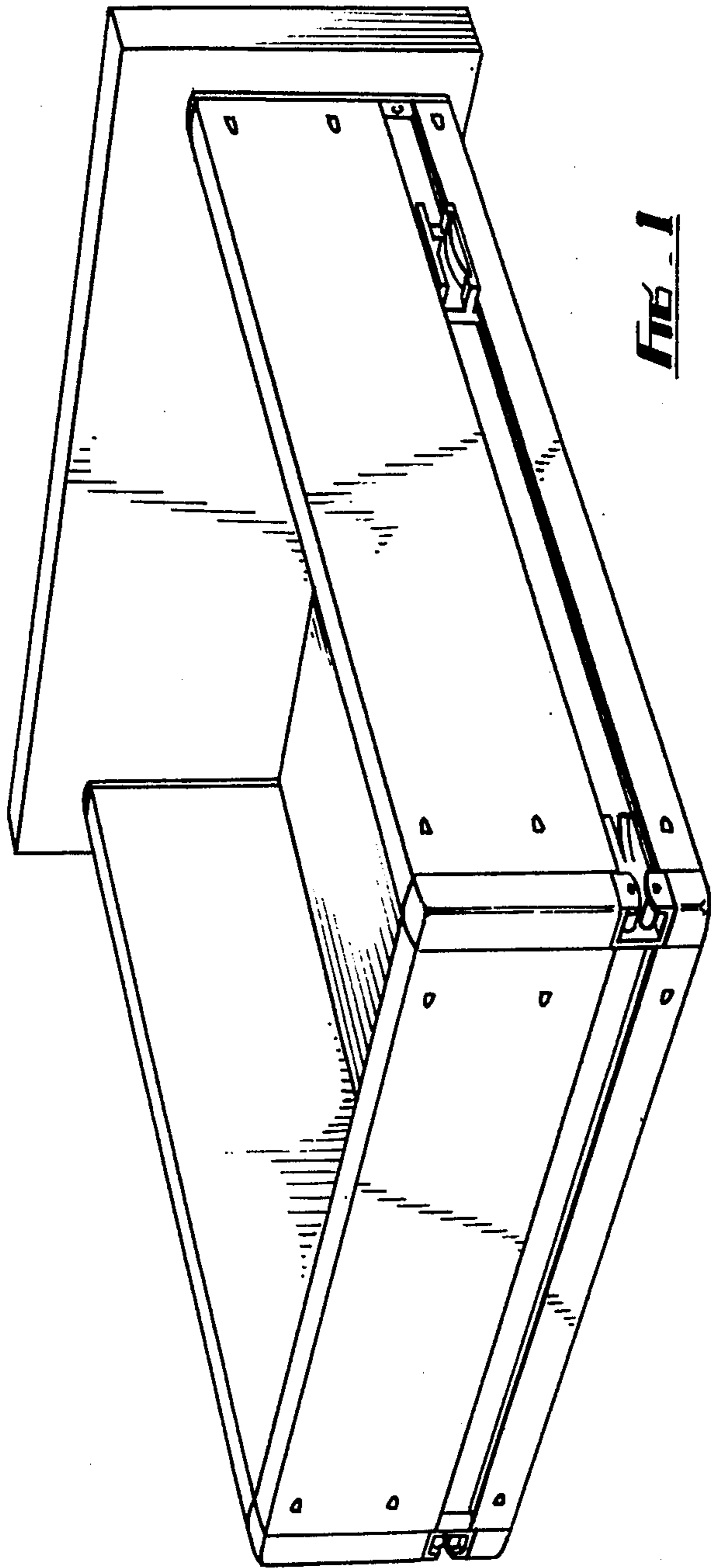
FIG. 4 is a front view of the drawer; and

FIG. 5 is a plan view of the drawer.

The side of the drawer not shown is a mirror image of the side shown in FIG. 2.

The design is characterized by the combination of the specifically configured rear portion of the drawer and the particular side panel as best illustrated in FIG. 1.





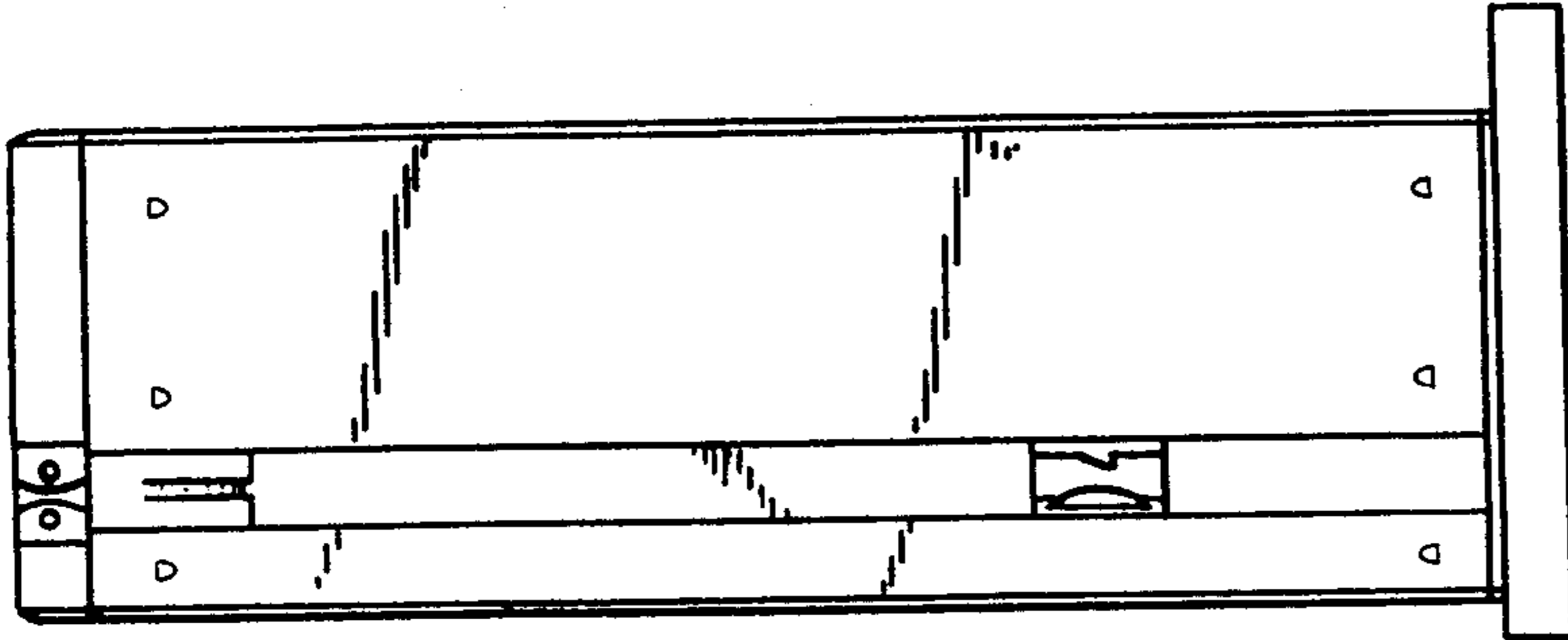


FIG. 2

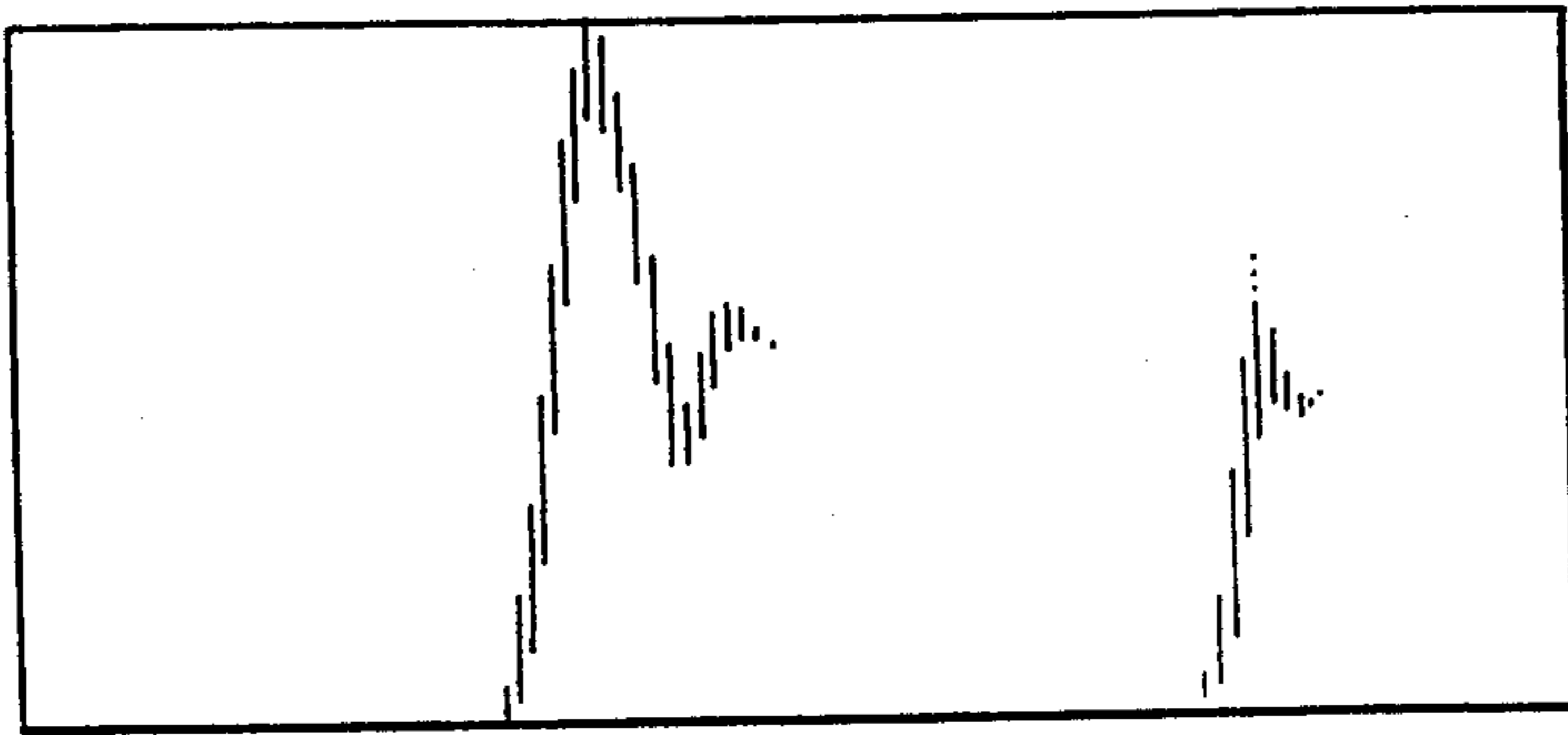


FIG. 4

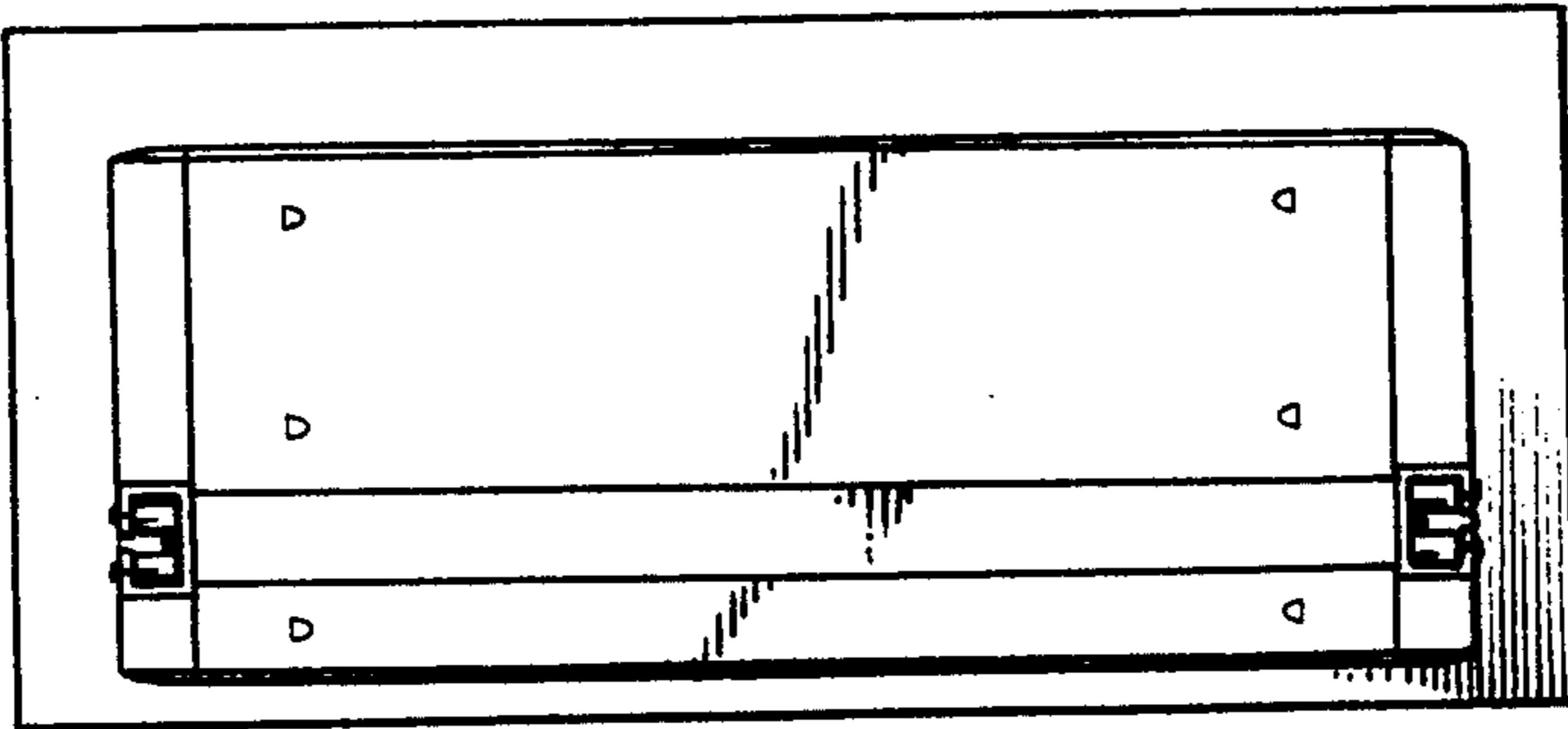


FIG. 3

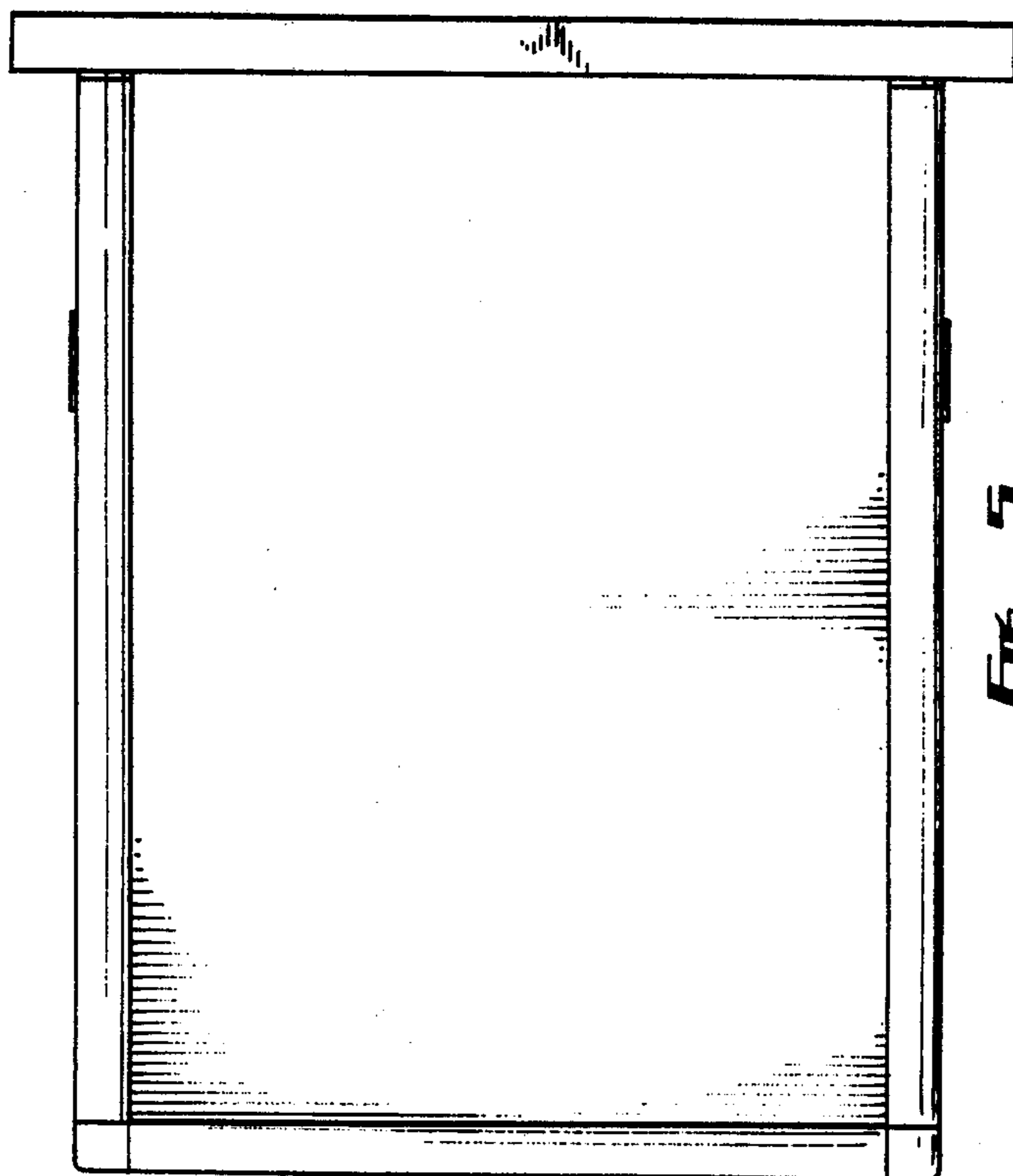


Fig. 5