

[54] CAMERA UTILITY BAG

[76] Inventor: Robert Weinreb, 510 Broadway,  
New York, N.Y. 10012

[\*\*] Term: 14 Years

[21] Appl. No.: 84,780

[22] Filed: Oct. 15, 1979

[51] Int. Cl. .... D3-02

[52] U.S. Cl. .... D3/33

[58] Field of Search ..... D3/30, 33, 35, 42, 48,  
D3/51, 53, 71, 74, 79; 150/52 R, 52 J

[56] References Cited

U.S. PATENT DOCUMENTS

D. 135,762	6/1943	Grover	.....	D3/33
D. 194,139	11/1962	Parsell	.....	D3/33
D. 194,140	11/1962	Weintraub	.....	D3/33
D. 217,414	4/1970	Lang et al.	.....	D3/33
D. 247,460	3/1978	Sykes	.....	D3/33
D. 247,525	3/1978	Sykes	.....	D3/33
D. 249,824	10/1978	Koszegi	.....	D3/33
2,691,401	10/1954	Kontoff et al.	.....	150/52 J
2,707,506	5/1955	Kontoff et al.	.....	150/52 J
2,827,096	3/1958	Hinson	.....	150/52 J

2,906,137	11/1960	Lipsitz	.....	150/52 J
2,988,125	6/1961	Reynolds	.....	150/52 J
3,001,566	9/1961	Lipsitz	.....	150/12
3,793,528	2/1974	Takeda	.....	150/52 J

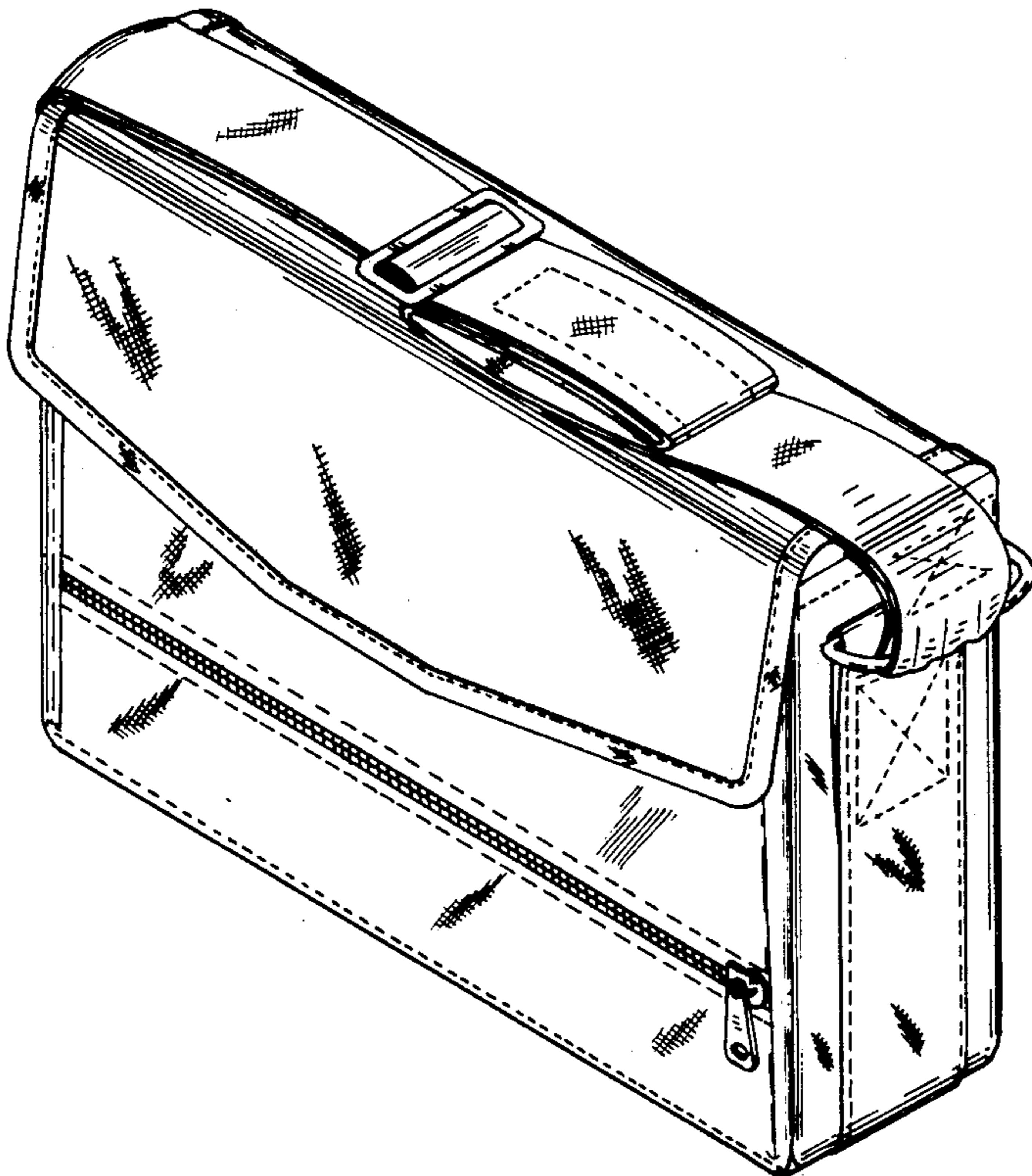
Primary Examiner—George P. Word  
Attorney, Agent, or Firm—Mark H. Sparrow

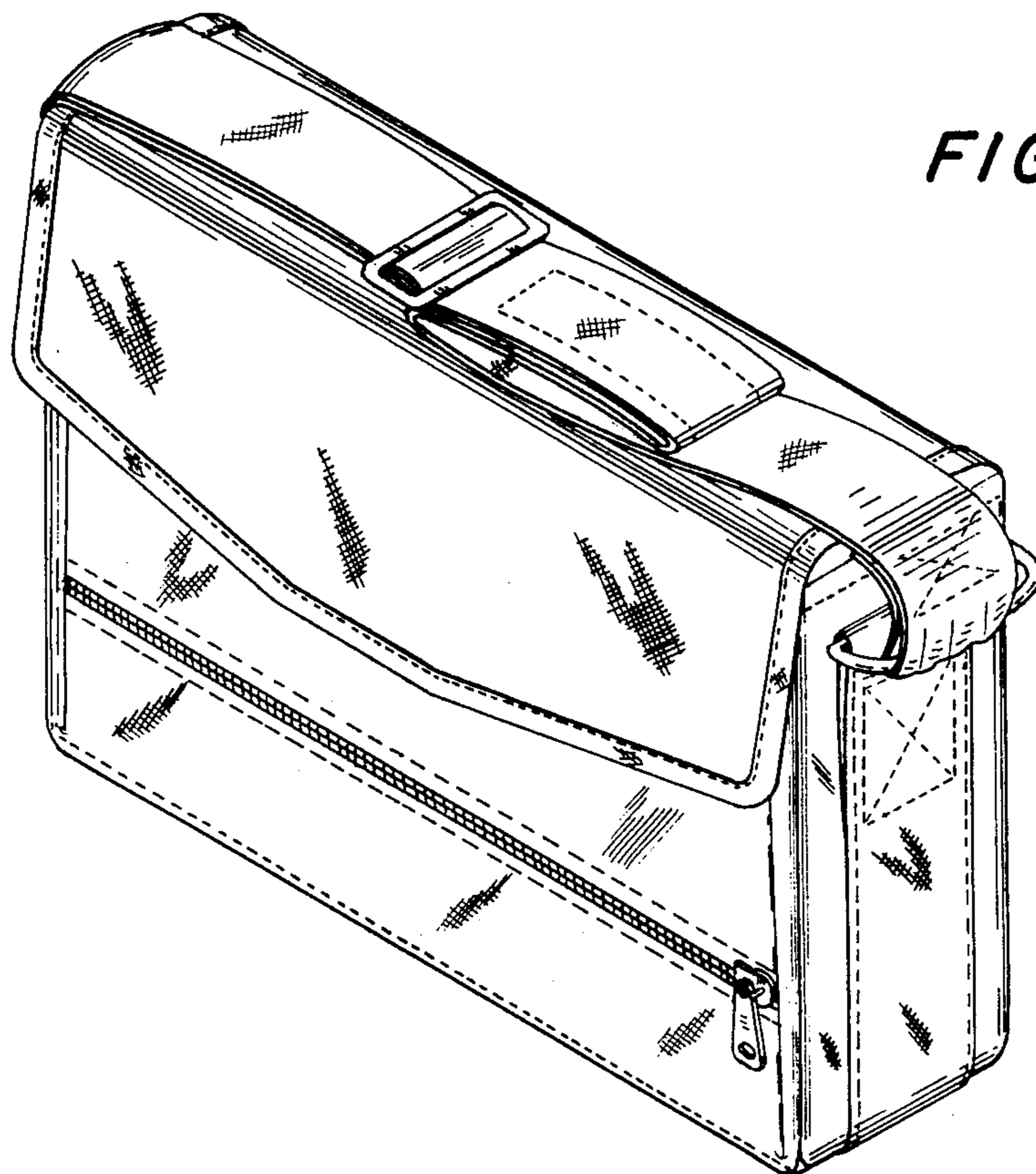
[57] CLAIM

The ornamental design for a camera utility bag, as shown and described.

DESCRIPTION

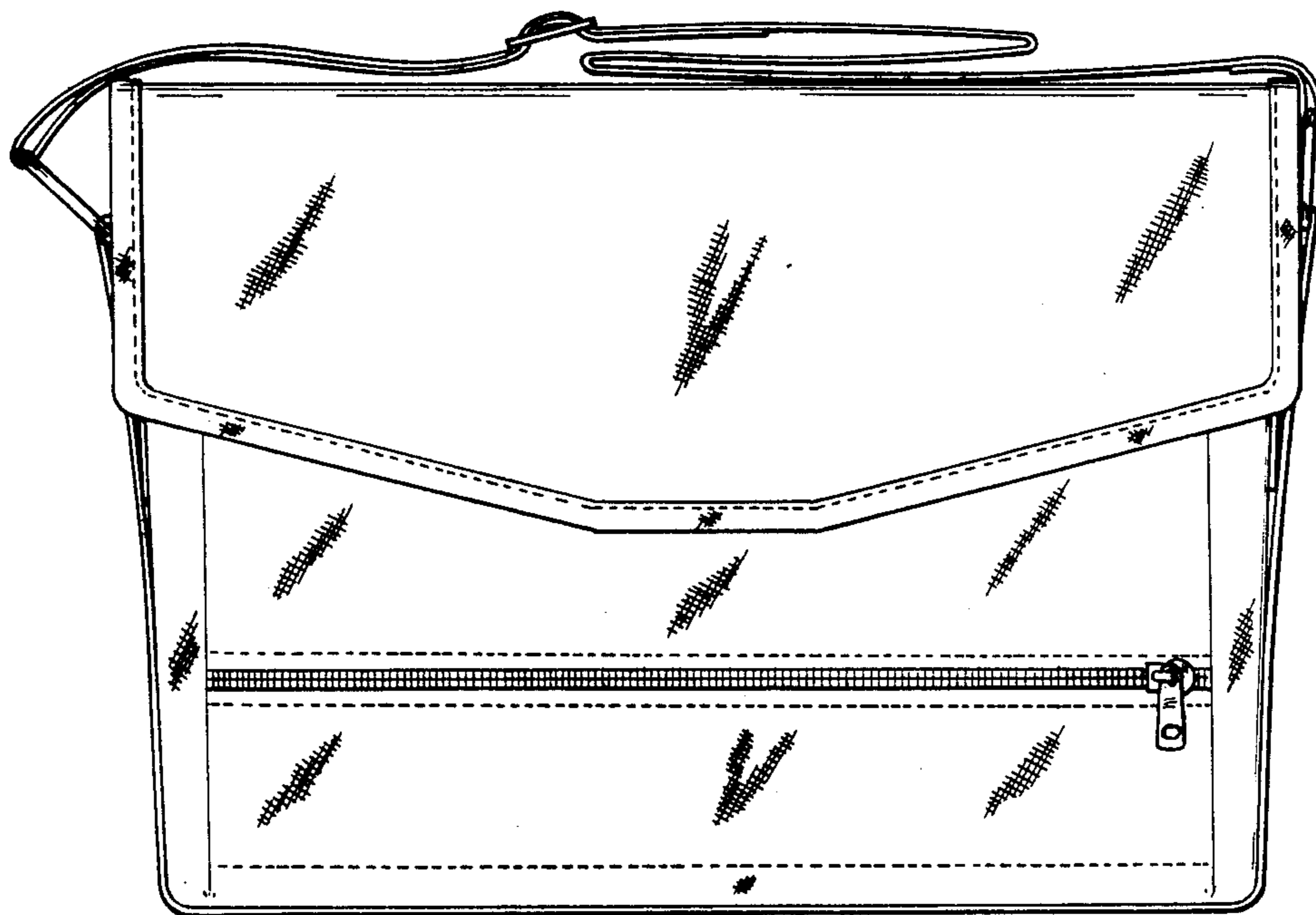
FIG. 1 is a perspective view of a camera utility bag showing my new design;  
FIG. 2 is a front elevational view;  
FIG. 3 is a rear elevational view;  
FIG. 4 is a right side elevational view;  
FIG. 5 is a left side elevational view;  
FIG. 6 is a top plan view;  
FIG. 7 is a bottom plan view; and  
FIG. 8 is a perspective view with the top and front compartments of the bag opened.  
The partial showing of surface shading indicating a fabric texture is understood to be continuous on those surfaces where shown.



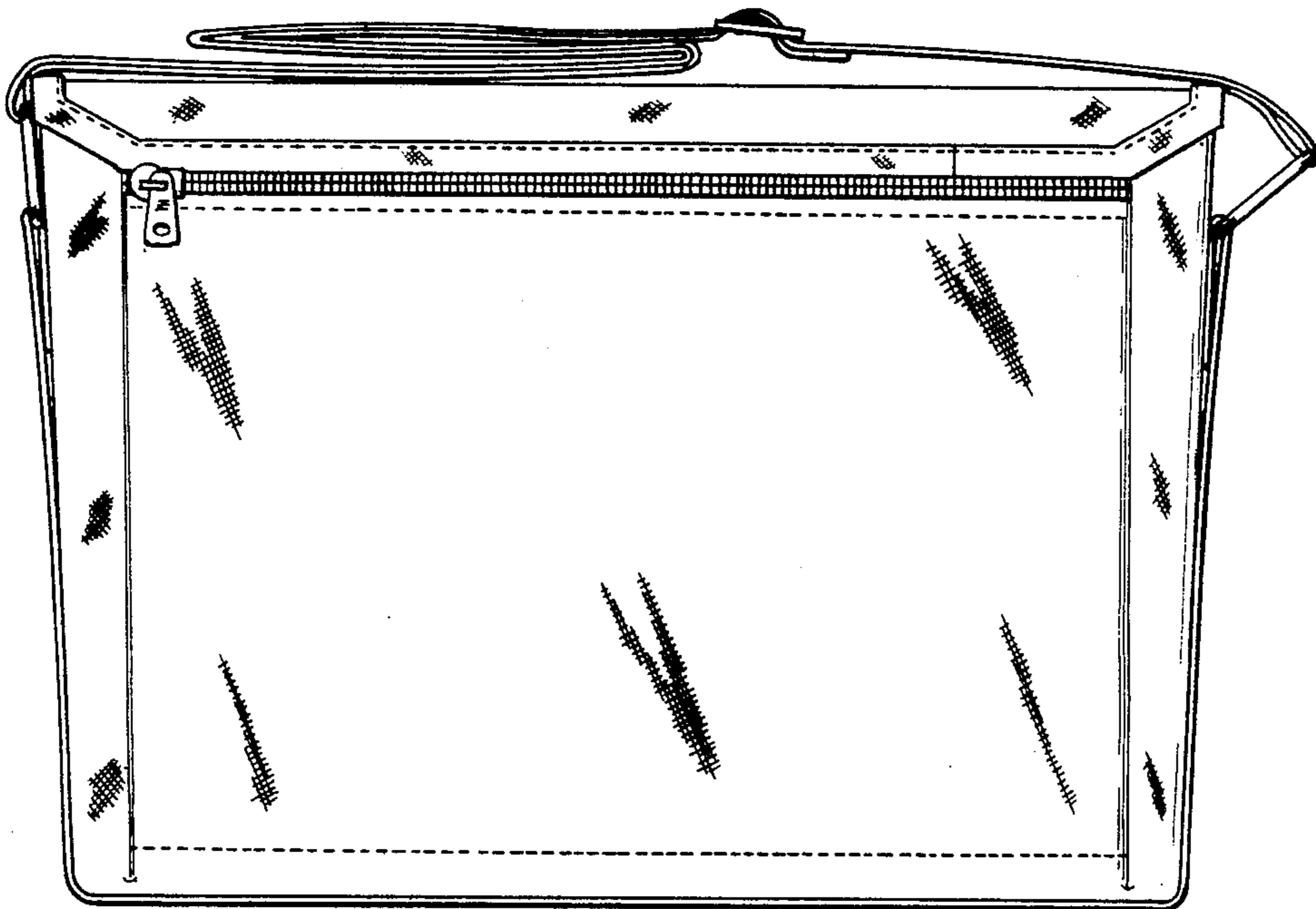


*FIG. 1*

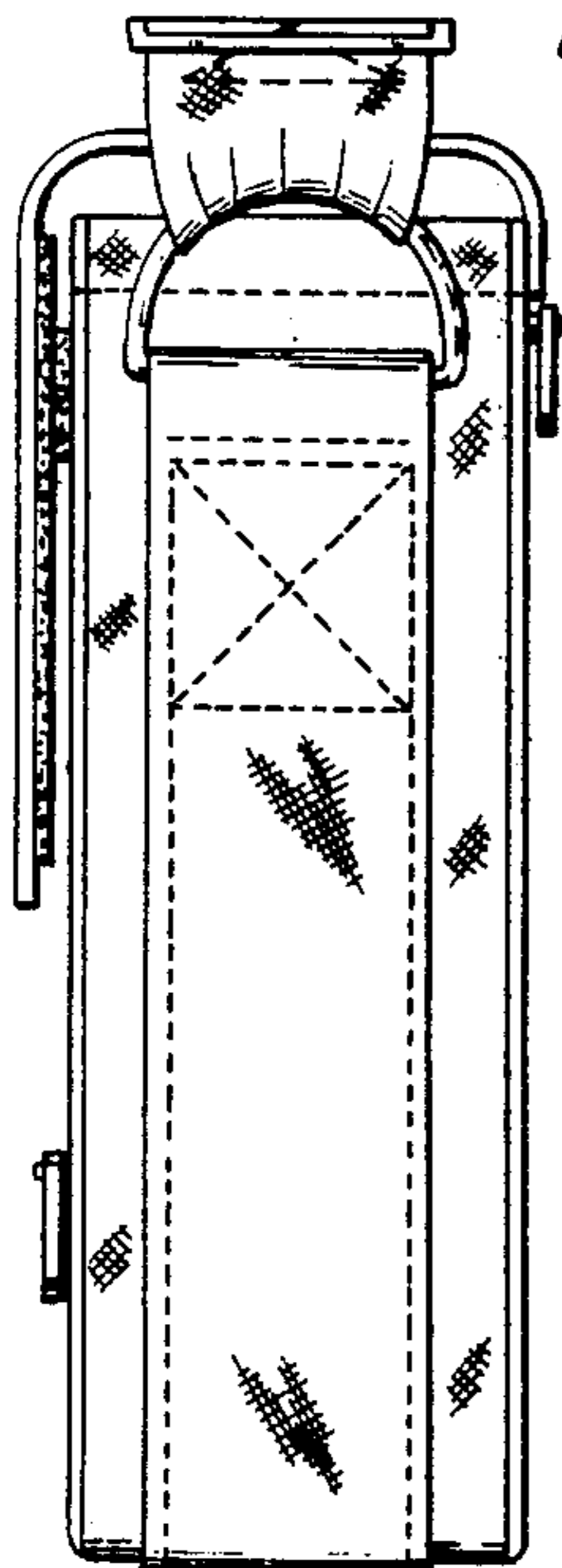
*FIG. 2*



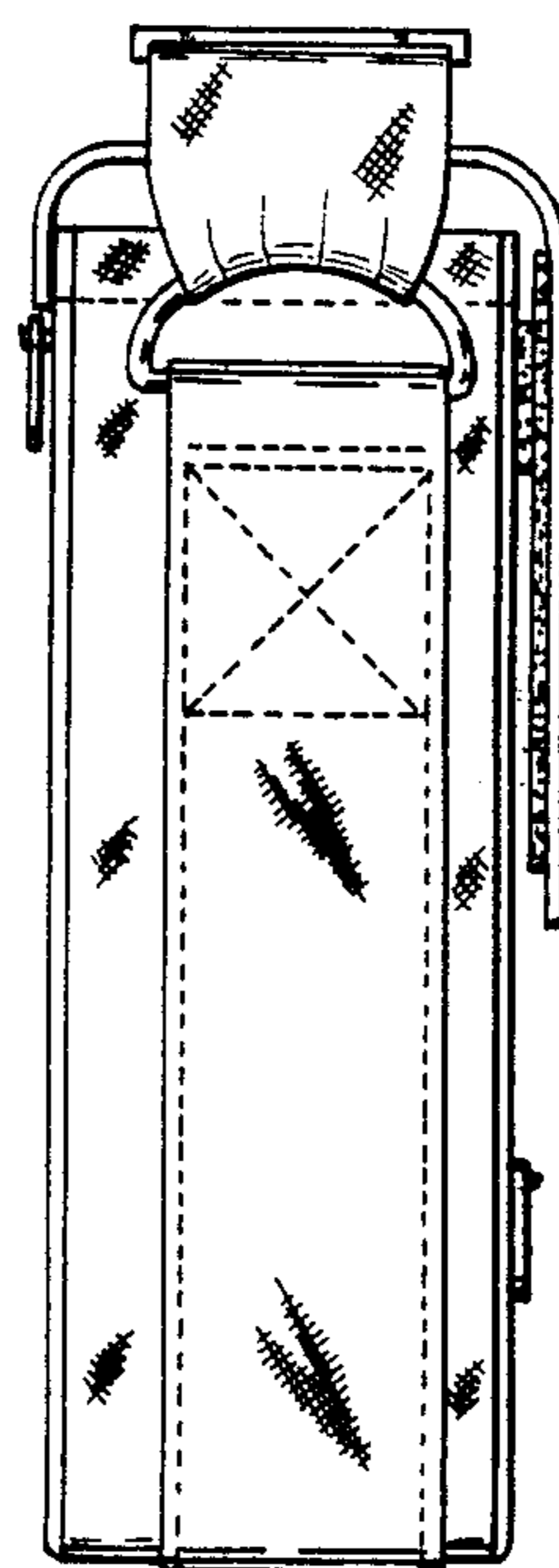
*FIG. 3*



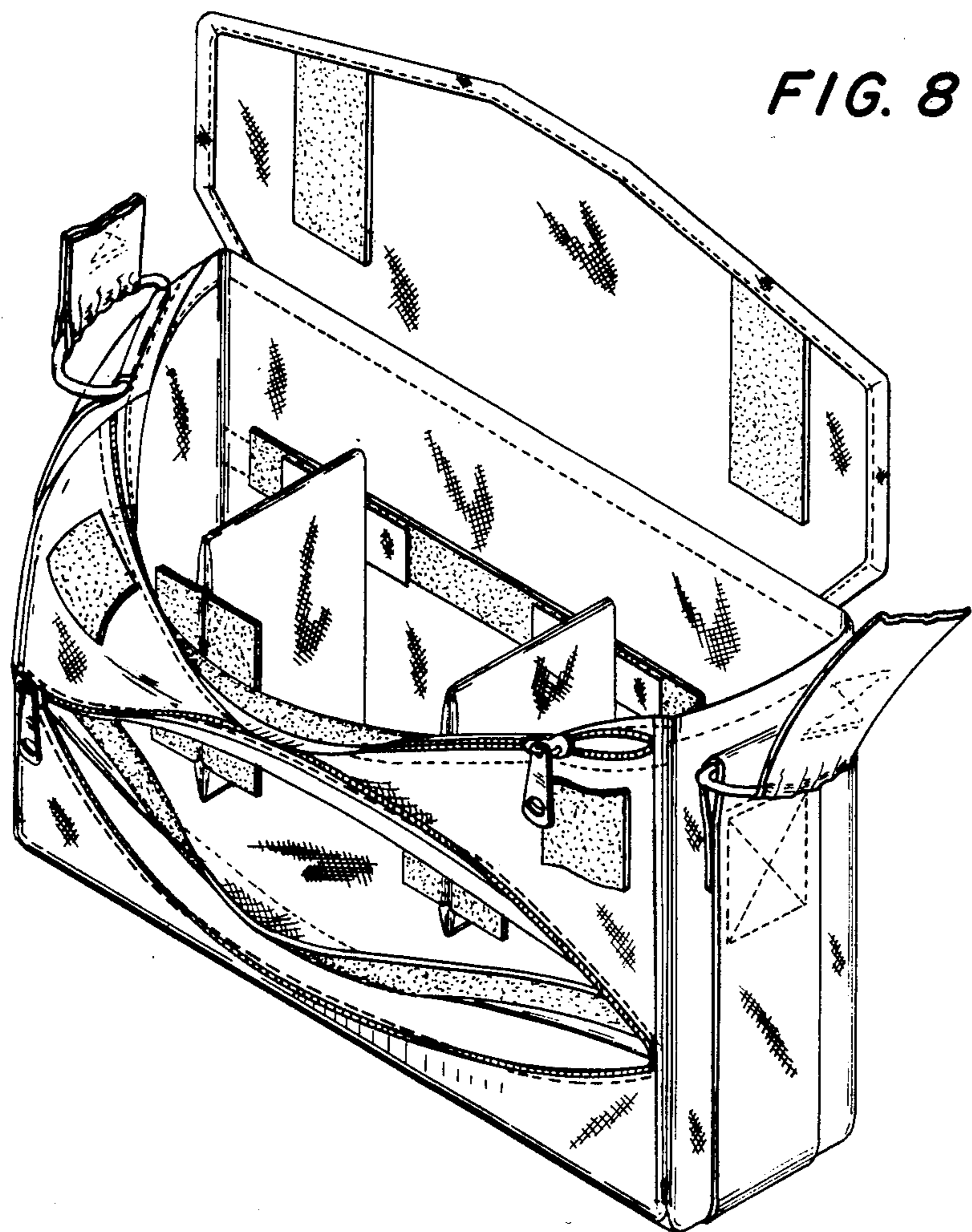
*FIG. 4*



*FIG. 5*

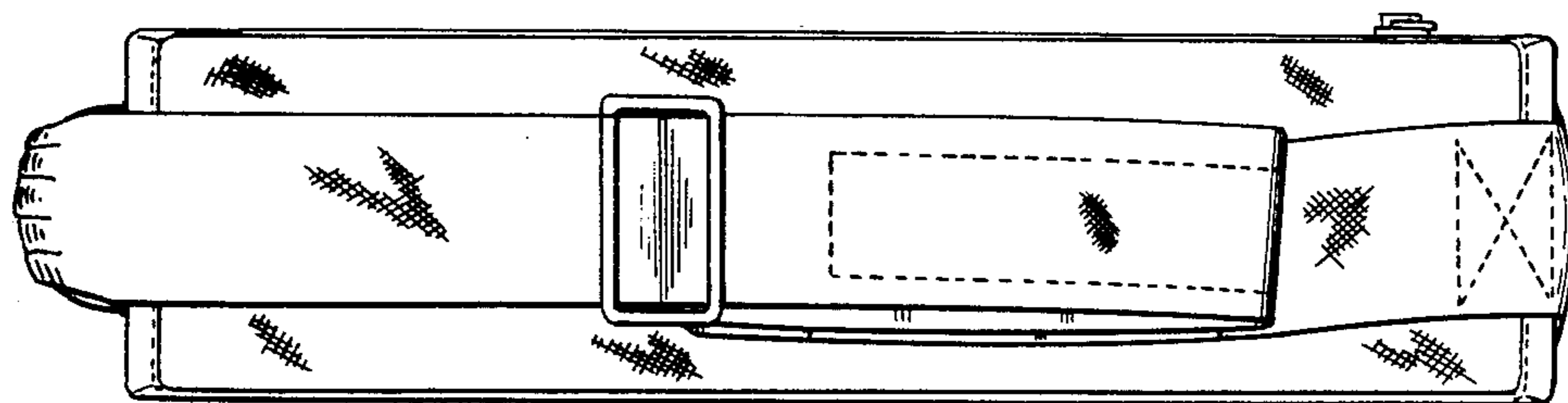






*FIG. 8*

*FIG. 6*



*FIG. 7*

