

[54] **THREAD STAND**

[75] **Inventor:** Lee R. McQueen, El Paso, Tex.

[73] **Assignee:** Levi Strauss & Co., San Francisco, Calif.

[**] **Term:** 14 Years

[21] **Appl. No.:** 948,046

[22] **Filed:** Oct. 2, 1978

[51] **Int. Cl.** D06—99

[52] **U.S. Cl.** D3/25

[58] **Field of Search** D3/18, 20, 23, 24, 25;
D6/28, 24; 223/106, 108; 242/134, 139, 140;
211/59.1, 182; 248/218.4, 219.4; D14/86, 90;
D15/78

[56]

References Cited

U.S. PATENT DOCUMENTS

D. 209,147	11/1967	Johnson	D14/68
1,165,042	12/1915	Trimpey	223/106
2,430,832	11/1947	Smith	242/139
2,497,359	2/1950	Isabelle, Sr.	D3/25

Primary Examiner—Joel Stearman
Assistant Examiner—Carmen H. Vales
Attorney, Agent, or Firm—Karl A. Limbach

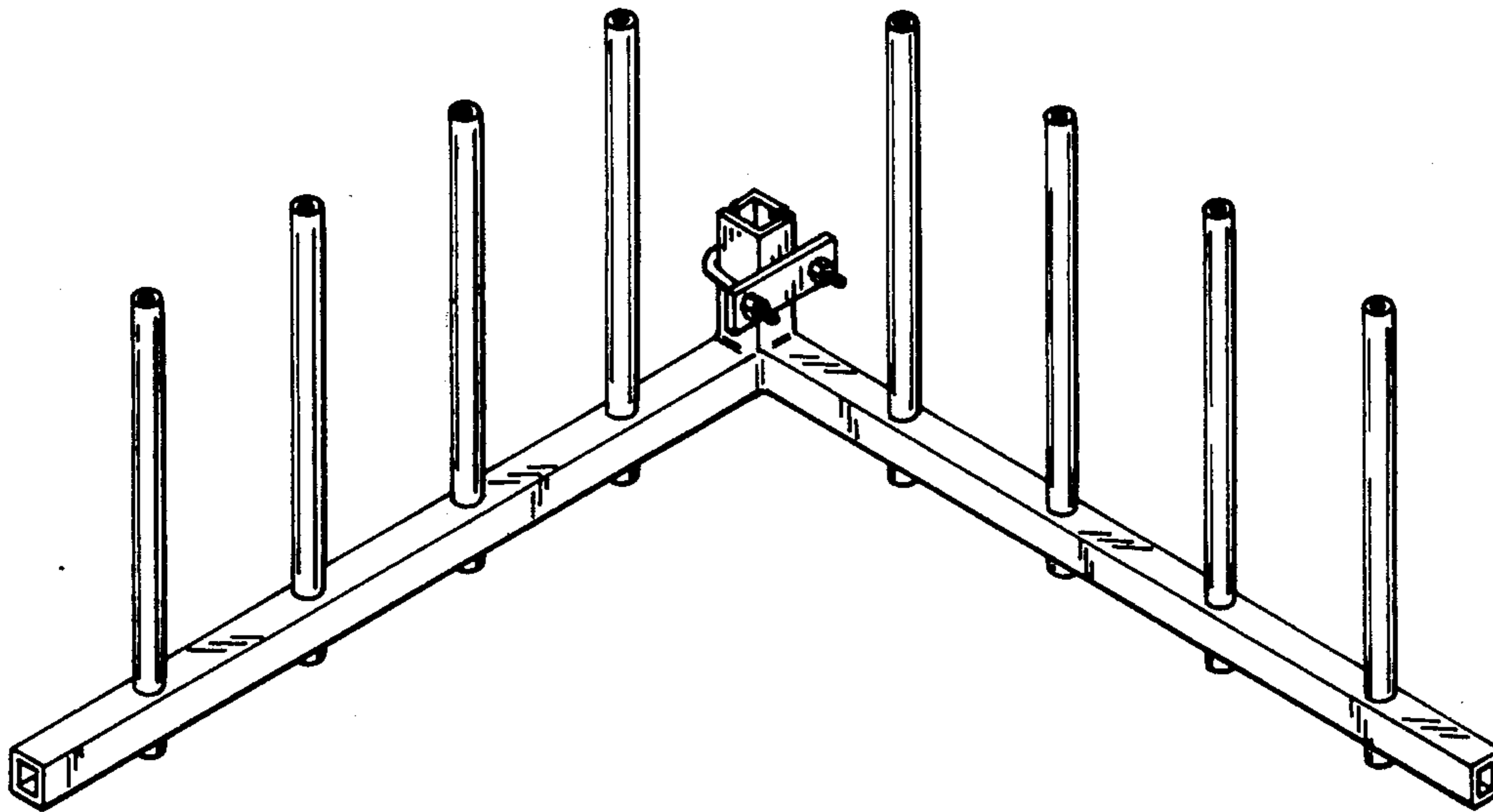
[57]

CLAIM

The ornamental design for a thread stand, as shown and described.

DESCRIPTION

FIG. 1 is a top perspective view of a thread stand showing my new design;
FIG. 2 is a top plan view thereof;
FIG. 3 is a front elevational view thereof;
FIG. 4 is a right side elevational view thereof;
FIG. 5 is a left side elevational view thereof;
FIG. 6 is a rear elevational view thereof; and
FIG. 7 is a bottom plan view thereof.



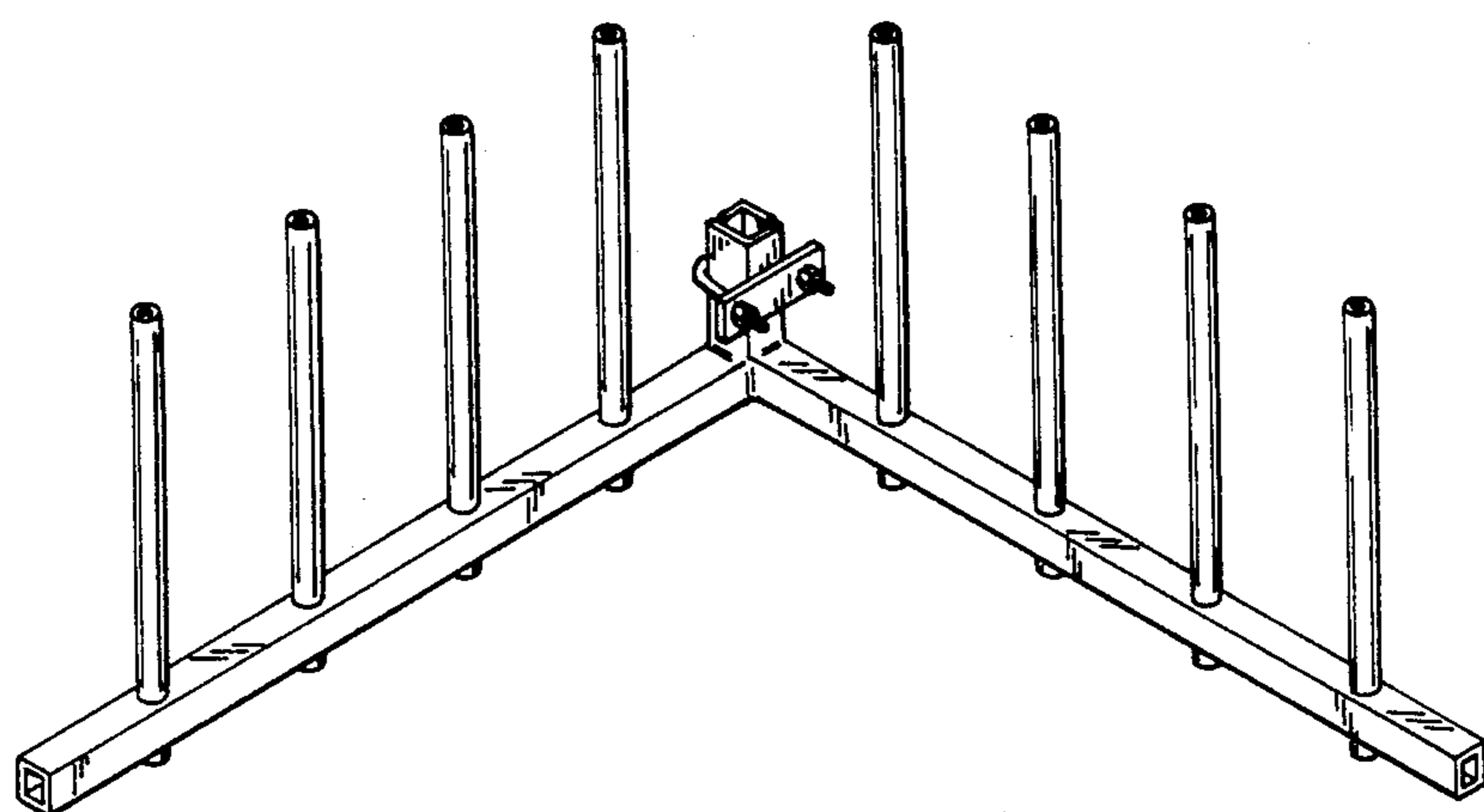


Fig. 1.

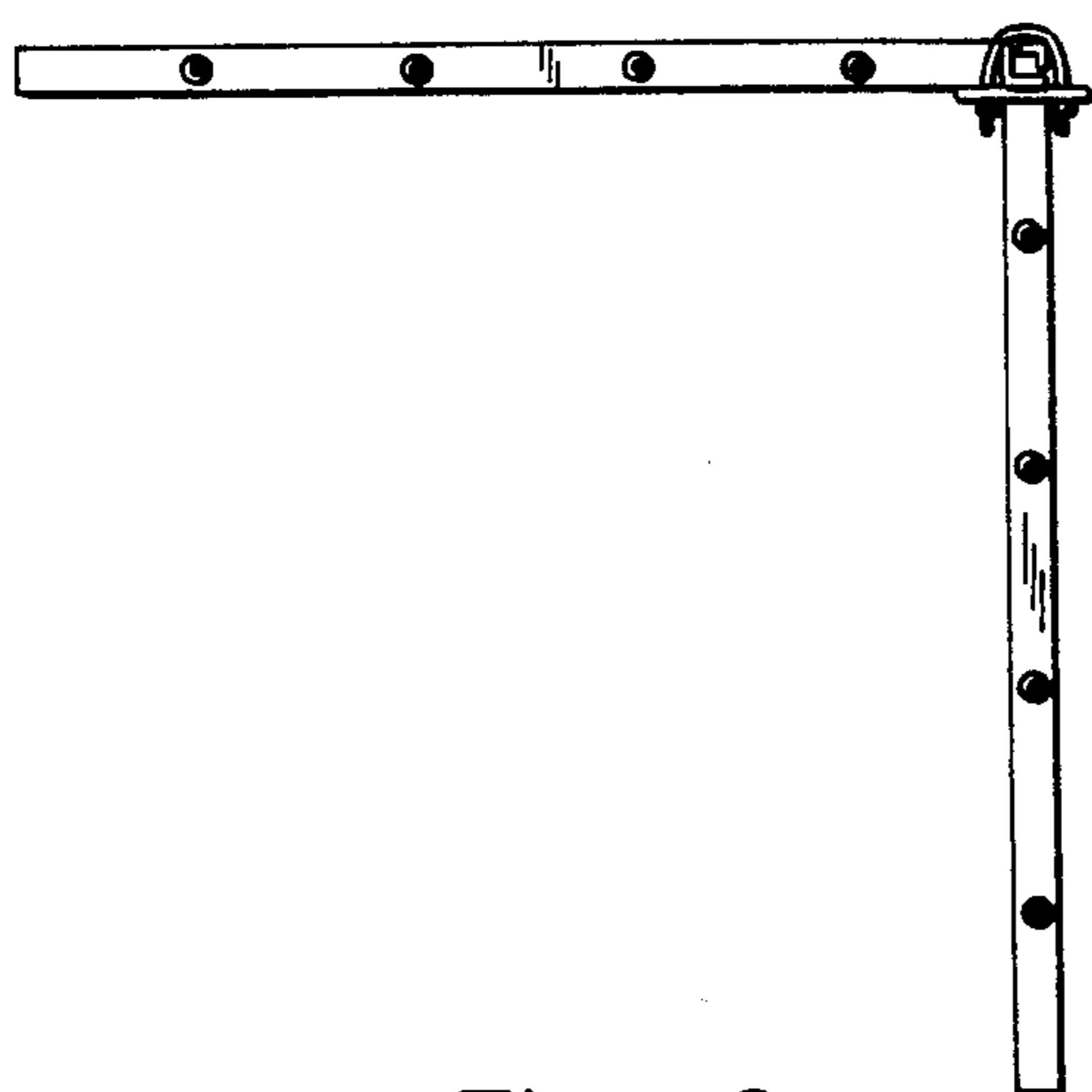


Fig. 2.

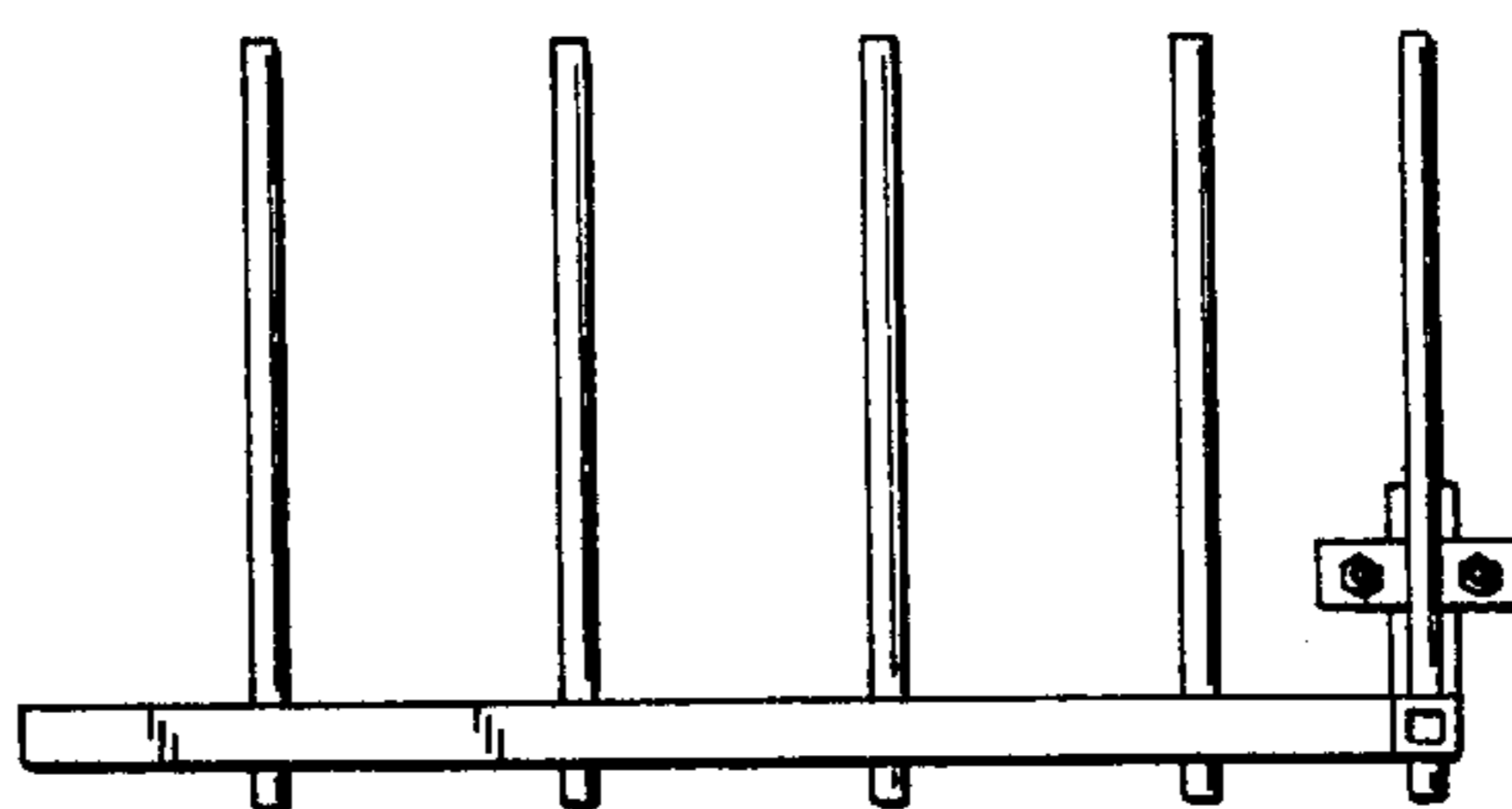


Fig. 3.

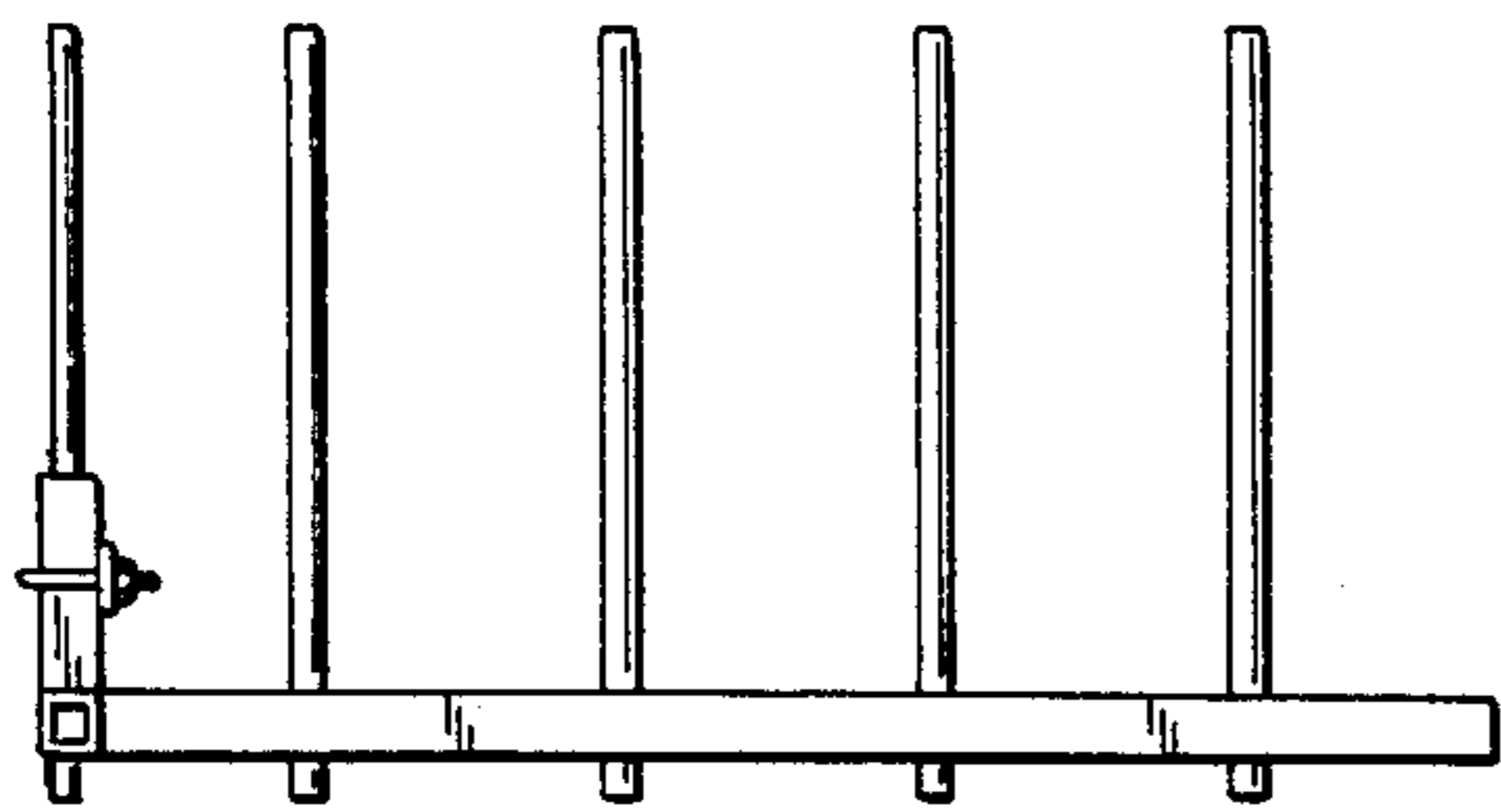


Fig. 5.

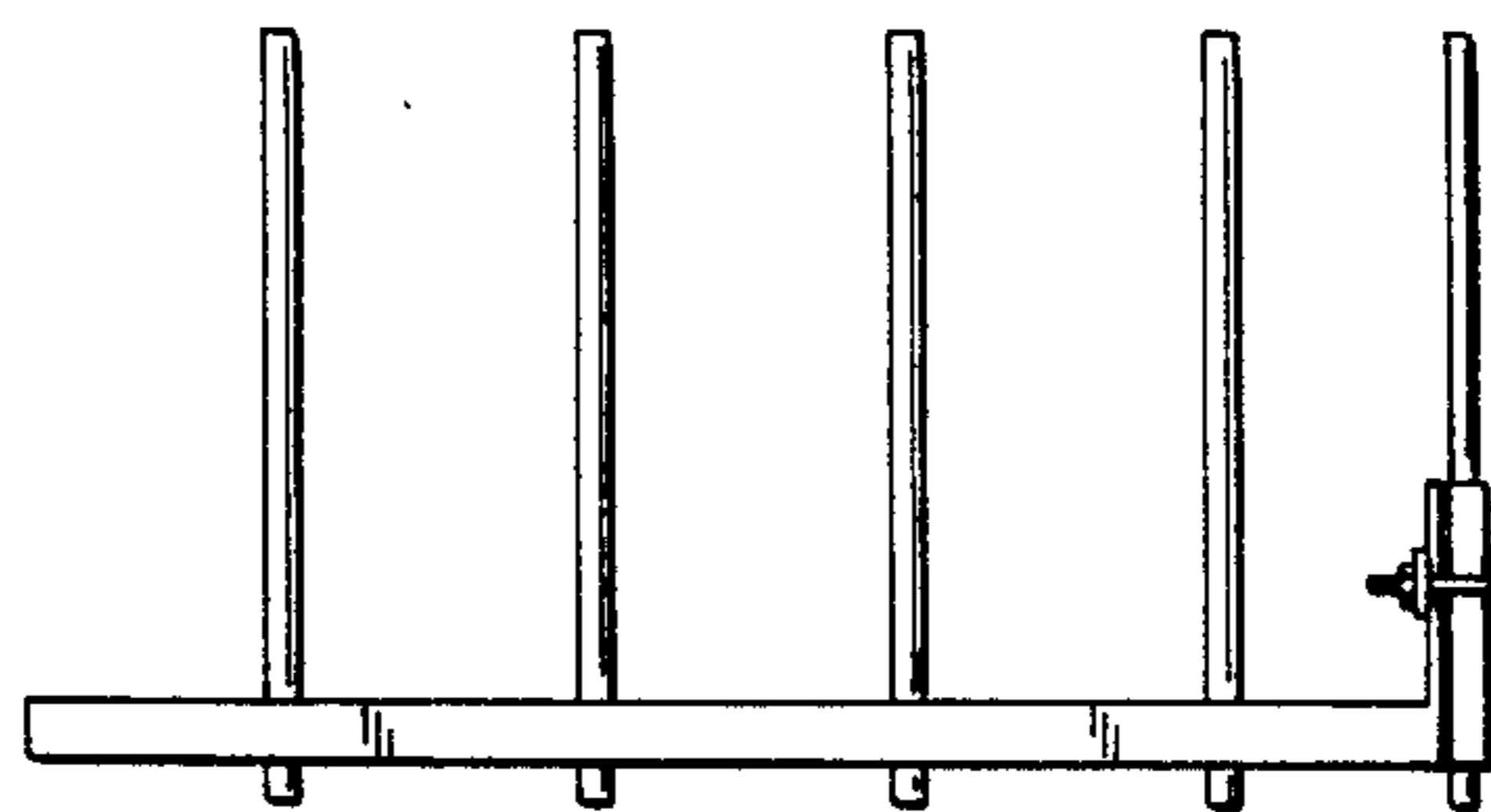


Fig. 4.

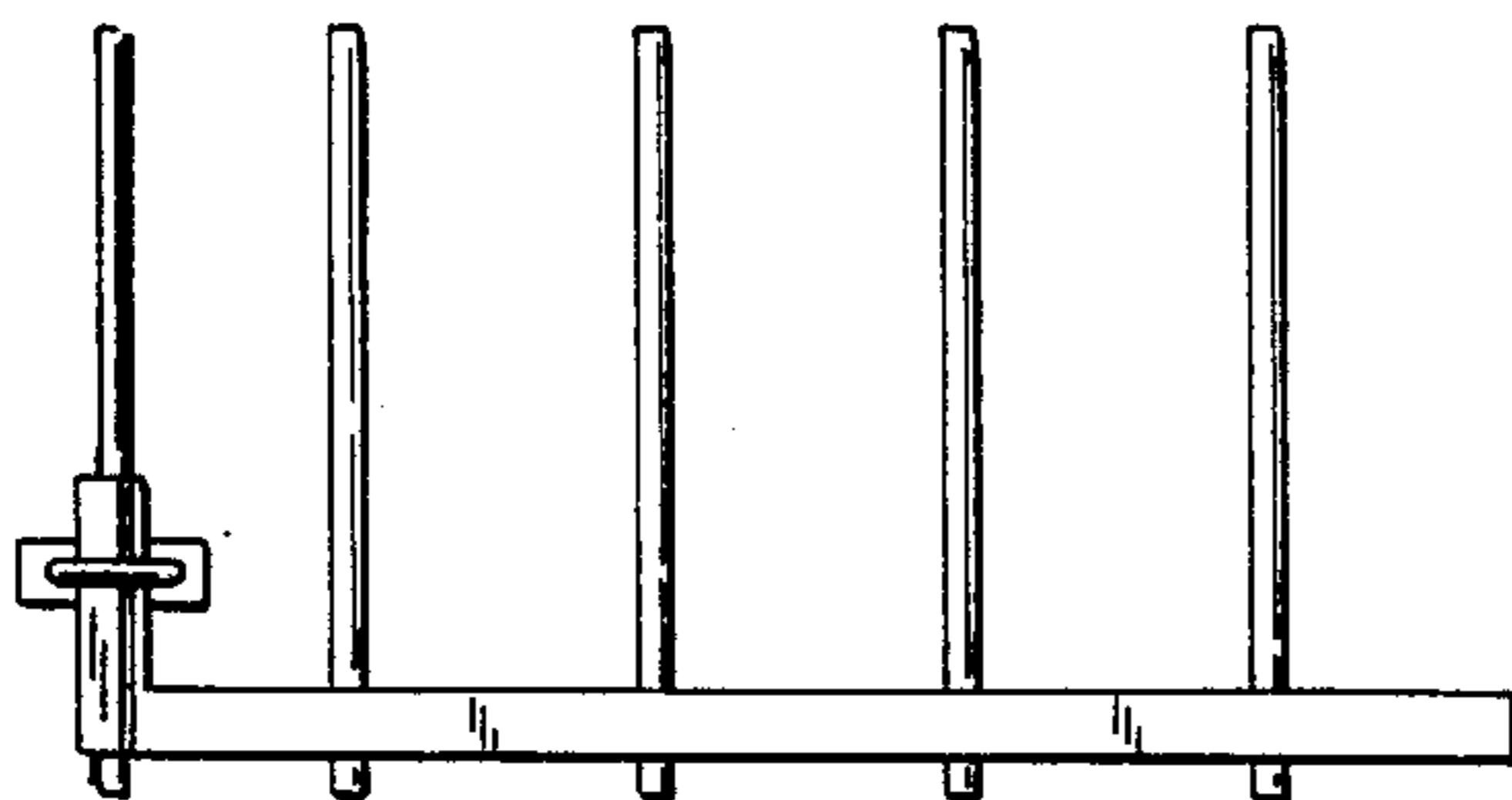


Fig. 6.

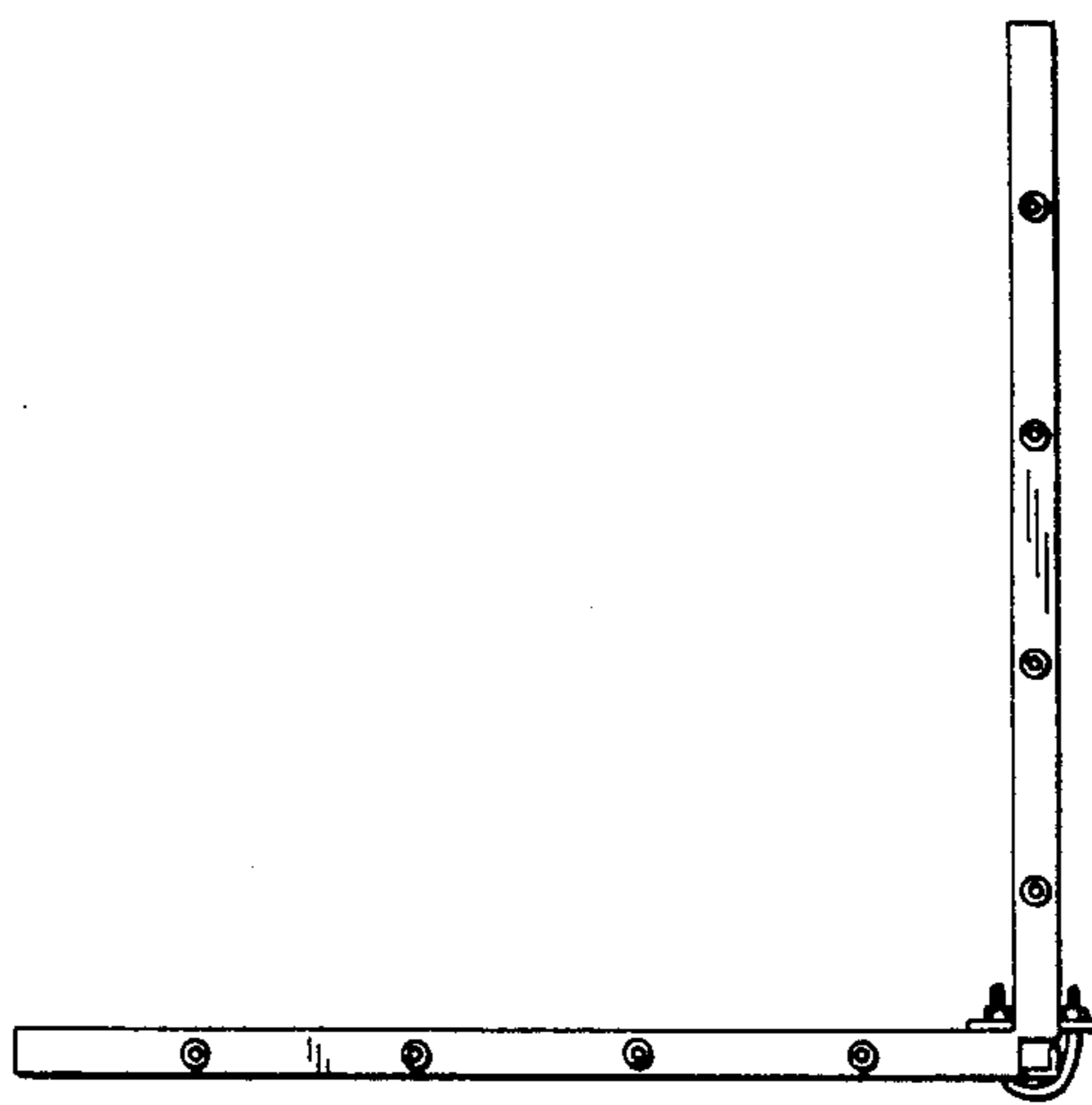


Fig. 7.