

[54] **SIMULATIVE SPORTS SHOE**

[75] **Inventor:** William J. Cohen, Braintree, Mass.

[73] **Assignee:** CITC Industries Inc., New York, N.Y.

[**] **Term:** 14 Years

[21] **Appl. No.:** 925,622

[22] **Filed:** Jul. 17, 1978

[51] **Int. Cl.** D2-04

[52] **U.S. Cl.** D2/279; D2/309

[58] **Field of Search** D2/276, 278, 279, 282, D2/308, 335, 309-311; 36/113, 114, 115, 117, 83, 112

D. 165,014 10/1951 Leslie D2/279

D. 211,556 7/1968 Sherman D2/279

D. 217,532 5/1970 Sherman D2/279

D. 217,533 5/1970 Sherman D2/279

D. 218,004 7/1970 Sherman D2/279

D. 240,973 8/1976 Tesky D2/279

D. 240,974 8/1976 Tesky D2/279

Primary Examiner—Nelson C. Holtje
Attorney, Agent, or Firm—David J. Mugford

[57] CLAIM

The ornamental design for a simulative sports shoe, as shown.

DESCRIPTION

FIG. 1 is a top plan view of a simulative sports shoe showing my new design.

FIG. 2 is a left side elevational view thereof.

FIG. 3 is a front elevational view thereof.

FIG. 4 is a rear elevational view thereof.

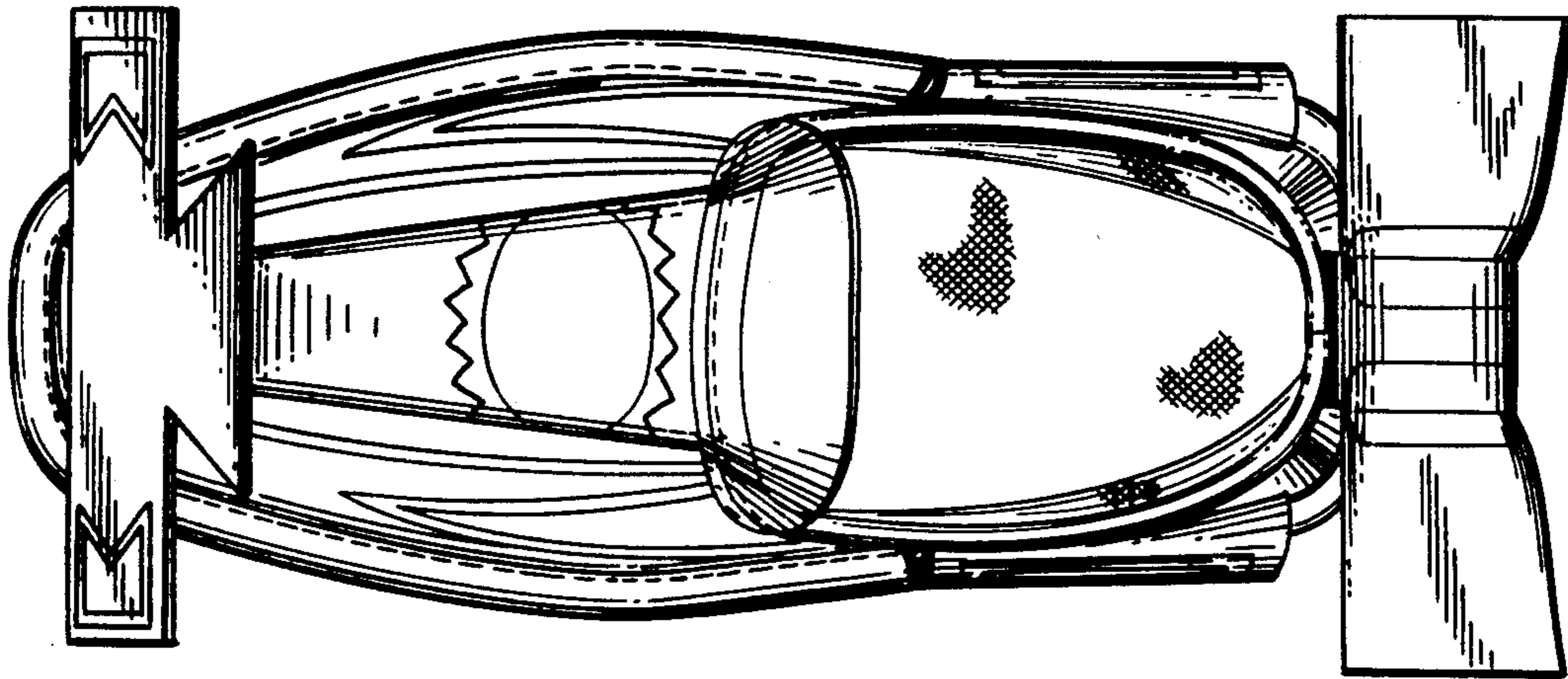
FIG. 5 is a bottom plan view thereof.

[56] **References Cited**

U.S. PATENT DOCUMENTS

D. 158,520 5/1950 Scoville D2/279

D. 165,013 10/1951 Leslie D2/279



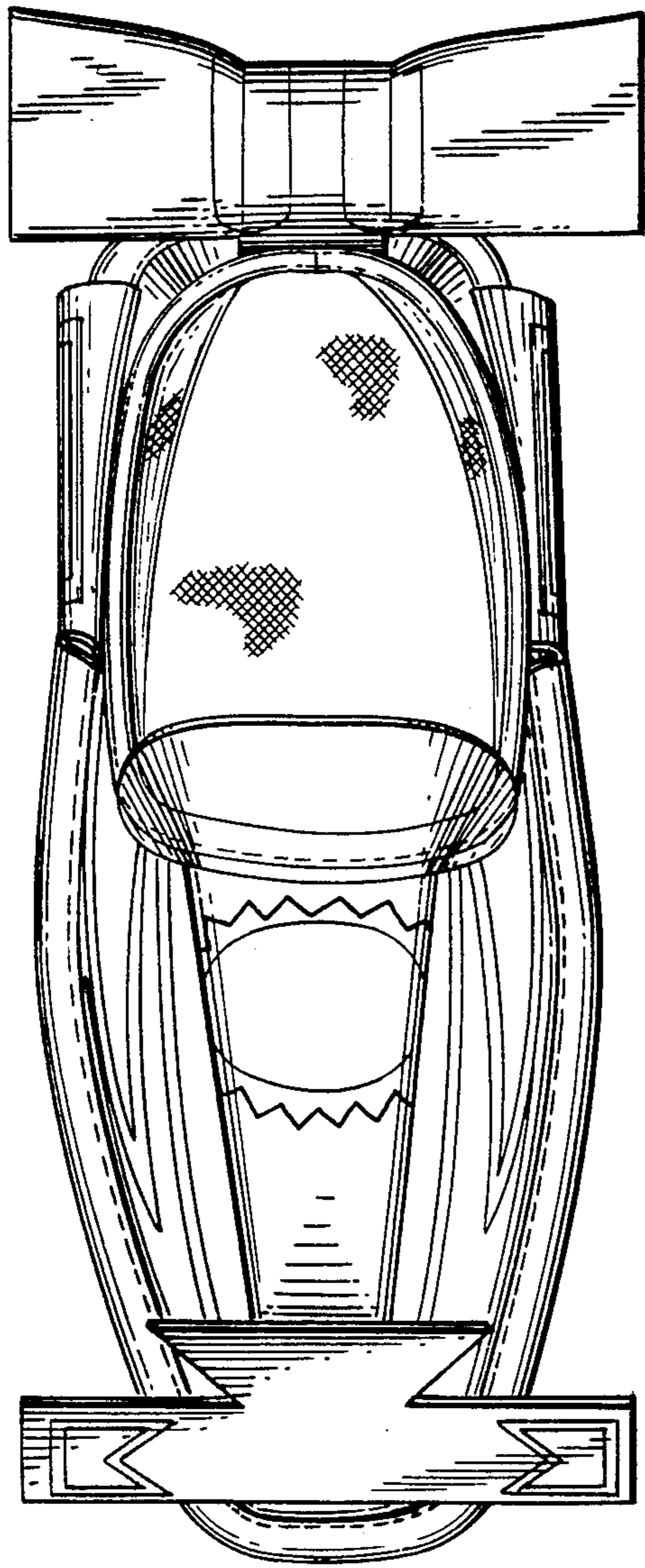


FIG. 1

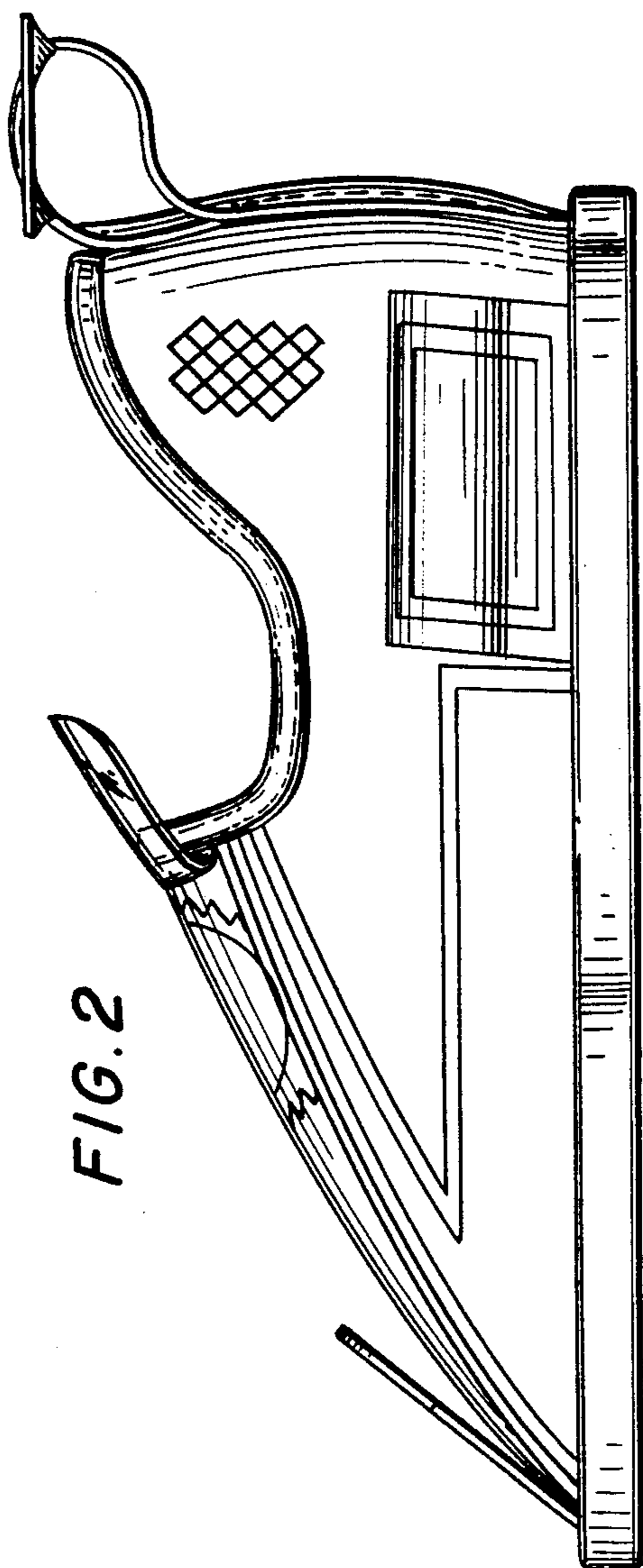


FIG. 2

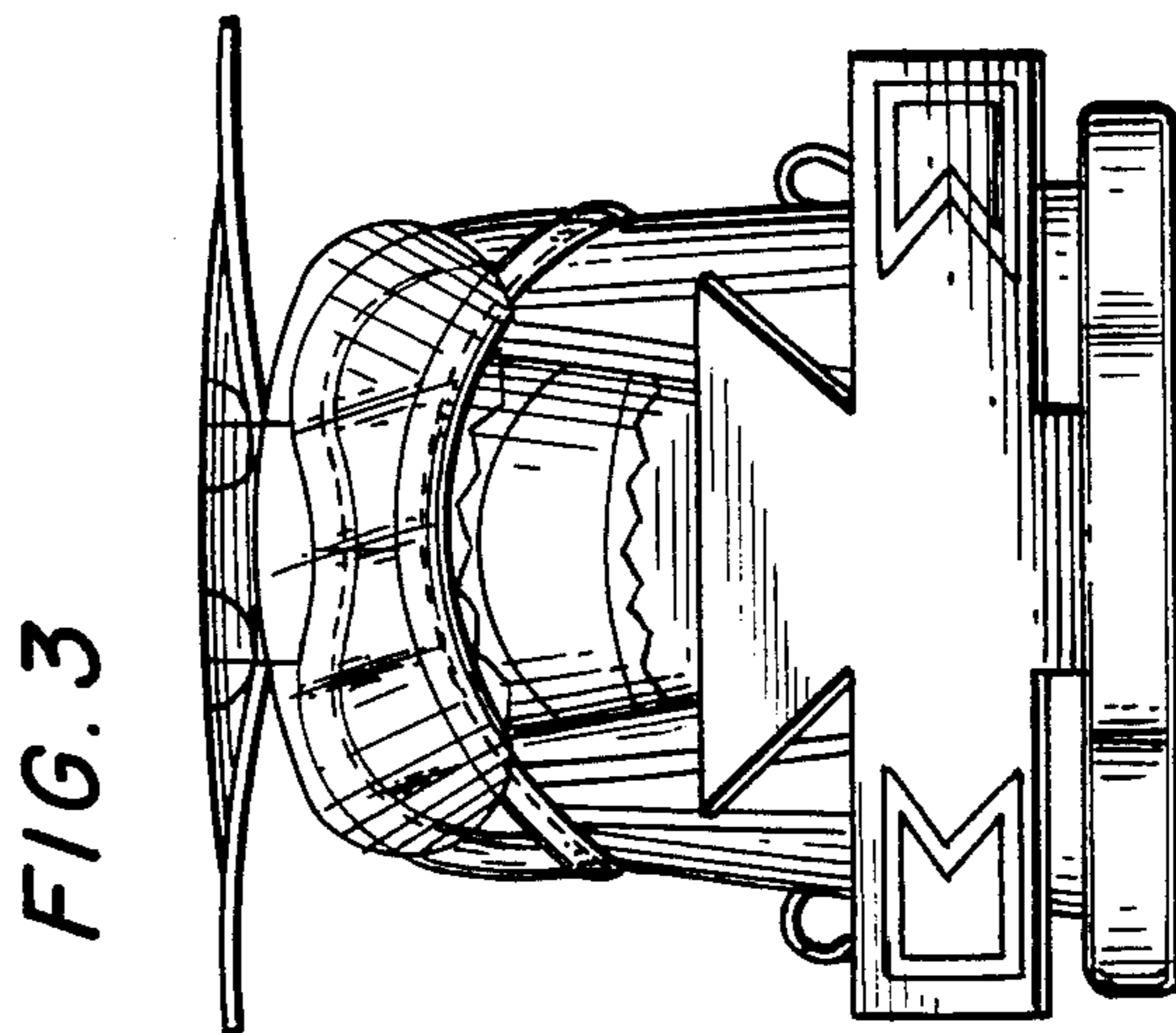


FIG. 3

