

[54] PIPE COVER

[76] Inventor: Charles L'Heureux, 650 Murray La.,
Des Plaines, Ill. 60016

[**] Term: 14 Years

[21] Appl. No.: 936,918

[22] Filed: Aug. 25, 1978

[51] Int. Cl. D27-99

[52] U.S. Cl. D27/05

[58] Field of Search D27/5; 131/170 R, 171 R,
131/174, 176

[56] References Cited

U.S. PATENT DOCUMENTS

D. 204,116 3/1966 Raffles D27/5

FOREIGN PATENT DOCUMENTS

6206 of 1893 United Kingdom 131/176
26042 of 1903 United Kingdom 131/176
234908 6/1925 United Kingdom 131/176

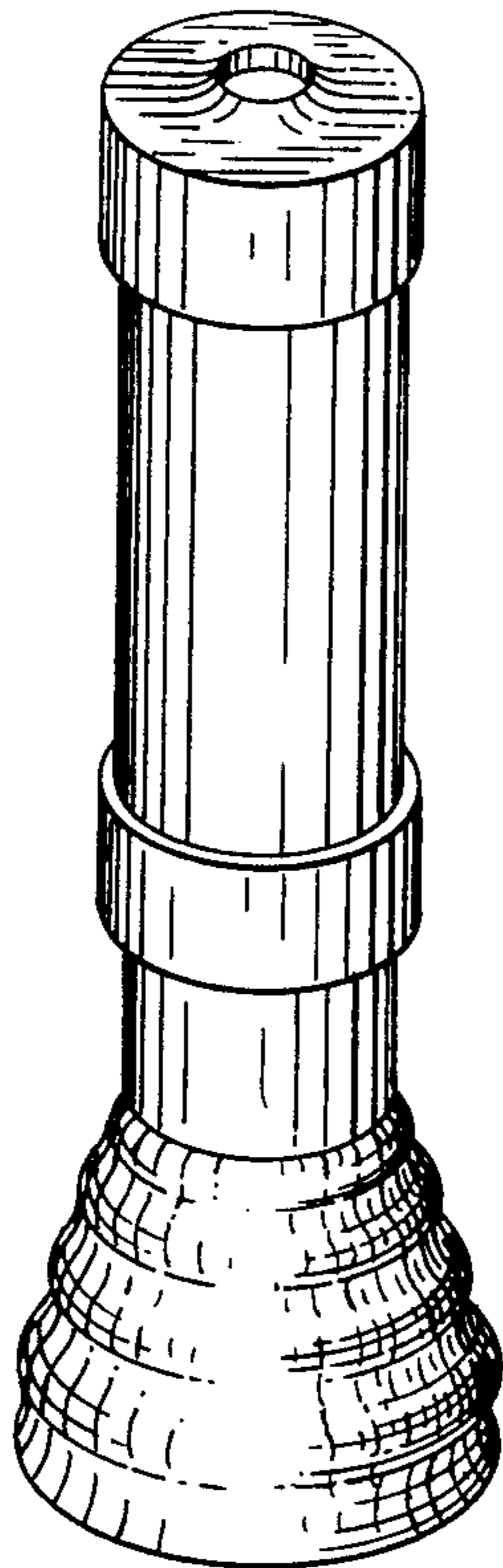
Primary Examiner—Catherine E. Kemper
Attorney, Agent, or Firm—Marvin N. Benn

[57] CLAIM

The ornamental design for a pipe cover, as shown.

DESCRIPTION

FIG. 1 is a perspective view of a pipe cover, showing
my new design;
FIG. 2 is a front elevational view thereof;
FIG. 3 is a top plan view thereof;
FIG. 4 is a bottom plan view thereof.



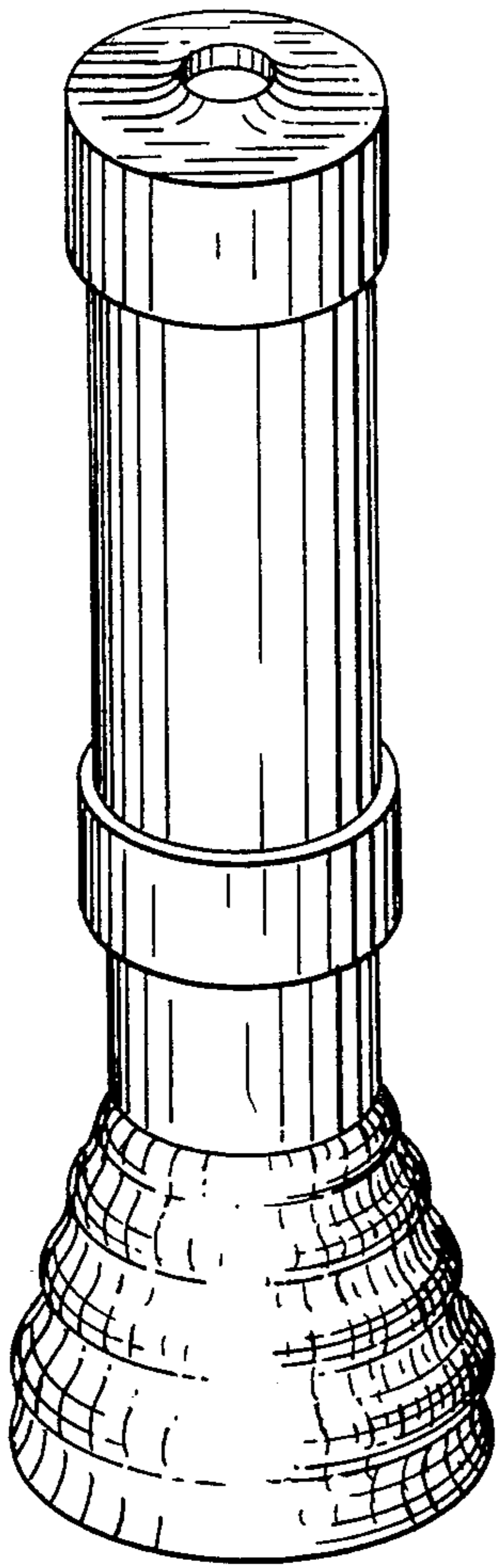


FIG. 1

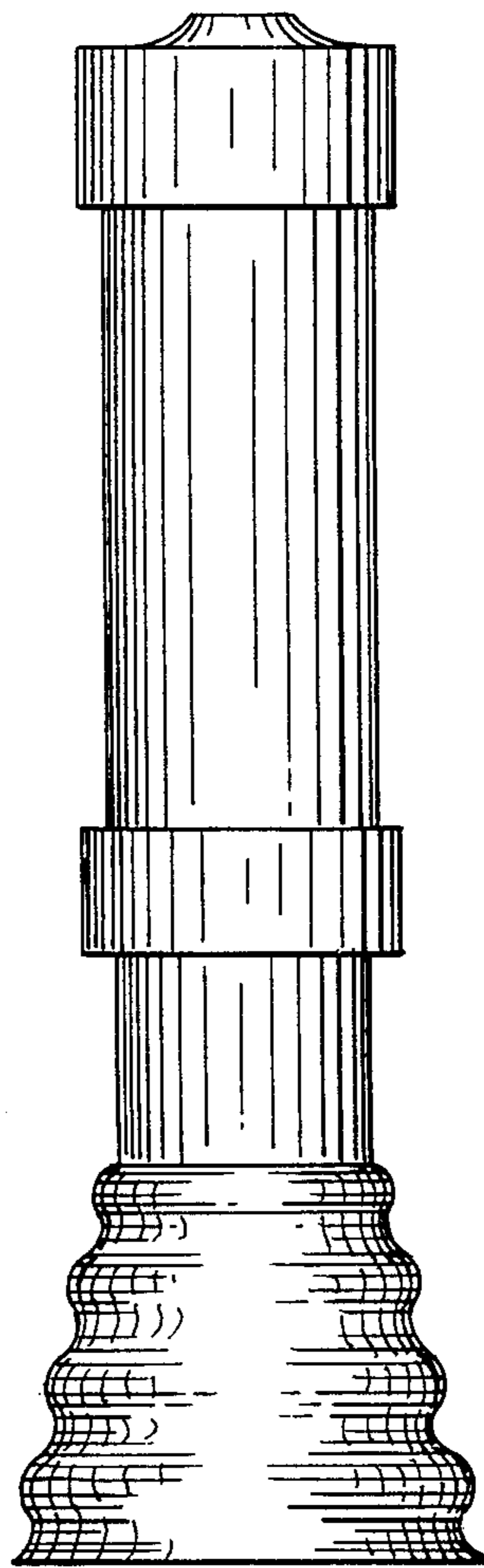


FIG. 2

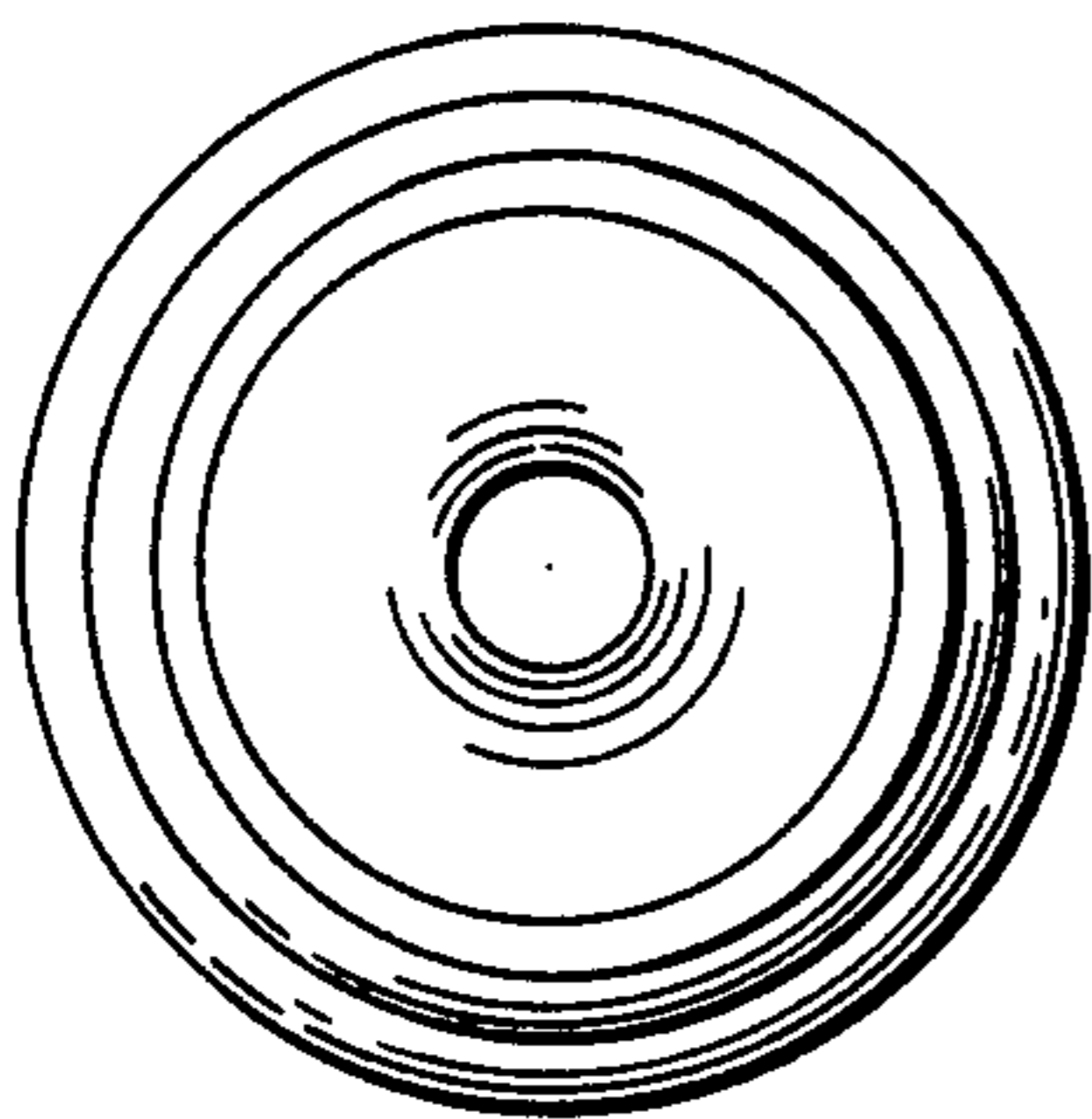


FIG. 3

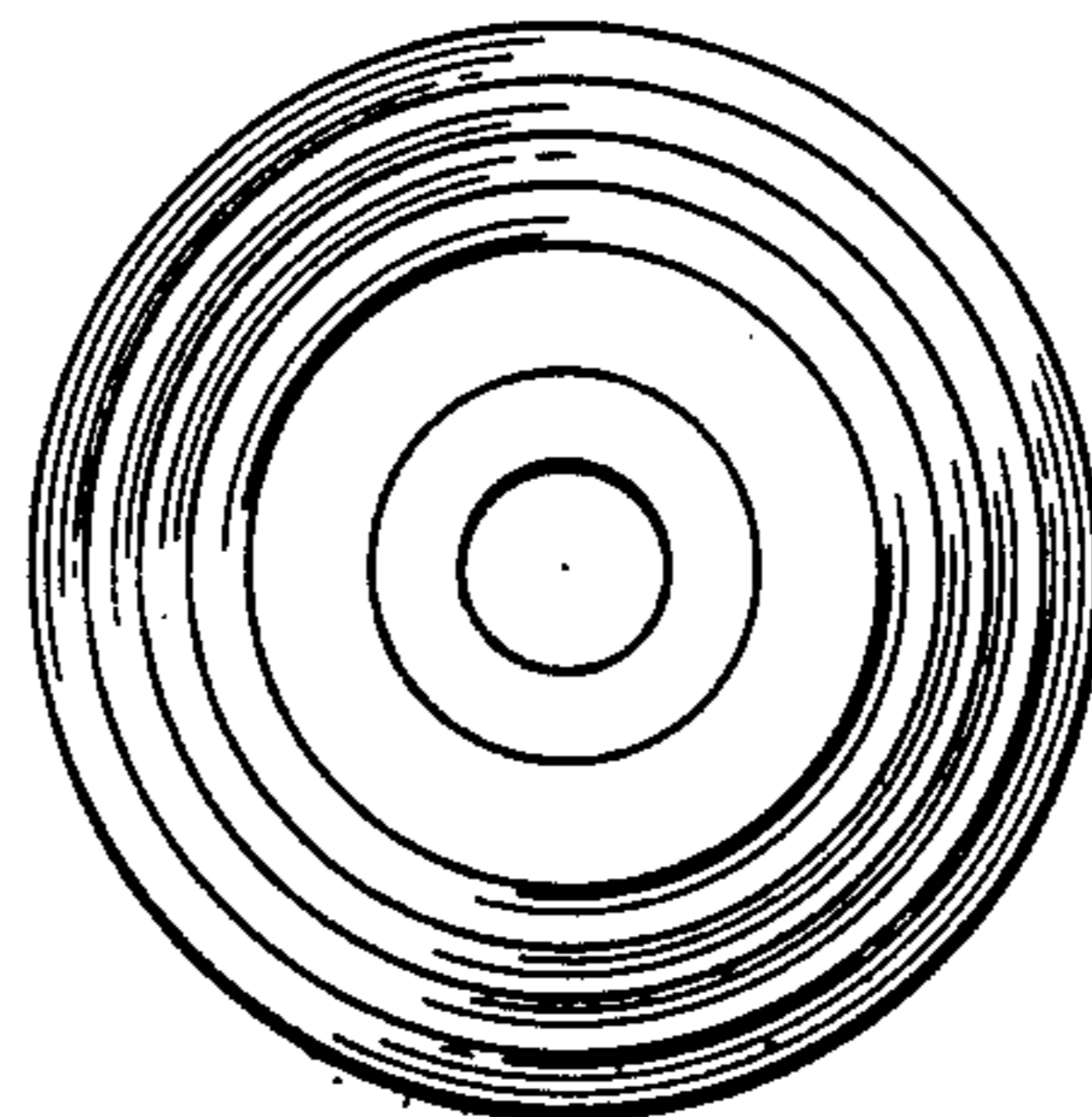


FIG. 4