

[54] COMBINED AUXILIARY HEADLIGHT AND COVER THEREFOR

[75] Inventor: Yukiharu Ozeki, Yokohama, Japan

[73] Assignee: Ushio Denki Kabushiki Kaisha, Japan

[**] Term: 14 Years

[21] Appl. No.: 945,461

[22] Filed: Sep. 25, 1978

[30] Foreign Application Priority Data

Aug. 18, 1978 [JP] Japan 53-34726

[51] Int. Cl. D26-06

[52] U.S. Cl. D26/28

[58] Field of Search D26/28, 29, 31, 34, D26/35, 36; 362/61, 64, 235, 257, 268, 269, 362, 374, 375

[56] References Cited

U.S. PATENT DOCUMENTS

- D. 159,566 8/1950 Wegener D10/114
- D. 237,648 11/1975 Cibie D26/28
- 2,524,442 10/1950 Healey 362/362

Primary Examiner—Susan J. Lucas
Attorney, Agent, or Firm—Roger B. McCormick

[57] CLAIM

The ornamental design for combined auxiliary headlight and cover therefor, substantially as shown and described.

DESCRIPTION

FIG. 1 is a front elevational view of combined auxiliary headlight and cover therefor showing my new design; FIG. 2 is a plan view thereof; FIG. 3 is a right side view thereof; FIG. 4 is a rear elevational view thereof; FIG. 5 is a bottom view thereof; FIG. 6 is a right side view thereof showing the cover in closed position; and FIG. 7 is a perspective view thereof.

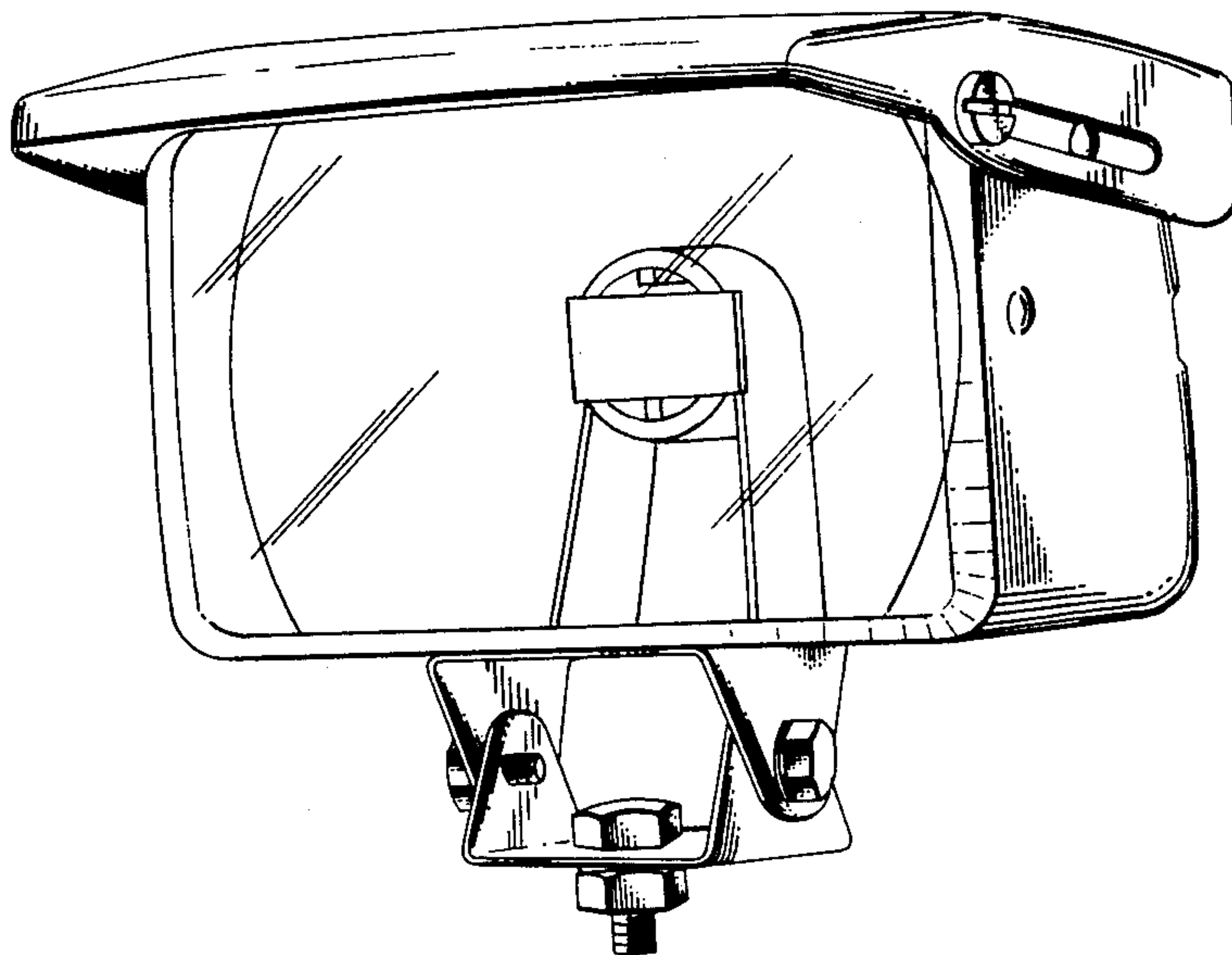


FIG. 1

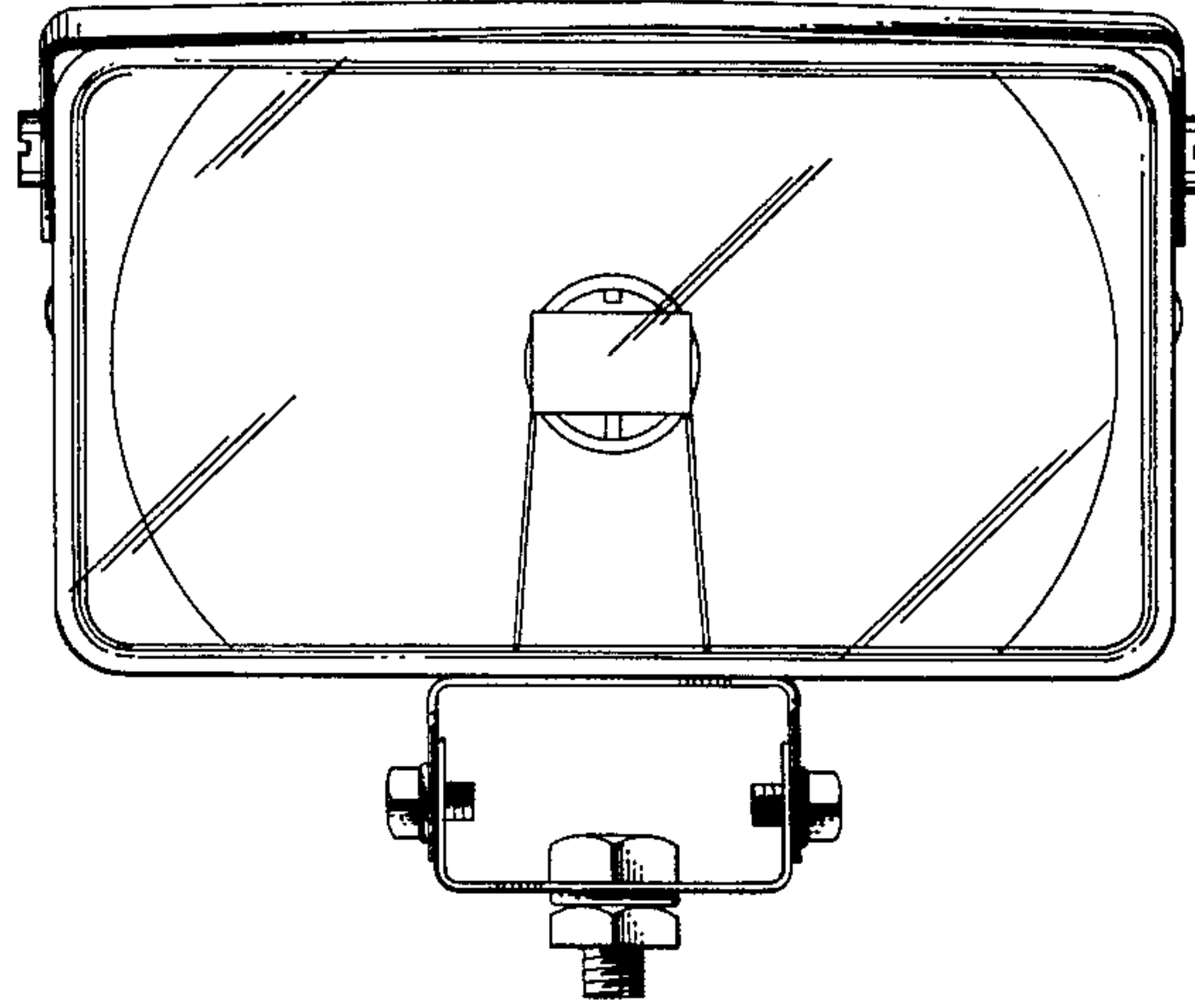


FIG. 2

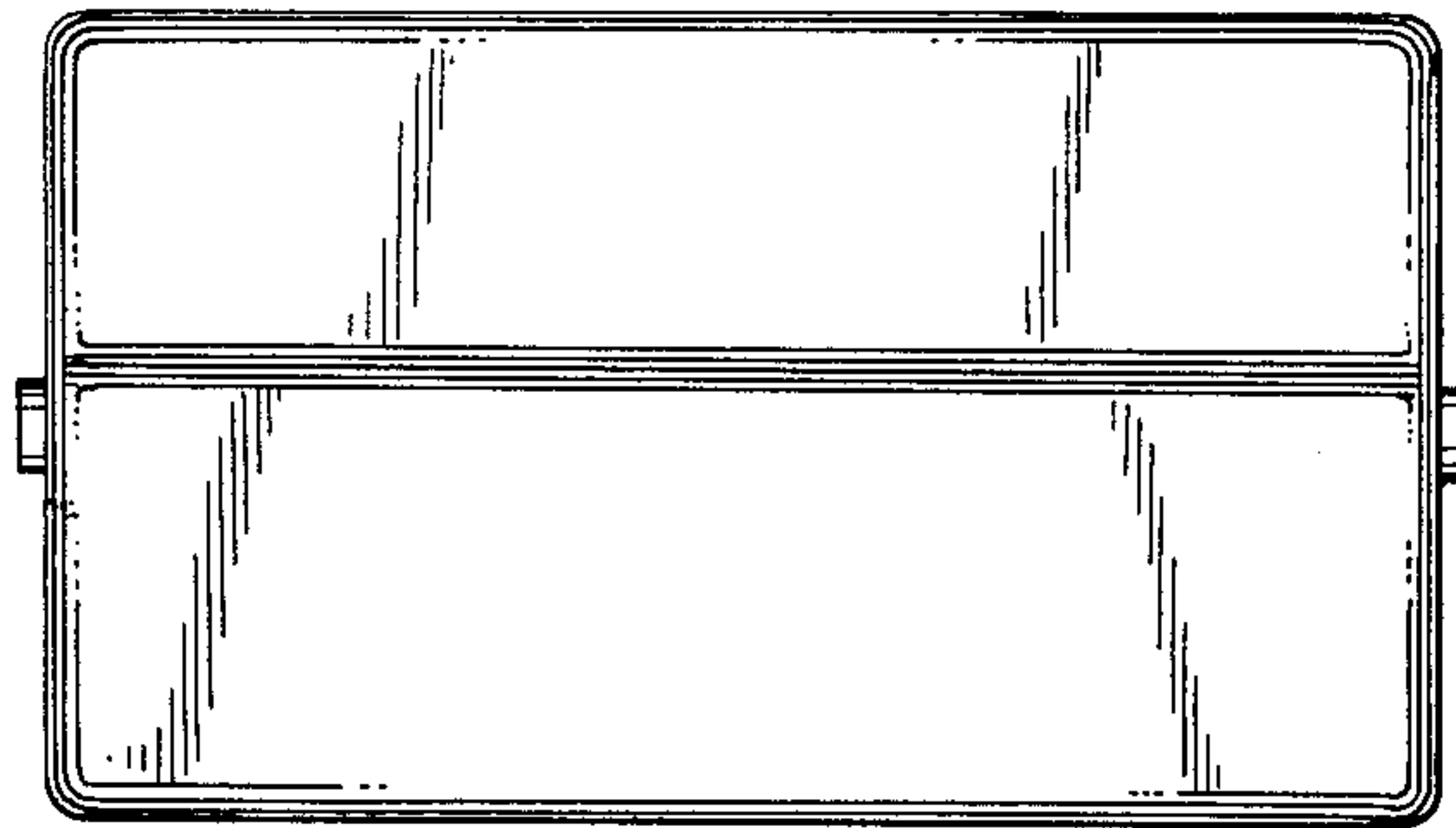


FIG. 3

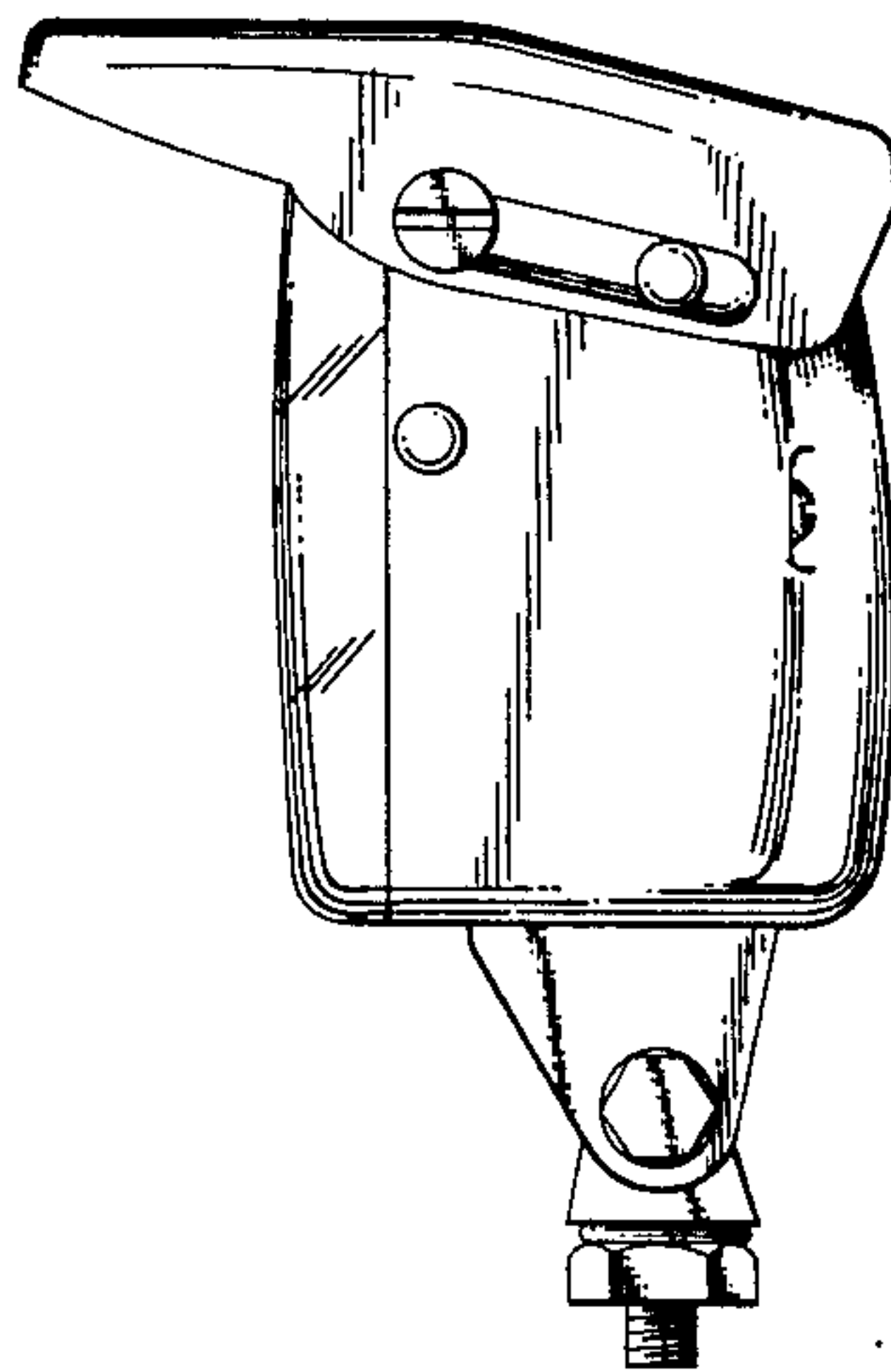


FIG. 4

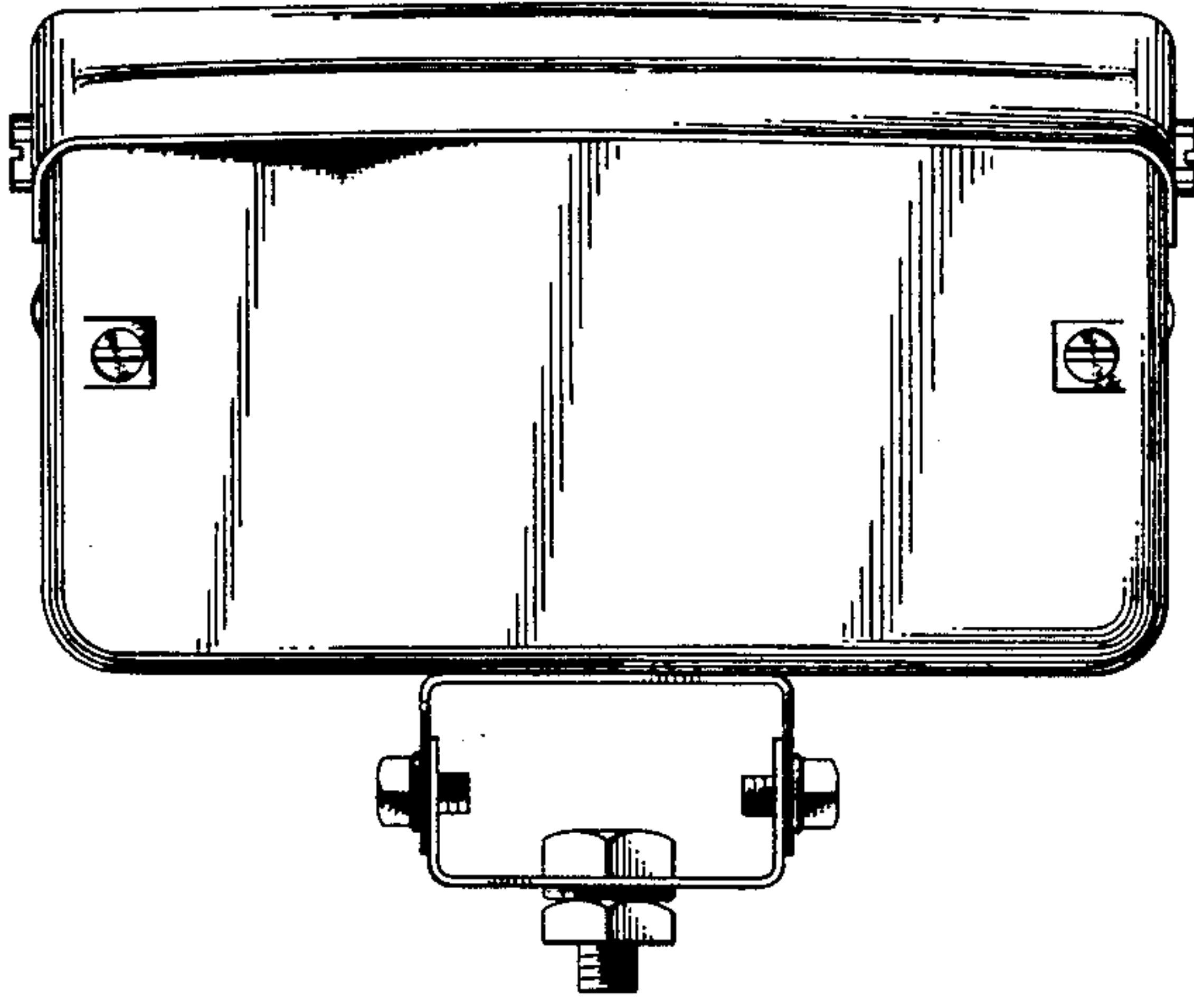


FIG. 5

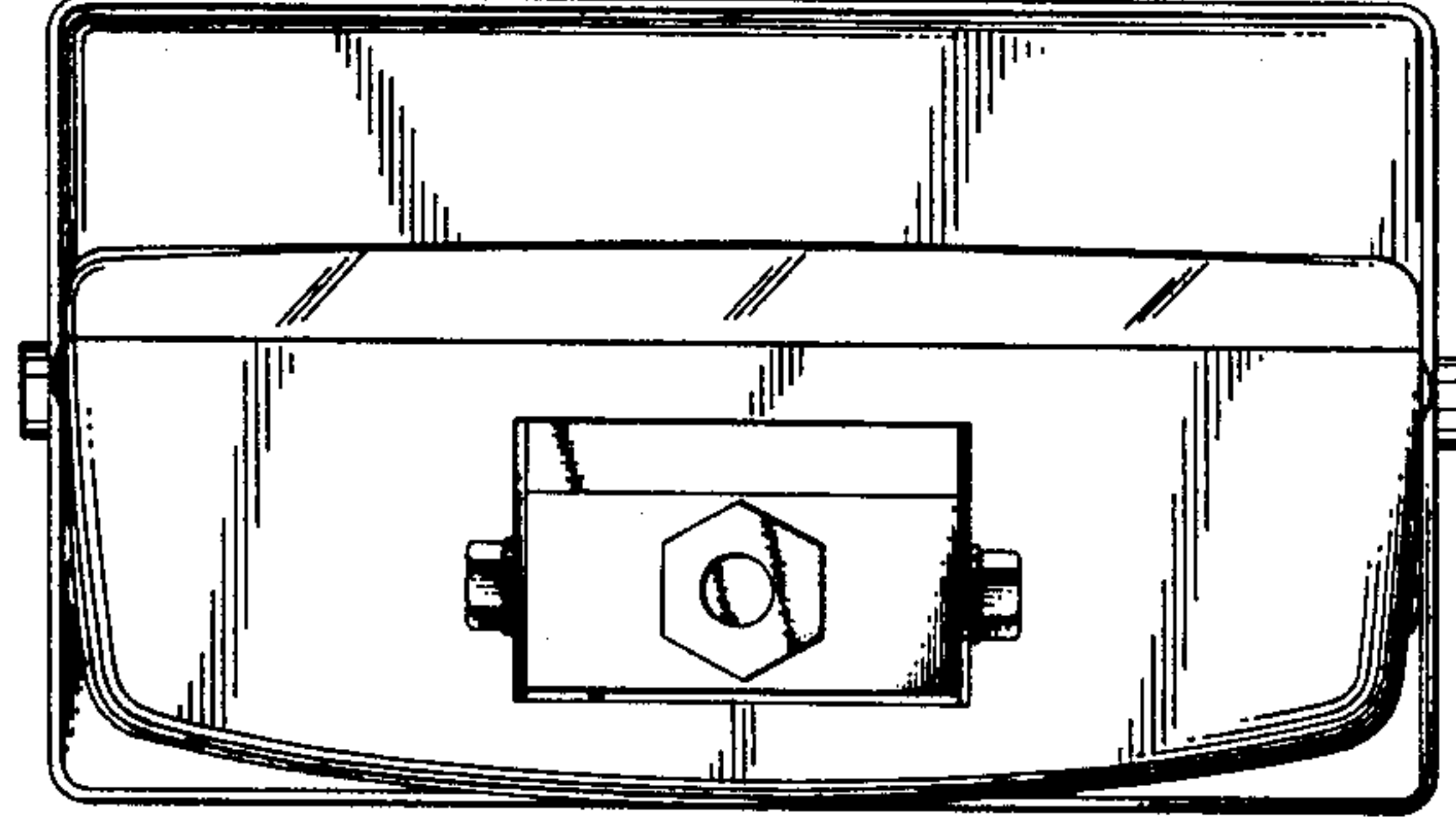


FIG. 6

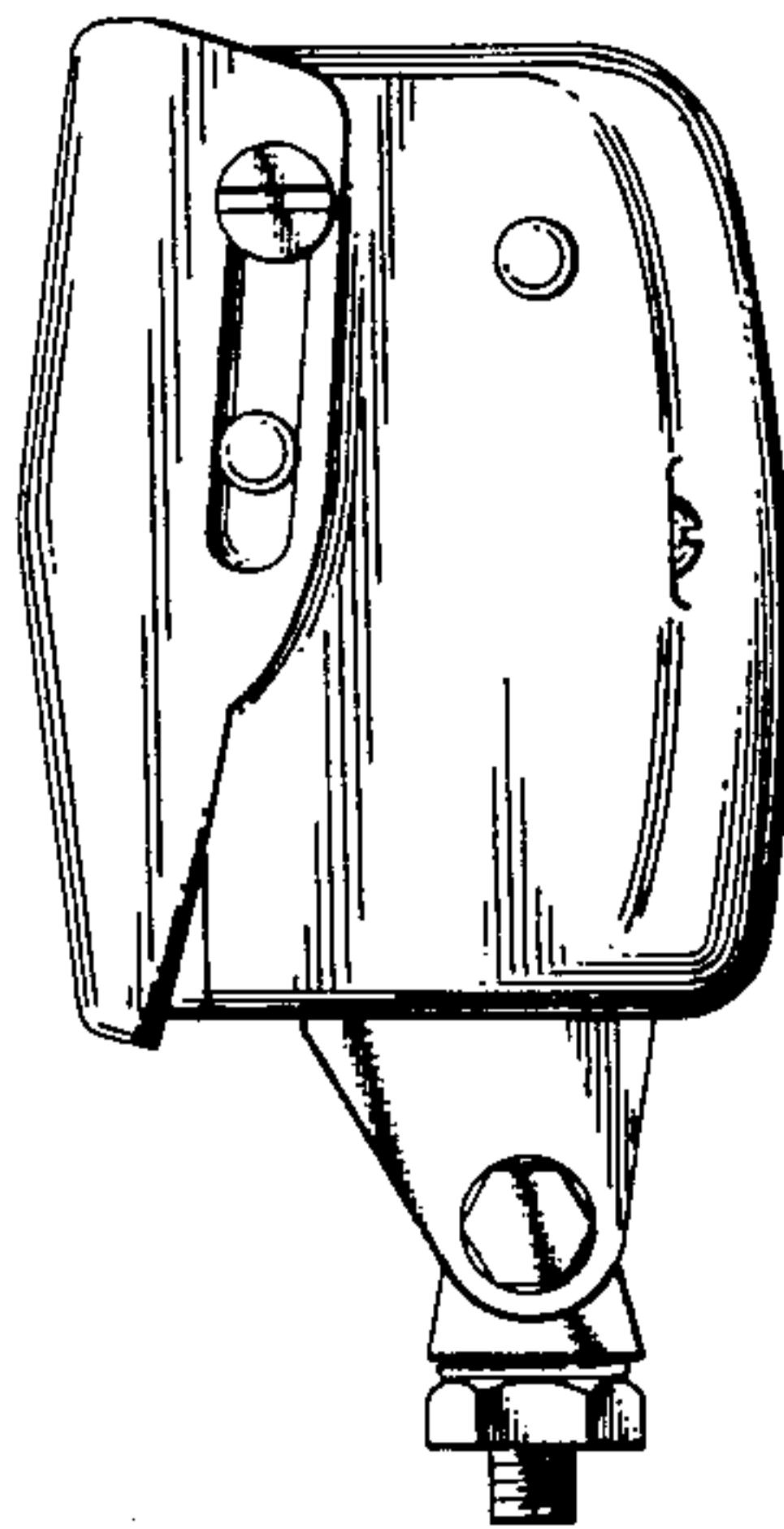


FIG. 7

