

[54] VAPORIZER

[75] Inventor: Ernst Reichl, Munich, Fed. Rep. of Germany

[73] Assignee: Bosch-Siemens Hausgeräte GmbH, Stuttgart, Fed. Rep. of Germany

[**] Term: 14 Years

[21] Appl. No.: 868,472

[22] Filed: Jan. 10, 1978

[30] Foreign Application Priority Data

Jul. 13, 1977 [DE] Fed. Rep. of Germany 4692

[51] Int. Cl. D23-04

[52] U.S. Cl. D23/148; D24/62

[58] Field of Search D23/146-150; D24/62; 128/200.14, 200.16, 200.17, 200.21

[56] References Cited

U.S. PATENT DOCUMENTS

- D. 130,838 12/1941 Guild D23/146
- D. 152,866 3/1949 Chapman D23/148
- D. 167,044 6/1952 Huck D23/148

- D. 192,589 4/1962 Katzman D23/148
- D. 199,474 10/1964 Storch D23/148
- D. 214,605 7/1969 Best, Jr. D24/62
- D. 238,785 2/1976 Alger et al. D23/146
- D. 253,129 10/1979 Marloth D24/62
- D. 254,750 4/1980 Myklebust et al. D23/146
- 3,212,101 10/1965 Perron 239/102
- 3,812,853 5/1974 Crain 128/200.17
- 4,119,096 10/1978 Drews 128/200.16

FOREIGN PATENT DOCUMENTS

- 2239950 8/1972 Fed. Rep. of Germany D24/62
- 2637162 8/1976 Fed. Rep. of Germany D24/62

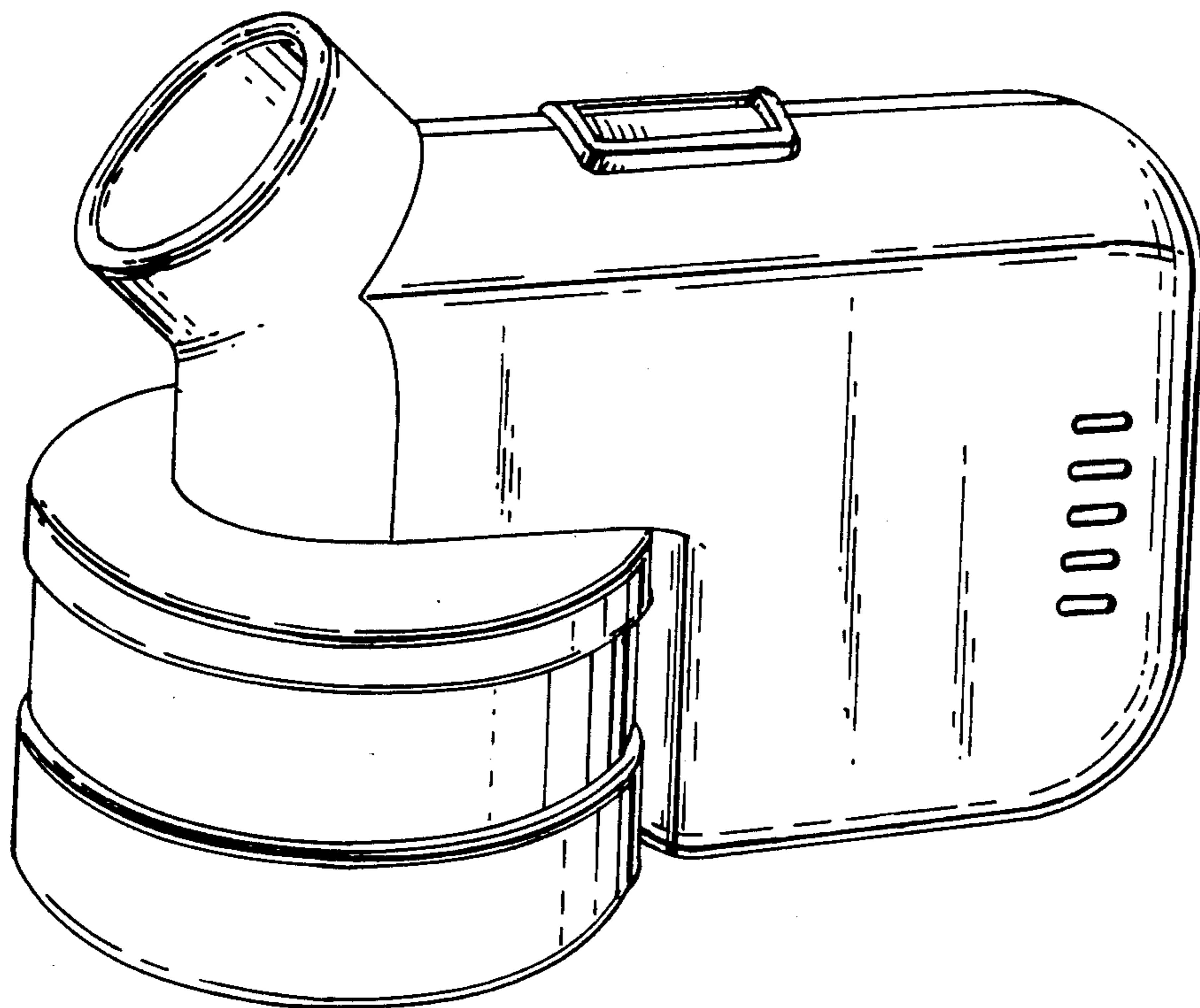
Primary Examiner—James R. Largen
 Attorney, Agent, or Firm—Herbert L. Lerner

[57] CLAIM

The ornamental design for a vaporizer, substantially as shown.

DESCRIPTION

FIG. 1 is a perspective view taken from the top, front and right side of a vaporizer showing my new design; FIG. 2 is a top plan view thereof; and FIG. 3 is a left side elevational view thereof.



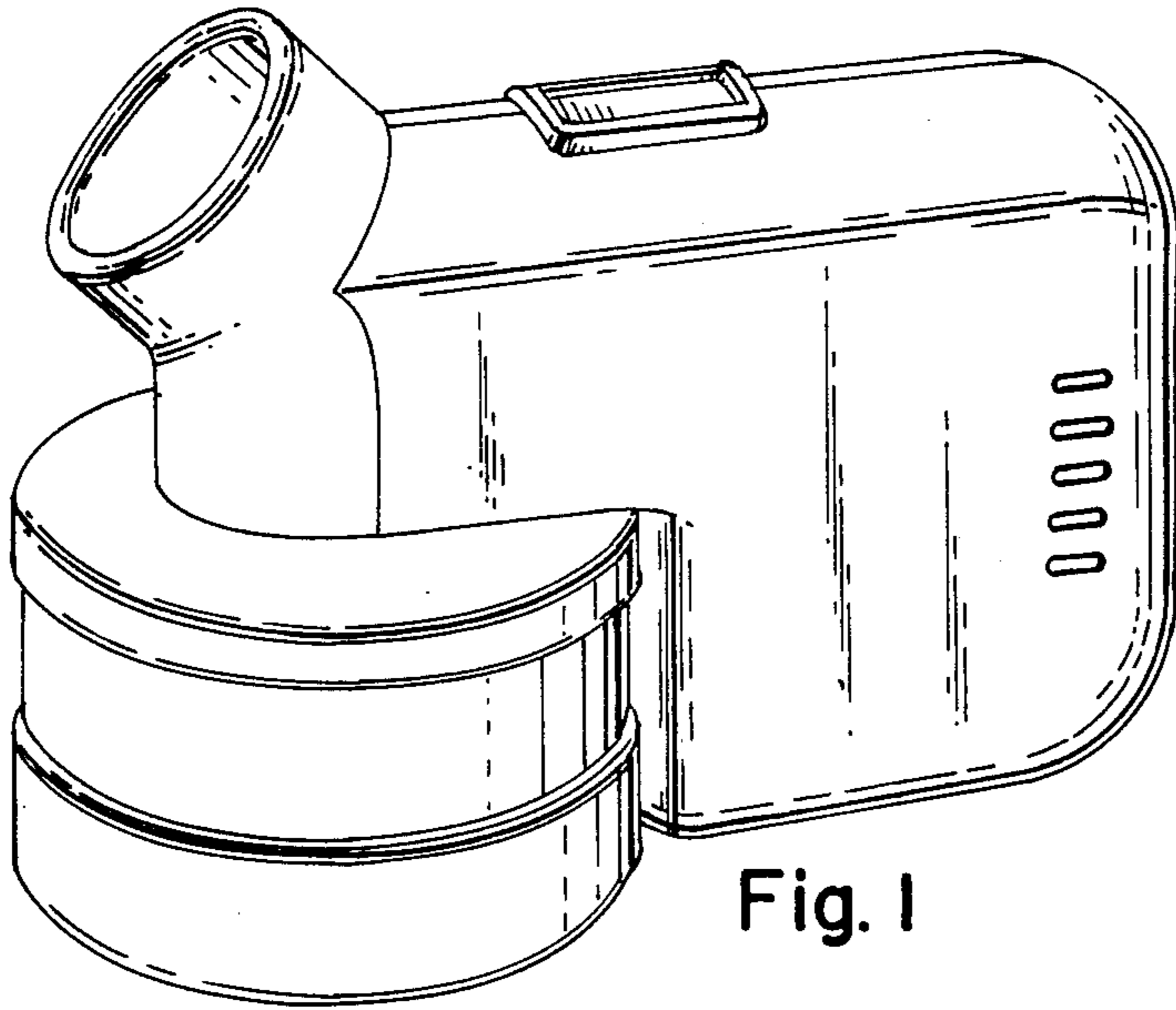


Fig. 1

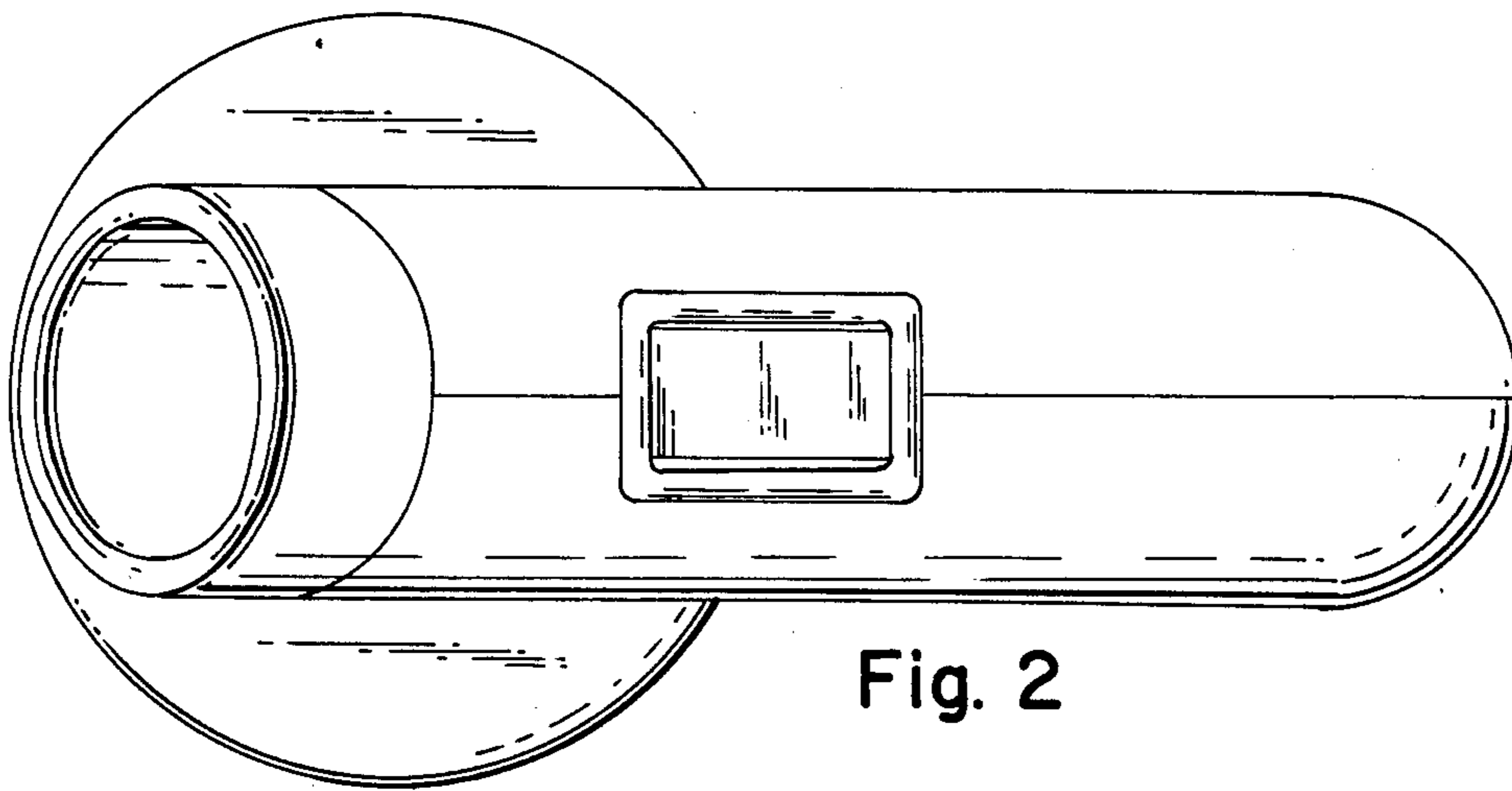


Fig. 2

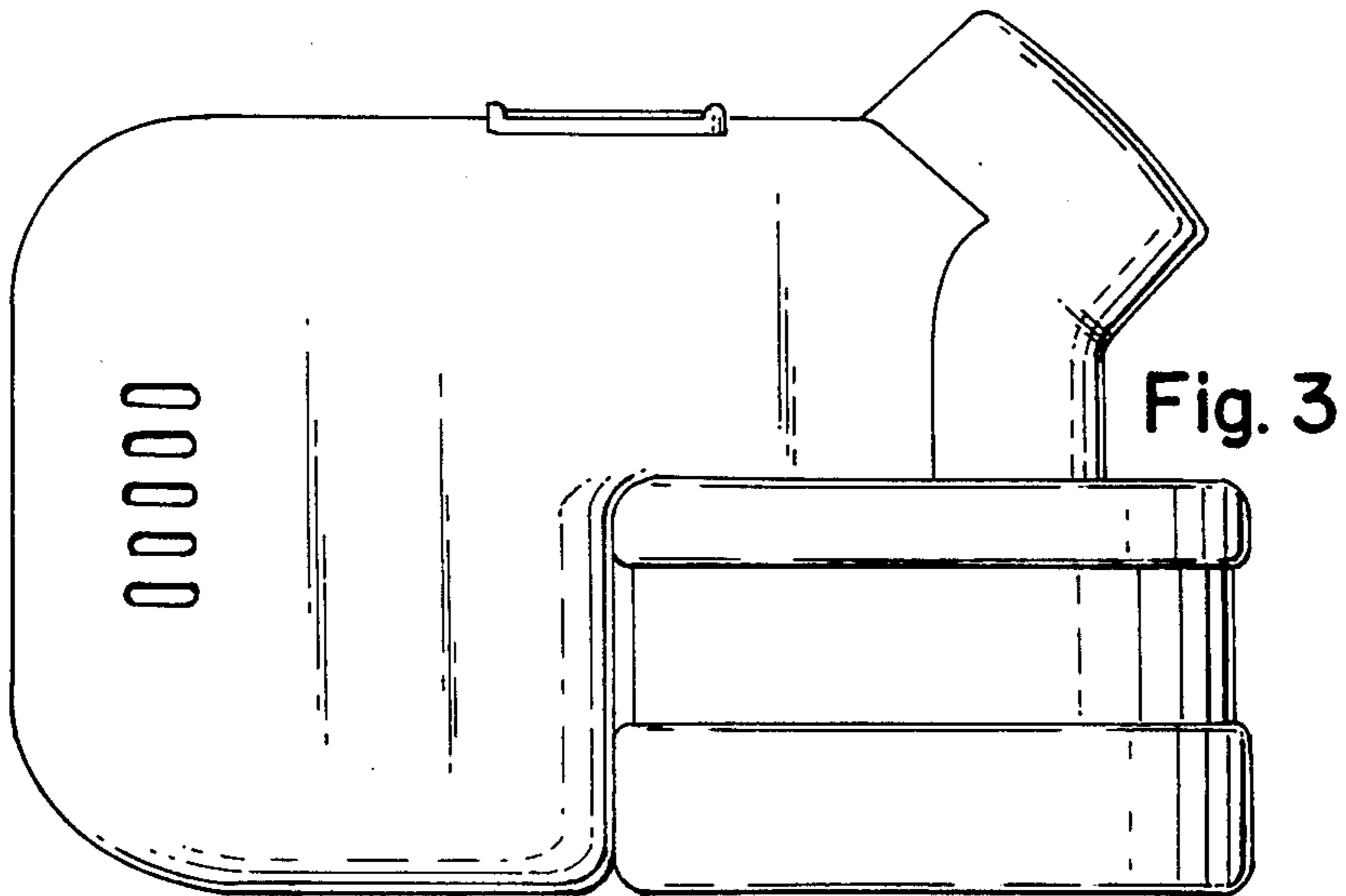


Fig. 3