

[54] URINAL

[75] Inventor: Gordon M. Wilson, Tring, England

[73] Assignee: W. & G. Sissons, Limited, Sheffield, England

[**] Term: 14 Years

[21] Appl. No.: 901,265

[22] Filed: Apr. 28, 1978

[30] Foreign Application Priority Data

Nov. 25, 1977 [GB] United Kingdom 982402/77

[51] Int. Cl. D23-02

[52] U.S. Cl. D23/68

[58] Field of Search D23/48-71; 4/301, 310, 311

[56] References Cited

U.S. PATENT DOCUMENTS

D. 185,767 7/1959 McCann D23/68

D. 202,413	9/1965	Tiller	D23/68
D. 233,889	12/1974	Juairo	D23/68
268,379	12/1882	Baldwin	4/311
654,601	7/1900	Bunting, Jr.	4/311
2,208,720	7/1940	Coordes	4/311

Primary Examiner—James R. Largen
Attorney, Agent, or Firm—John E. Lind

[57] CLAIM

The ornamental design for urinal, substantially as shown.

DESCRIPTION

FIG. 1 is a perspective view taken from the front, top and right side of a urinal showing my new design; FIG. 2 is a left side elevational view thereof; FIG. 3 is a top plan view thereof; FIG. 4 is a cross-sectional view taken on line 4—4 of FIG. 3; FIG. 5 is a cross-sectional view taken on line 5—5 of FIG. 3; and FIG. 6 is a cross-sectional view taken on line 6—6 of FIG. 3.

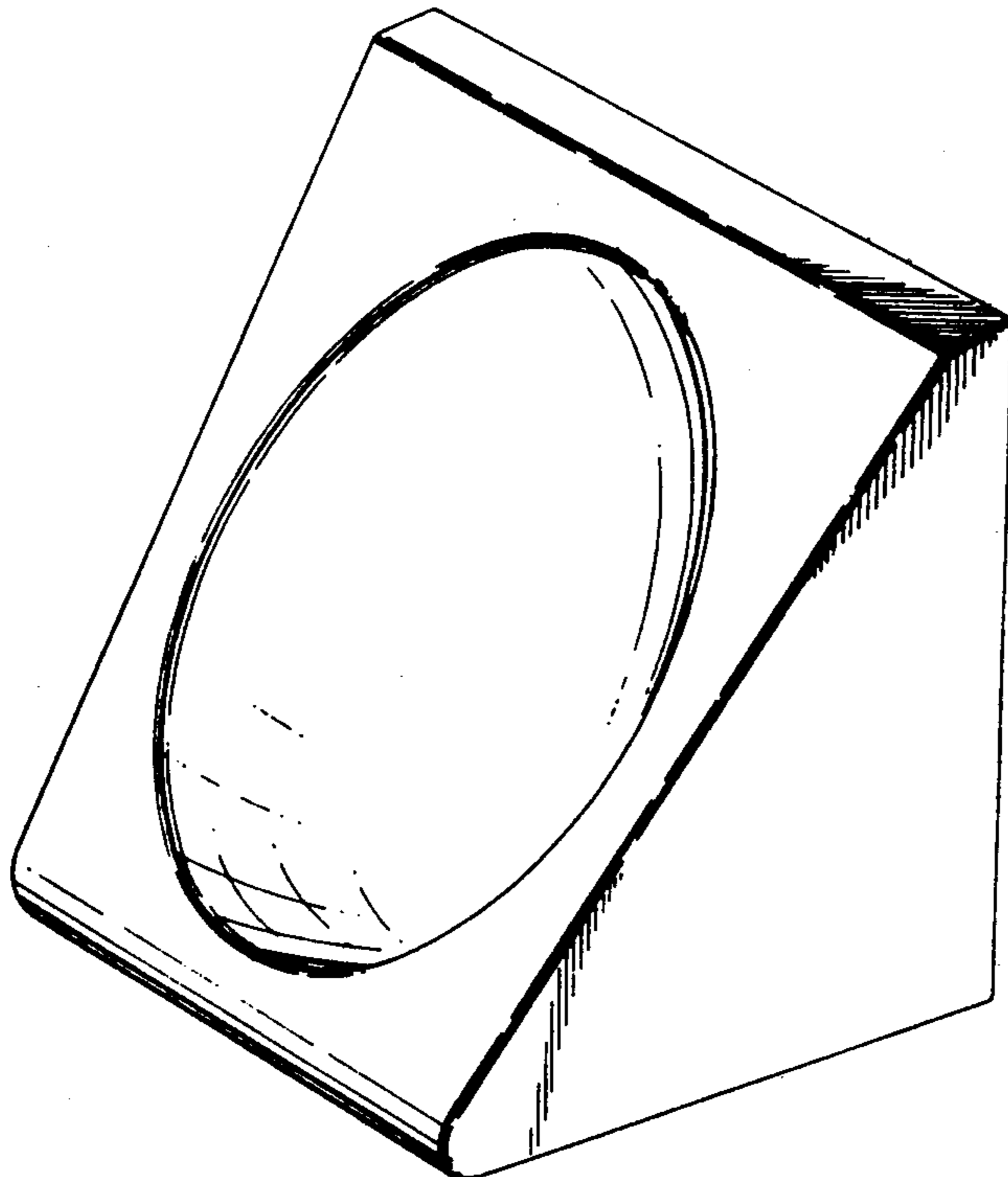


FIG. 1

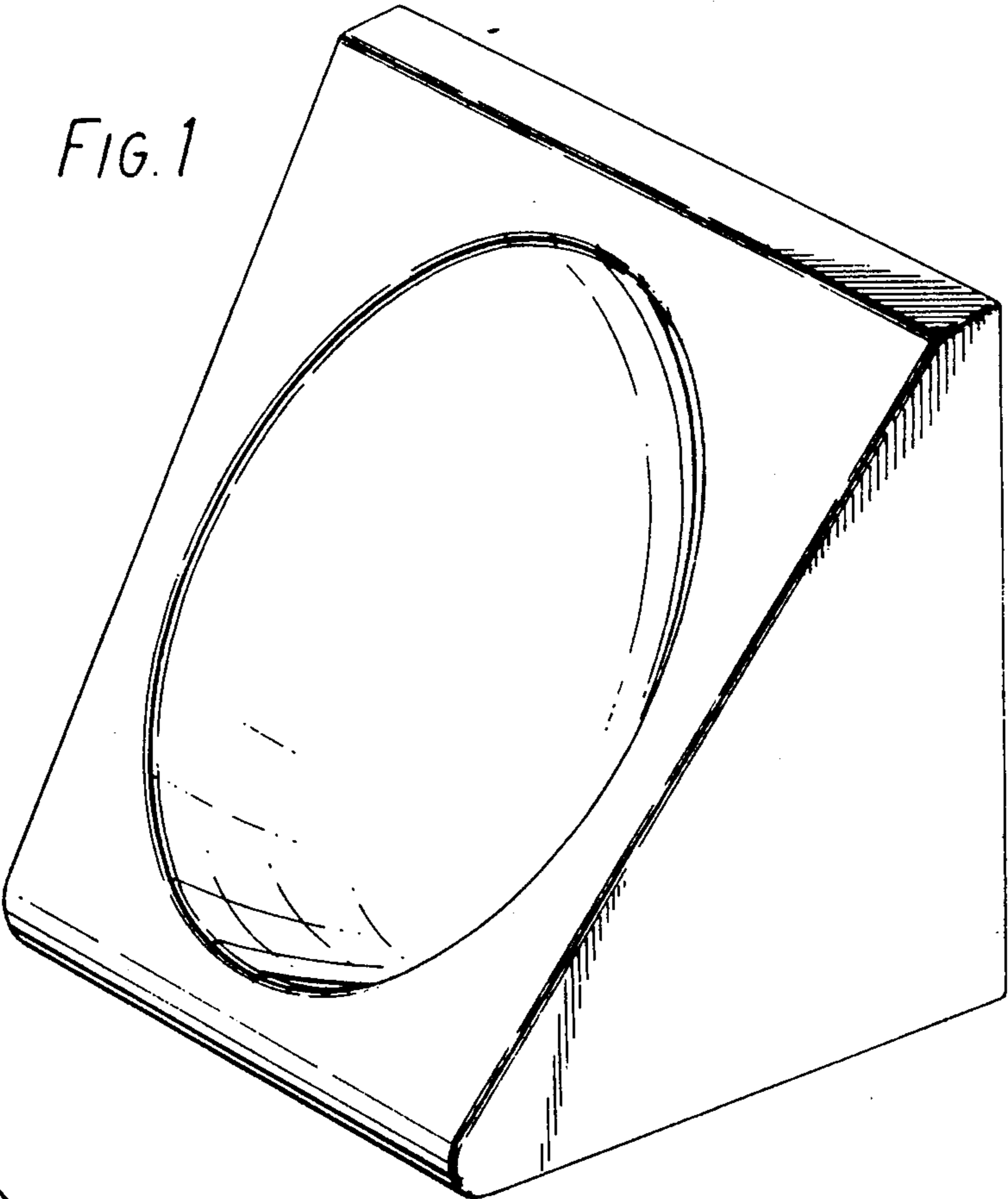


FIG. 2

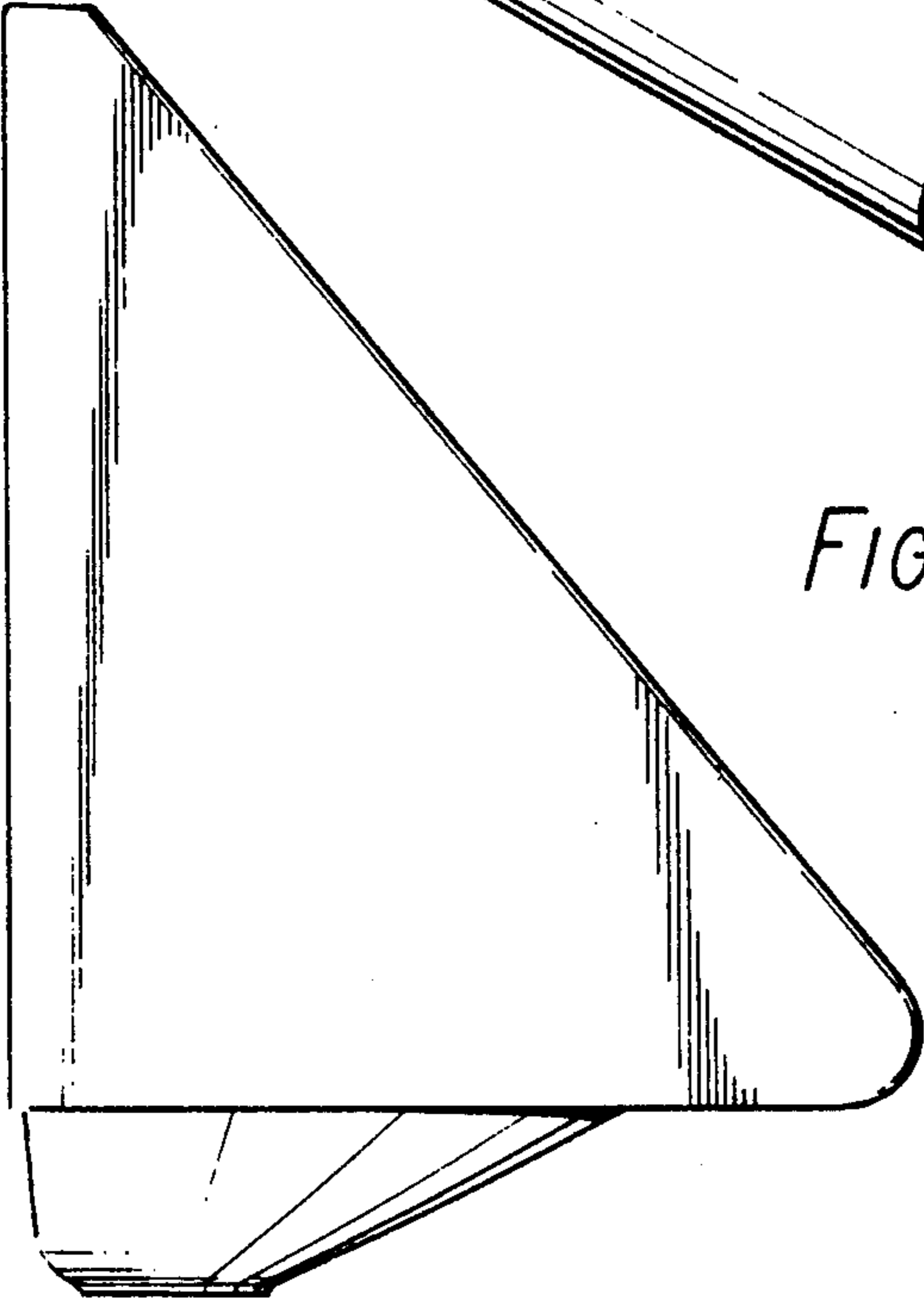


FIG. 3

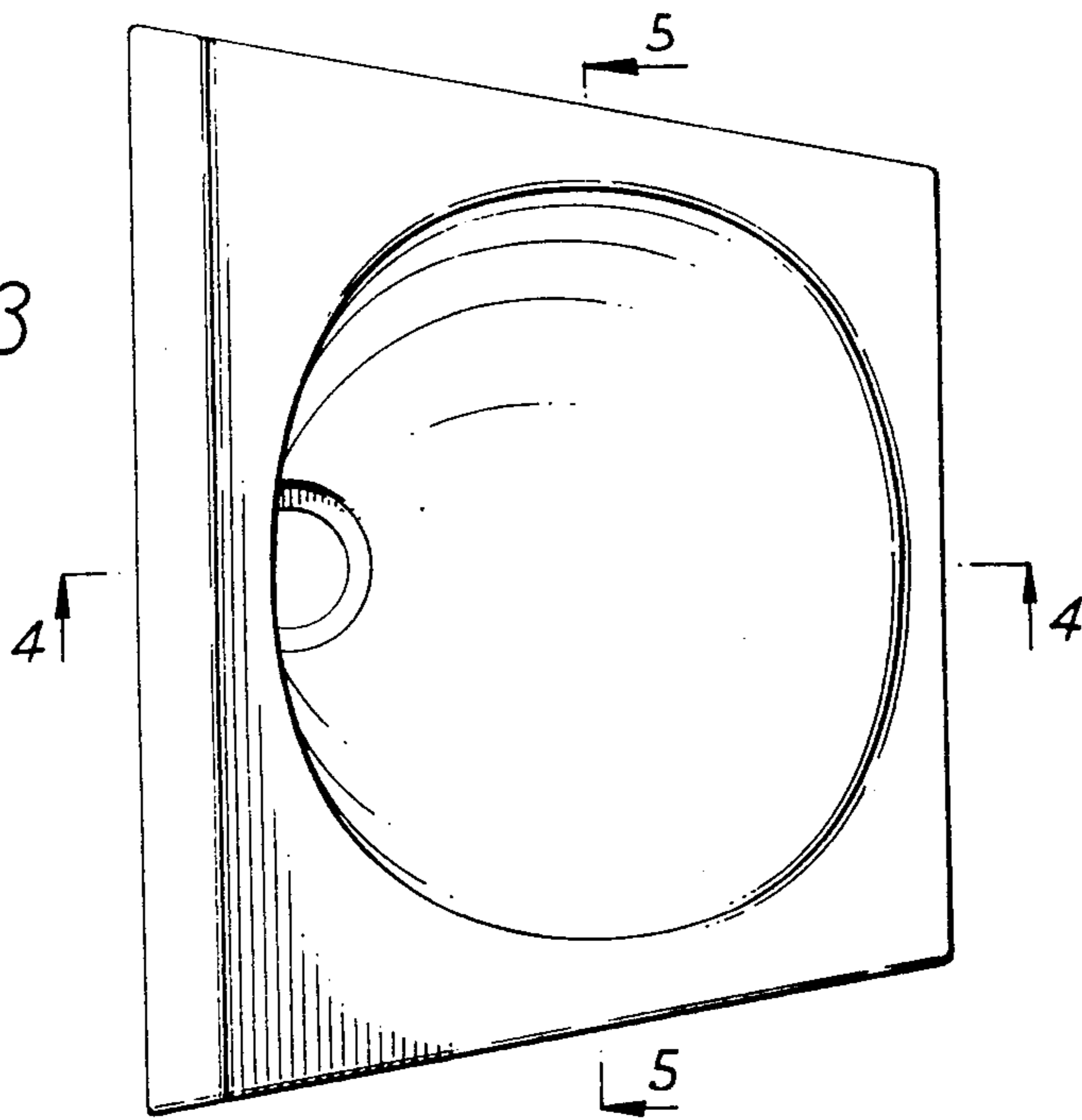


FIG. 4

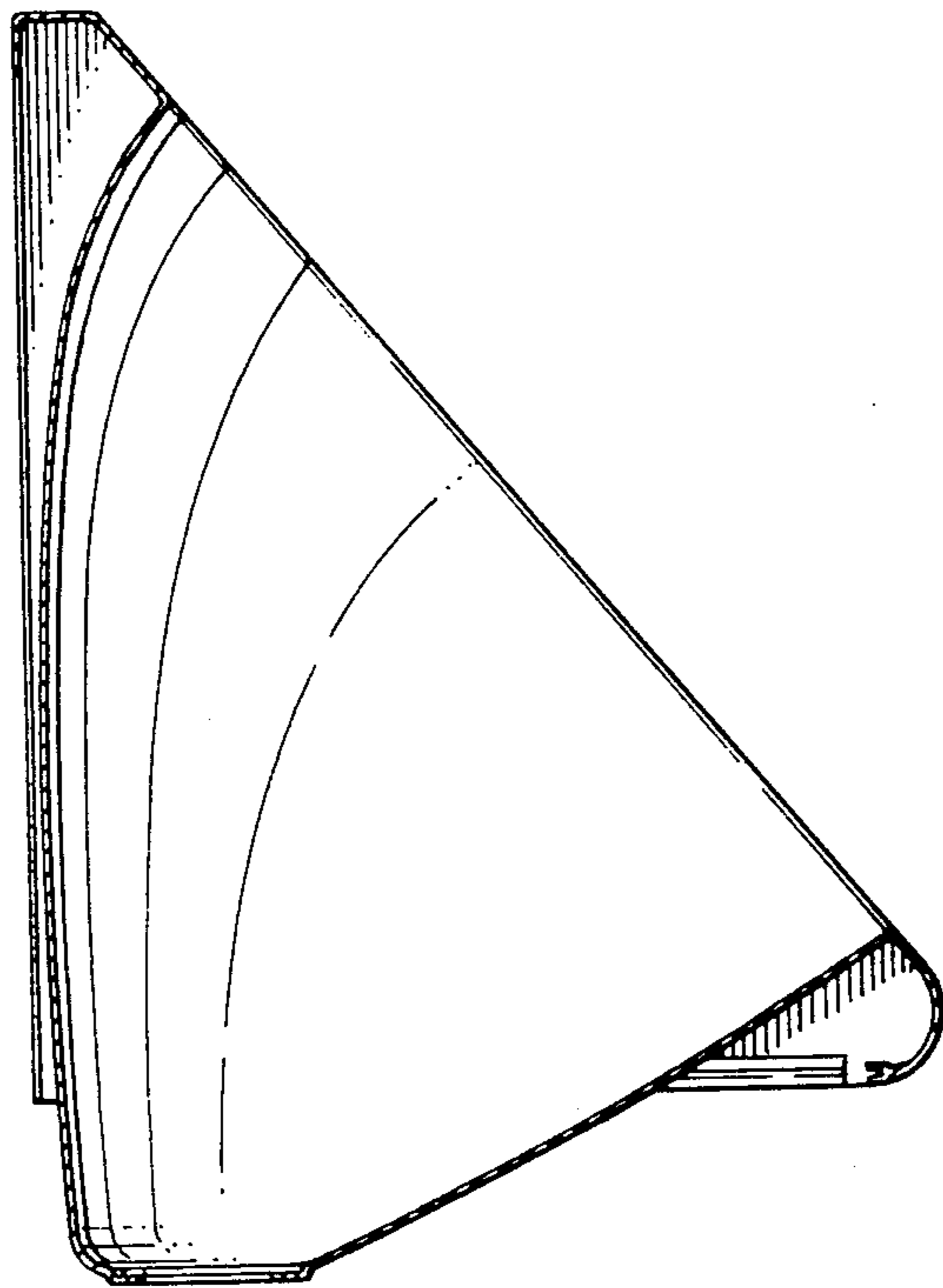


FIG. 5

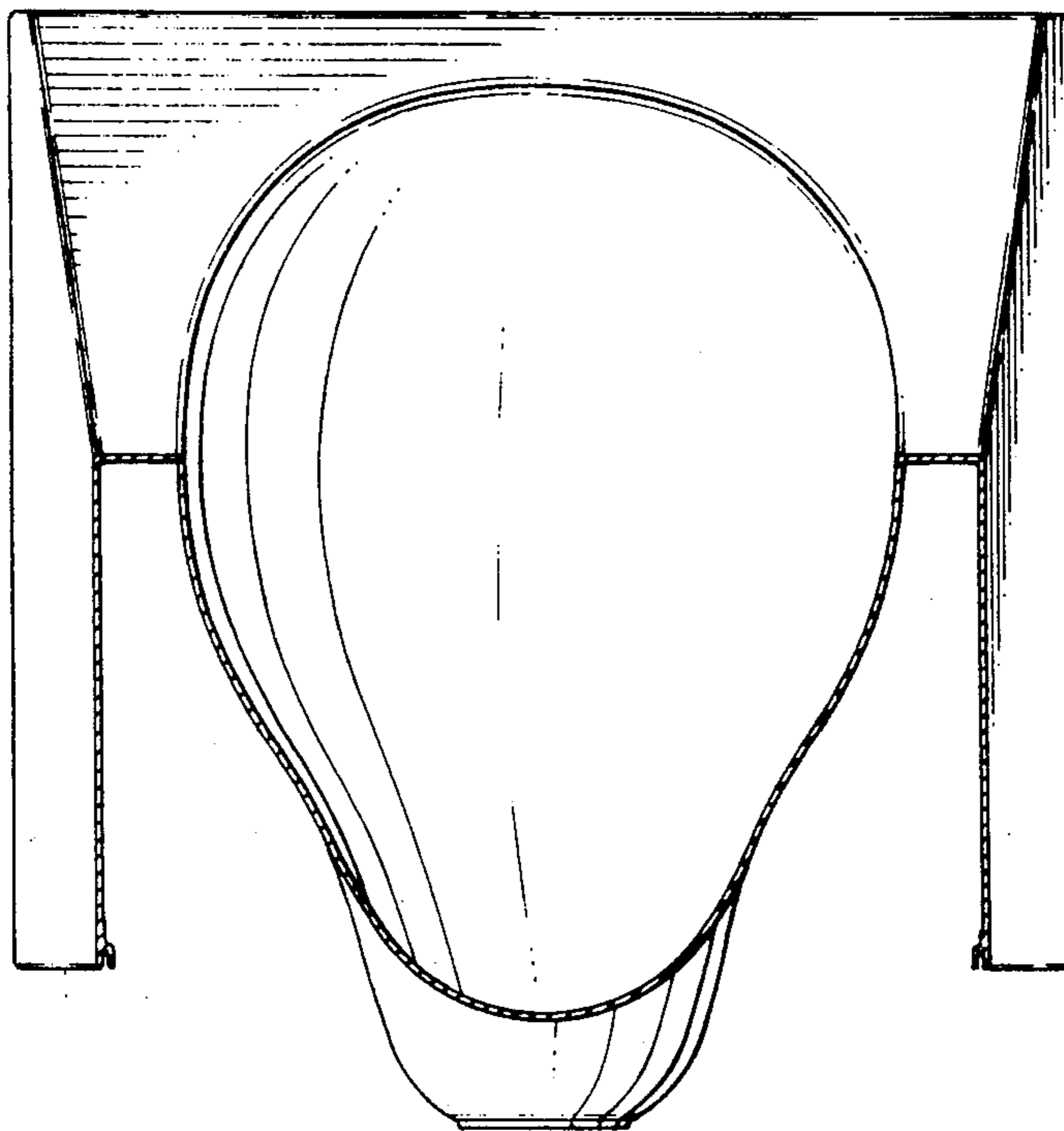


FIG. 6

