

[54] WATER CLOSET

[75] Inventor: Gordon M. Wilson, Tring, England

[73] Assignee: W. & G. Sissons, Limited, Sheffield, England

[**] Term: 14 Years

[21] Appl. No.: 901,262

[22] Filed: Apr. 28, 1978

[30] Foreign Application Priority Data

Nov. 25, 1977 [GB] United Kingdom 982398/77

[51] Int. Cl. D23-02

[52] U.S. Cl. D23/67

[58] Field of Search D23/48-71; 4/252 R, 300, 420, 421, DIG. 15

[56] References Cited

U.S. PATENT DOCUMENTS

- D. 91,696 3/1934 Groenigor D23/67
- D. 187,854 5/1960 Dreyfuss D23/67
- 3,576,038 4/1971 Dinks 4/DIG. 15 X

FOREIGN PATENT DOCUMENTS

- 646738 10/1962 Italy 4/421
- 493000 9/1938 United Kingdom 4/421

Primary Examiner—James R. Largen
Attorney, Agent, or Firm—John E. Lind

[57] CLAIM

The ornamental design for water closet, substantially as shown.

DESCRIPTION

FIG. 1 is a perspective view taken from the top, front and right side of a water closet showing my design;
 FIG. 2 is a rear elevational view thereof;
 FIG. 3 is a left side elevational view thereof;
 FIG. 4 is a top plan view thereof;
 FIG. 5 is a cross sectional view taken on line 5—5 of FIG. 4;
 FIG. 6 is a cross sectional view taken on line 6—6 of FIG. 4;
 FIG. 7 is a cross sectional view taken on line 7—7 of FIG. 4; and
 FIG. 8 is a cross sectional view taken on line 8—8 of FIG. 4.

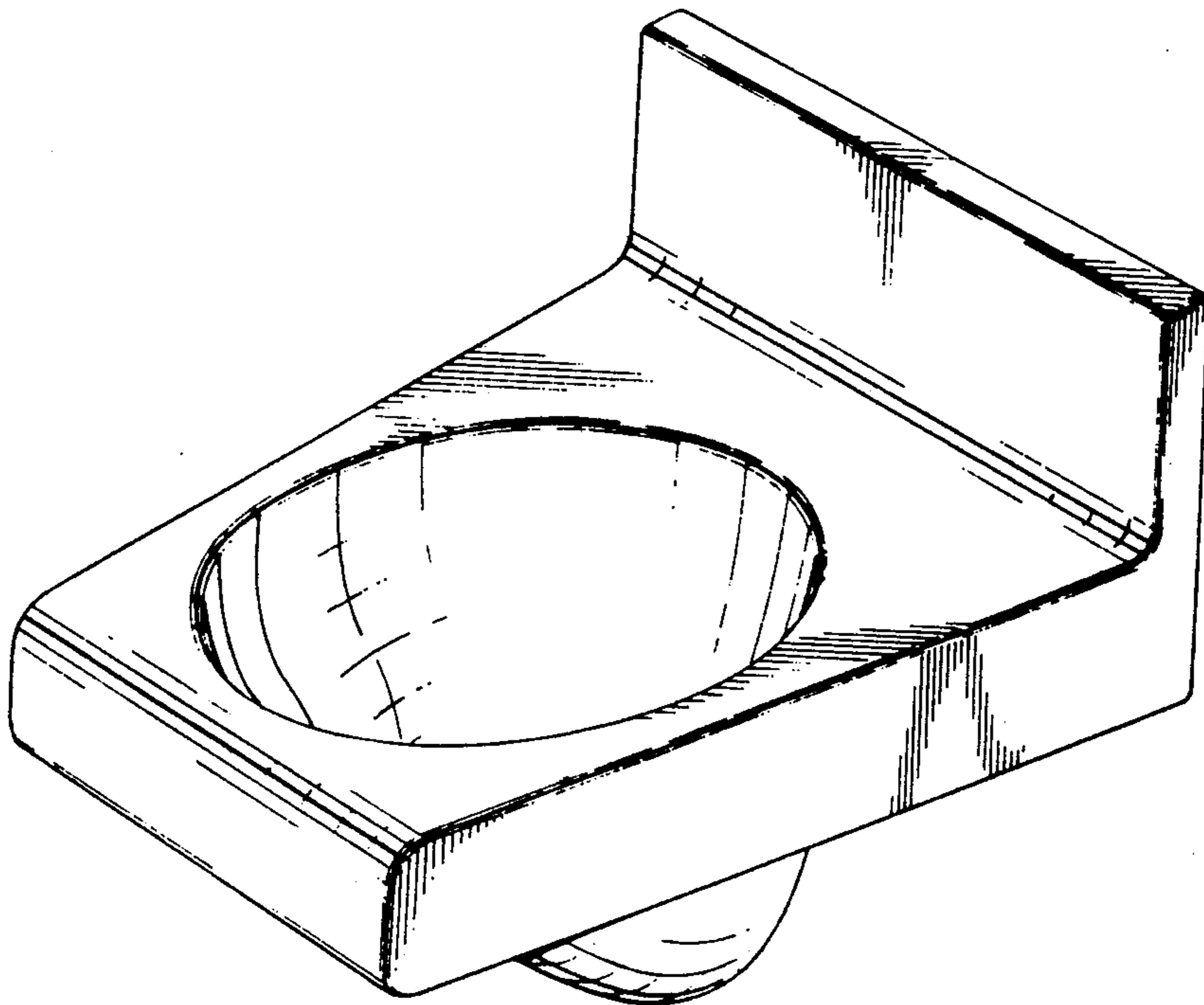


FIG. 1

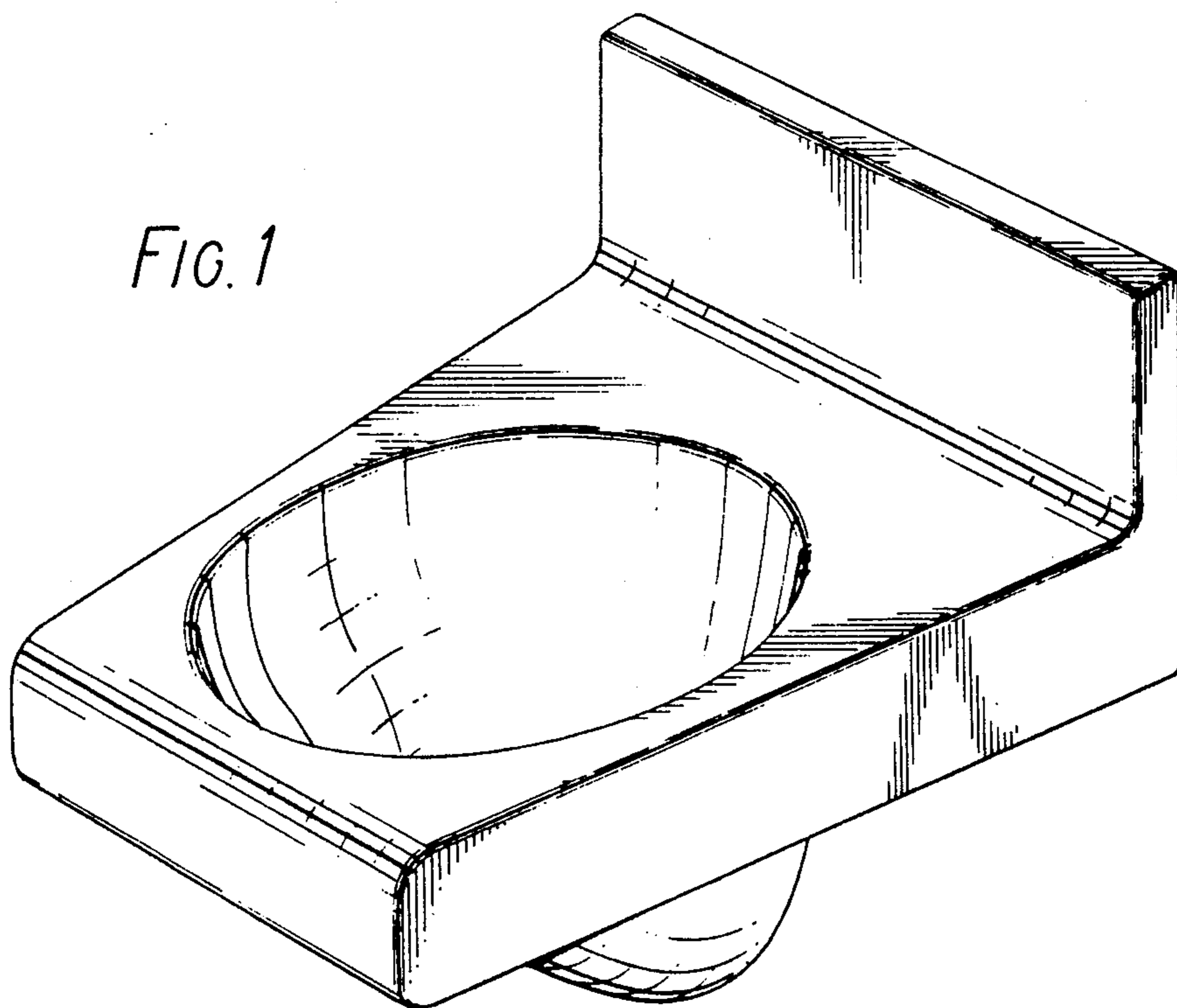


FIG. 2

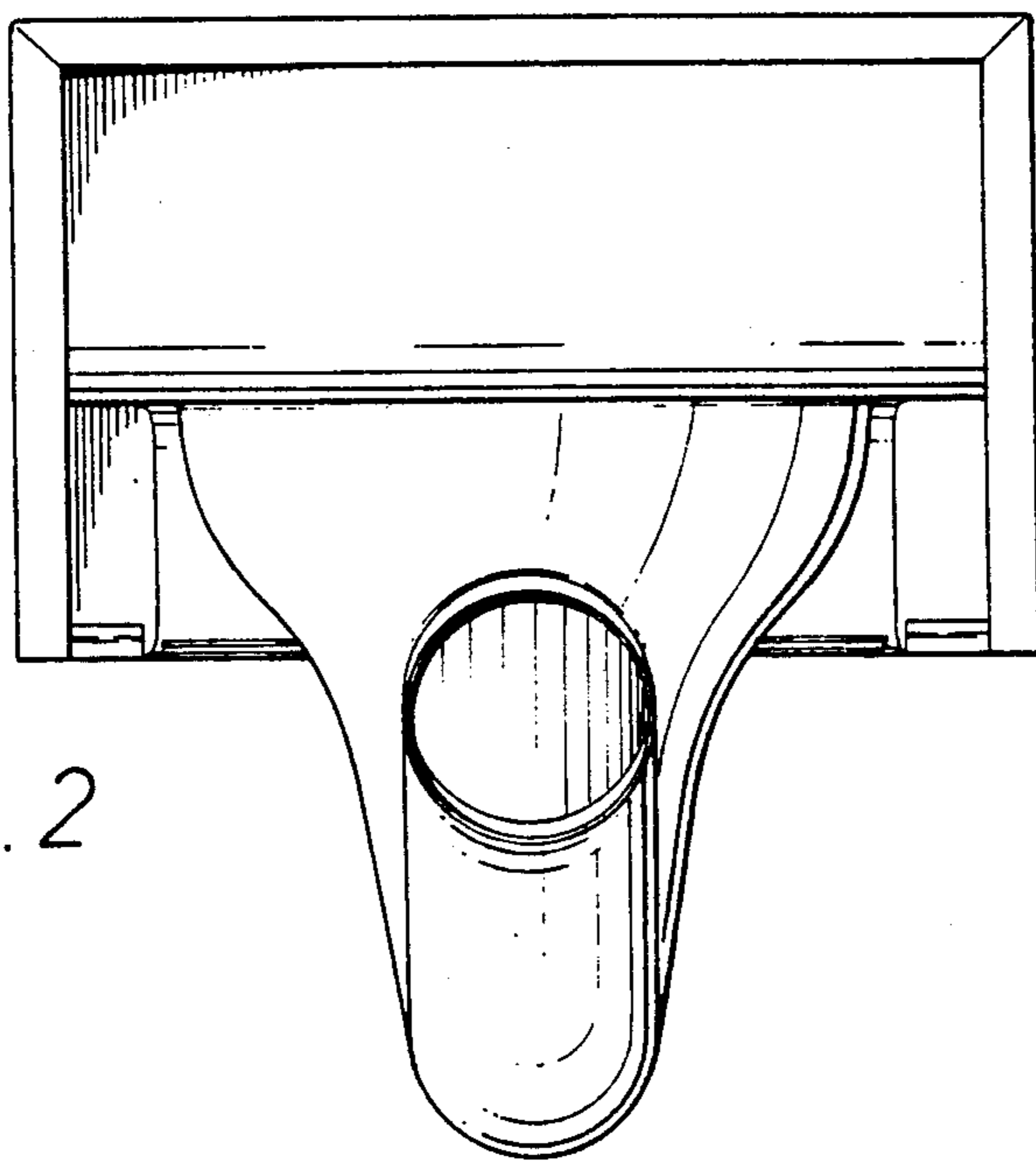


FIG. 3

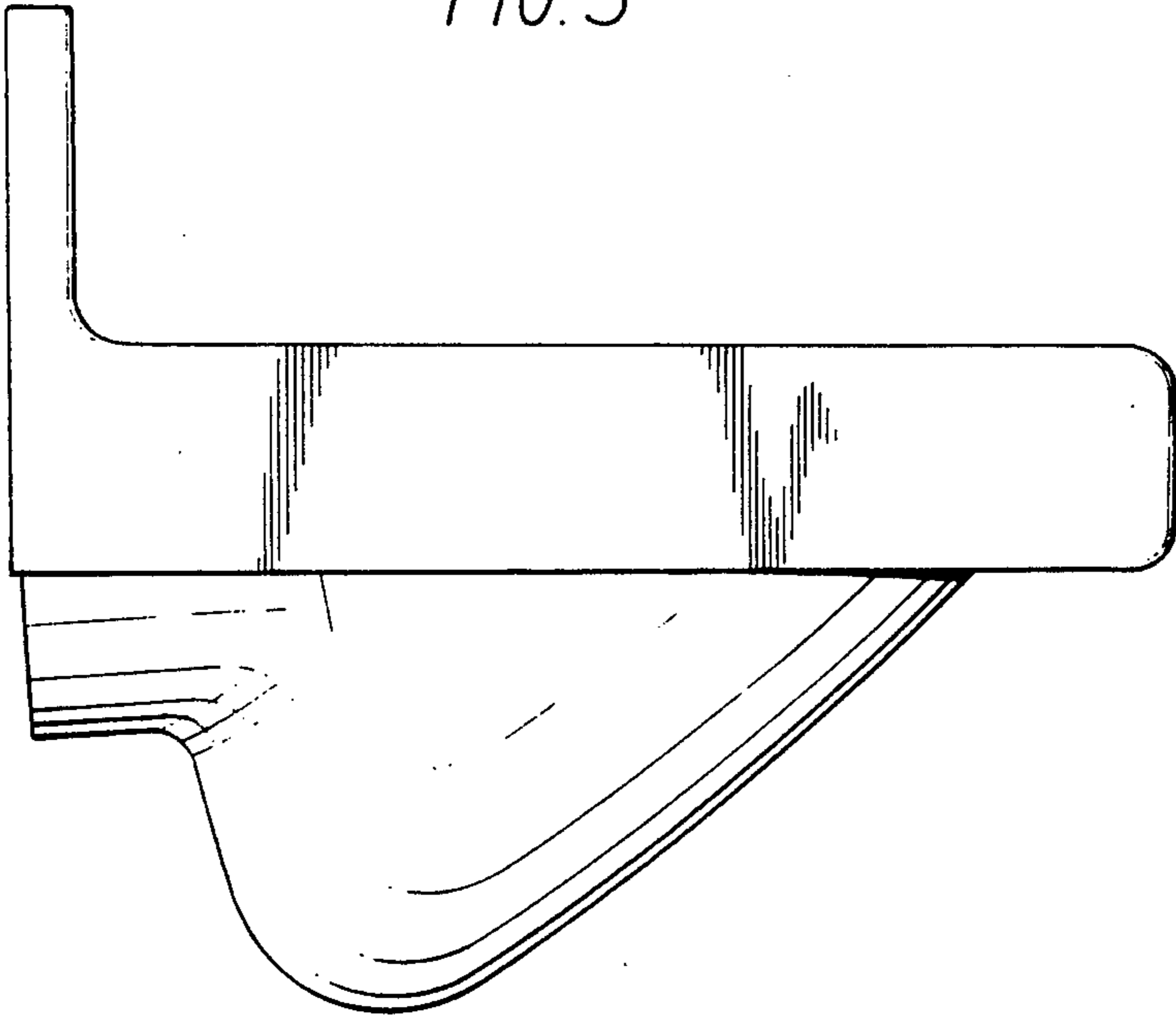
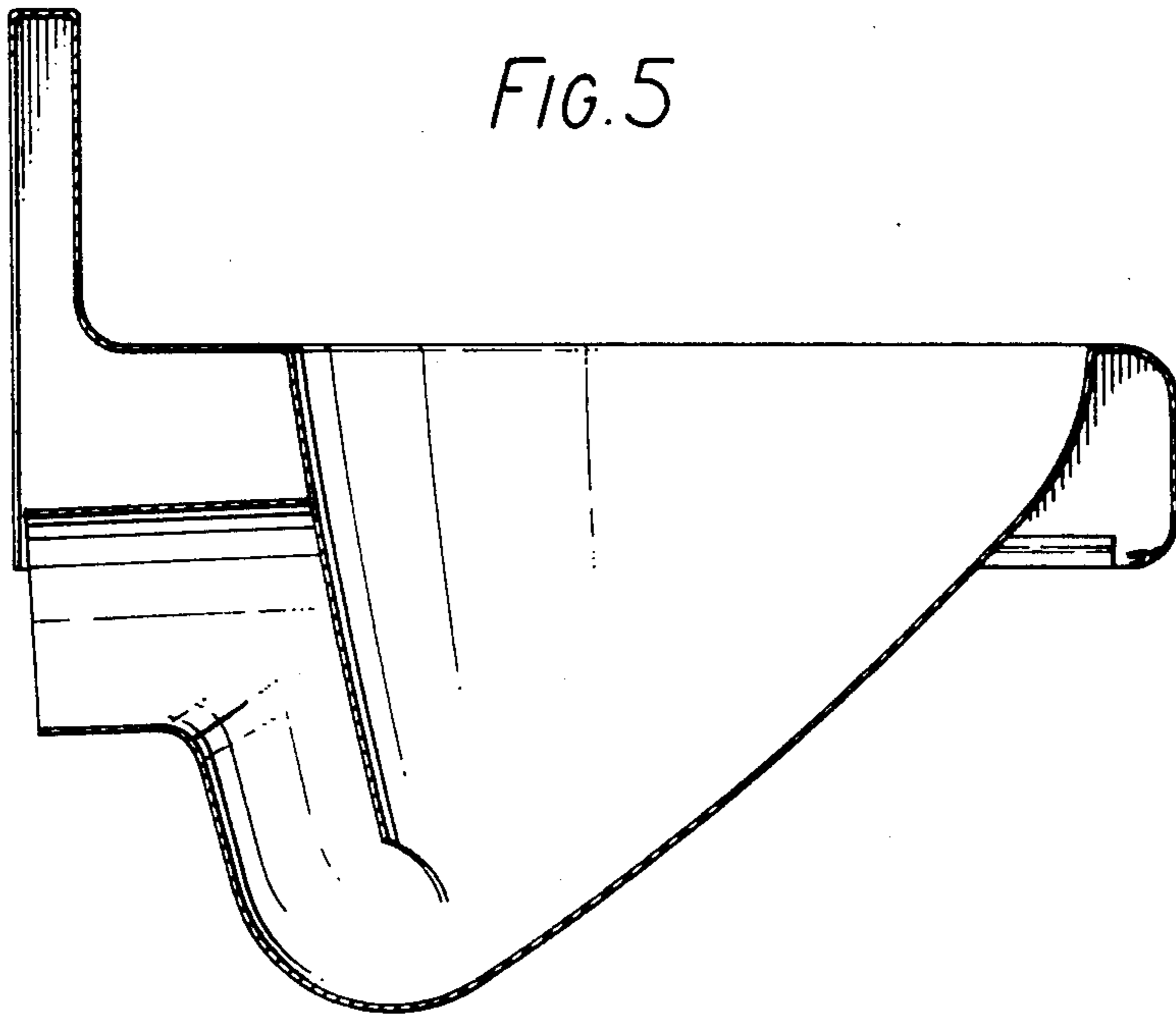
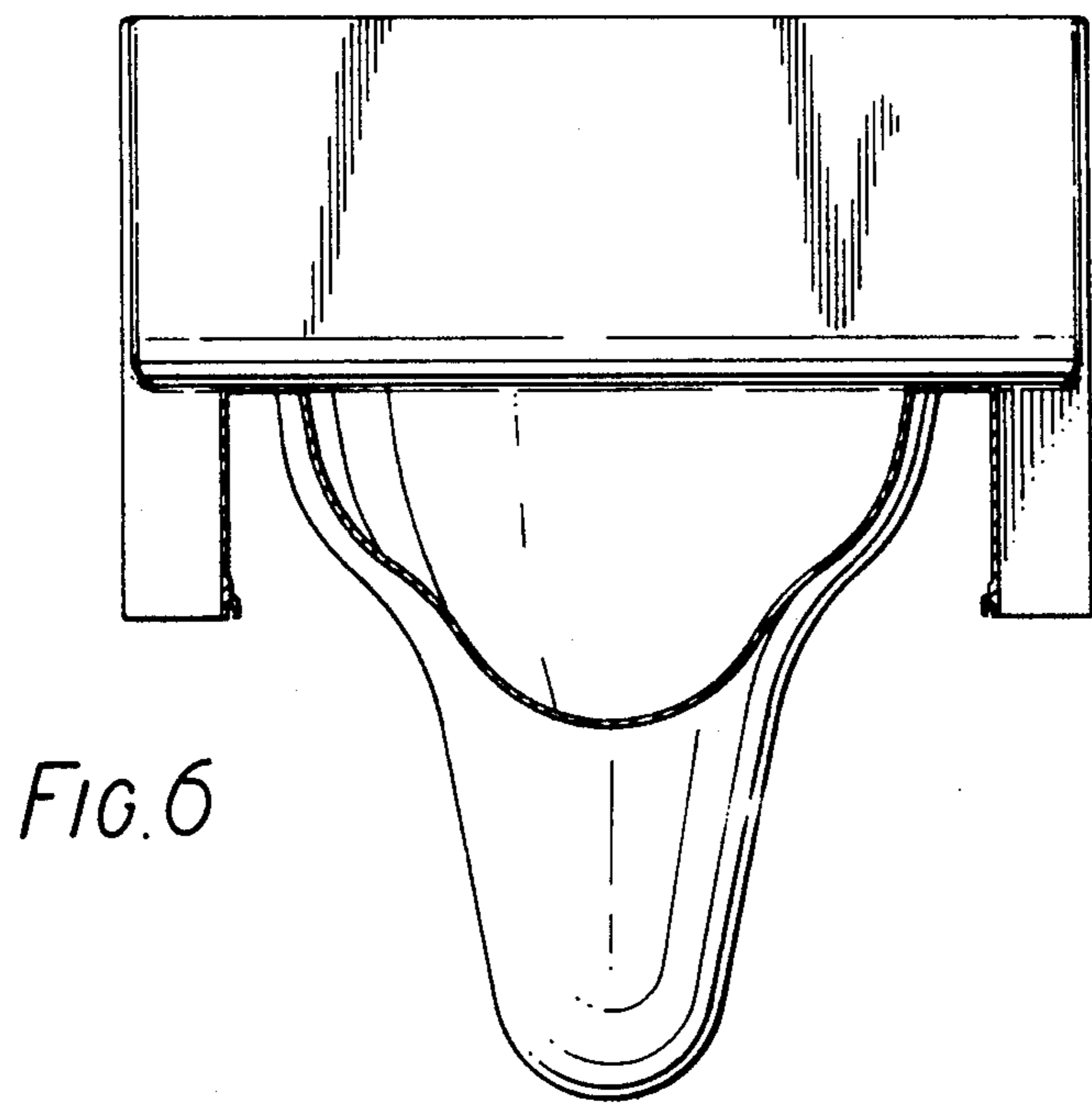
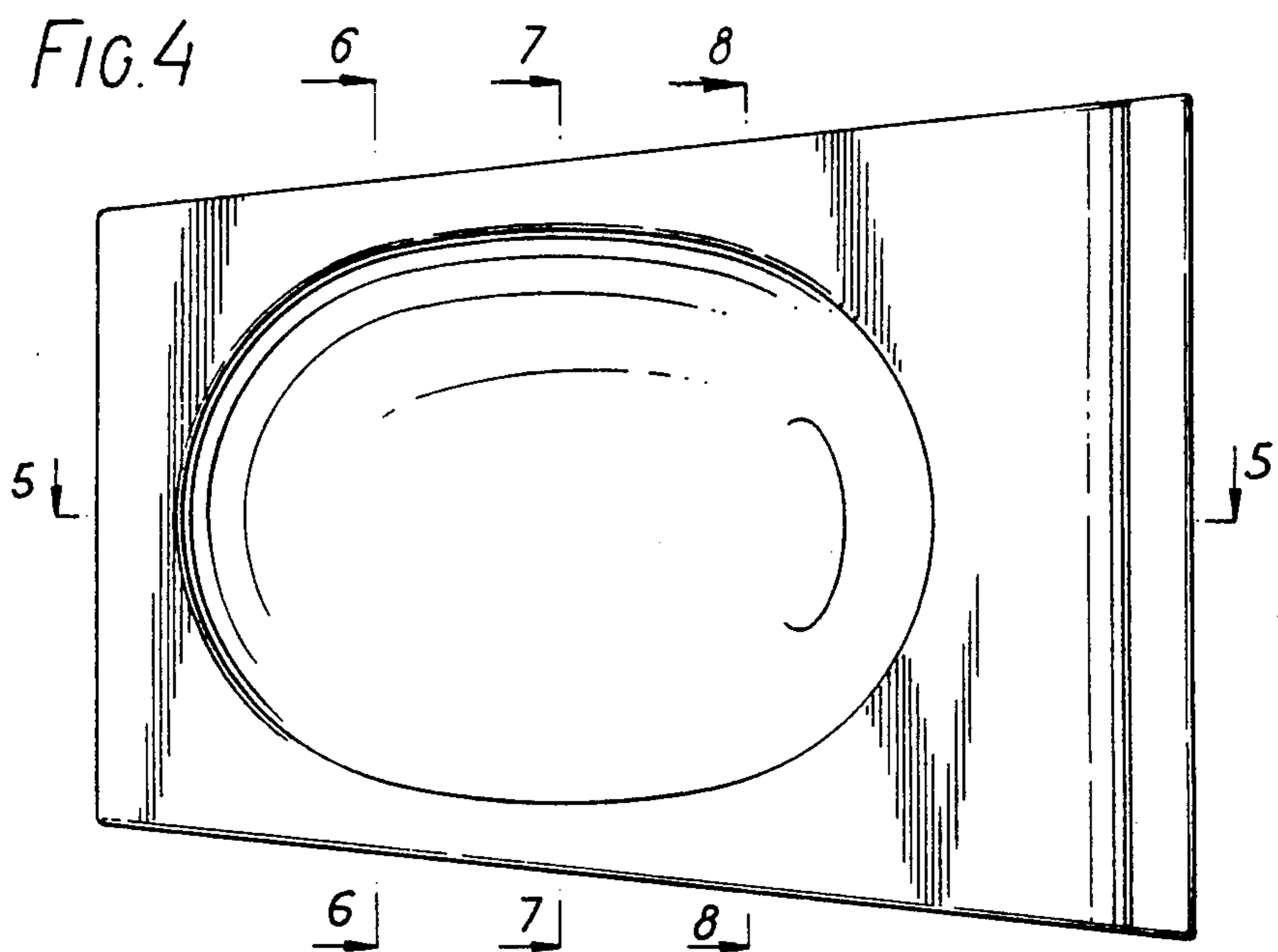


FIG. 5





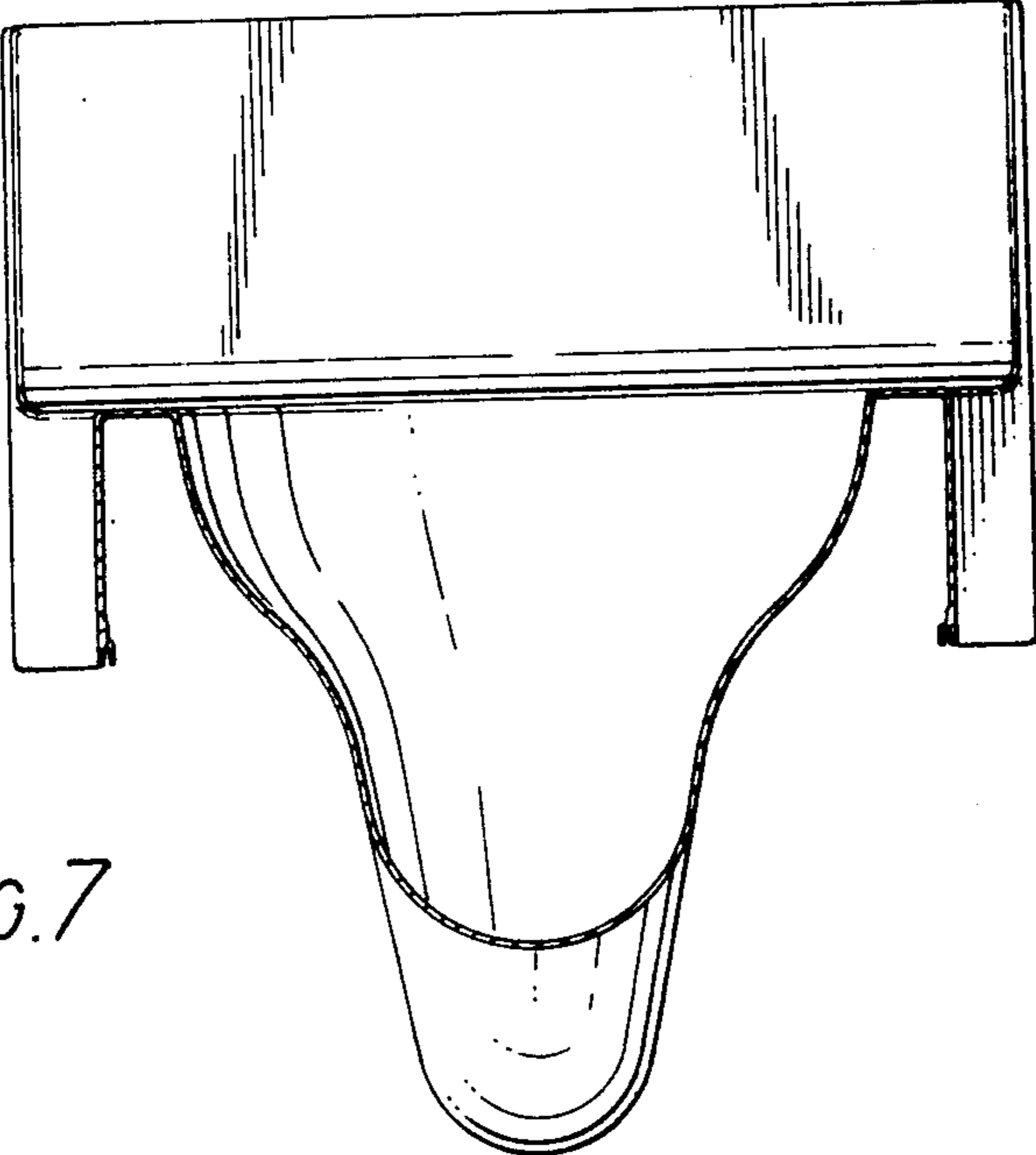


FIG. 7

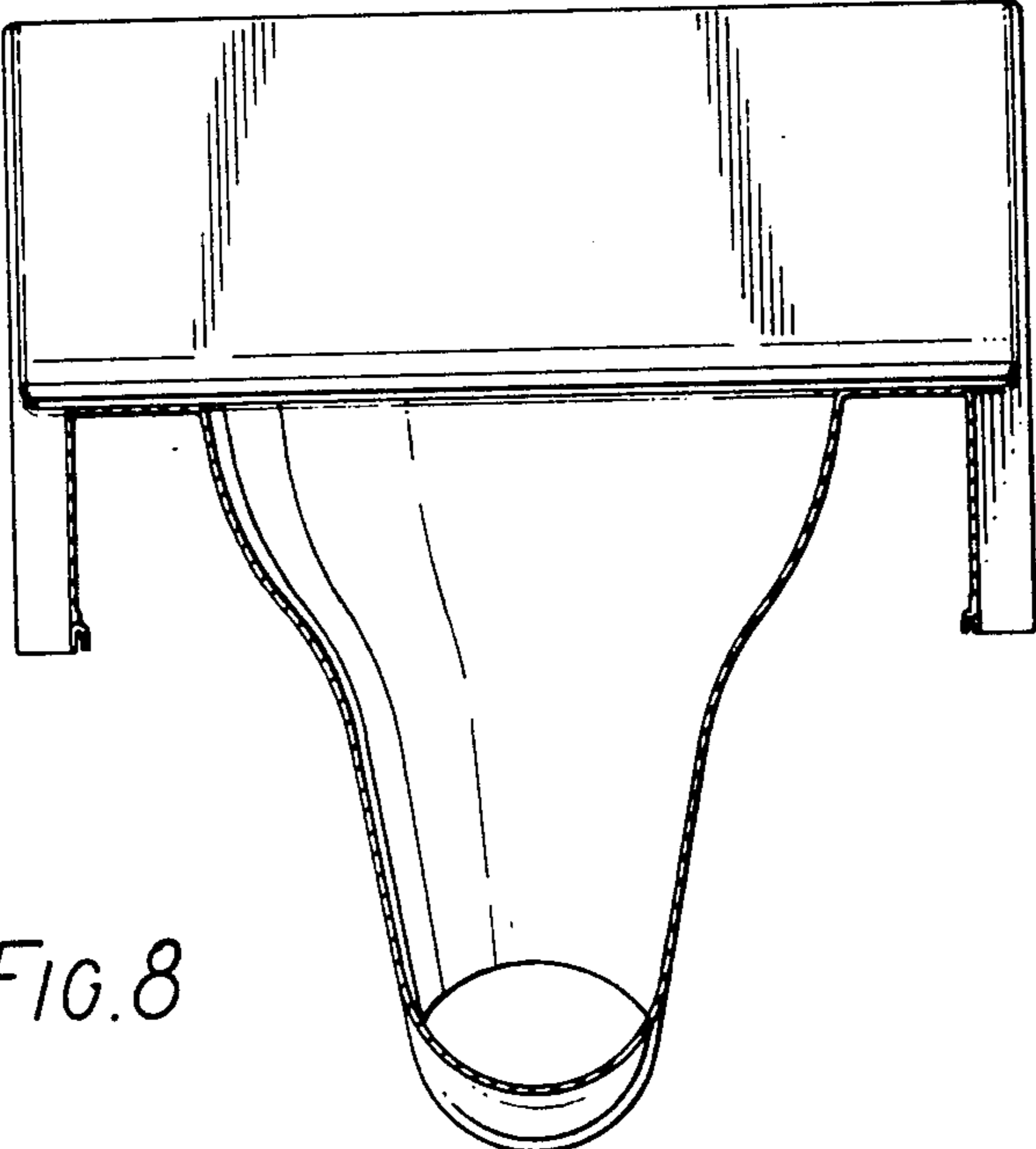


FIG. 8