

[54] LAVATORY

[75] Inventor: Gordon M. Wilson, Tring, England

[73] Assignee: W. & G. Sissons, Limited, Sheffield, England

[**] Term: 14 Years

[21] Appl. No.: 901,261

[22] Filed: Apr. 28, 1978

[30] Foreign Application Priority Data

Nov. 25, 1977 [GB] United Kingdom 982399/77

[51] Int. Cl. D23-02

[52] U.S. Cl. D23/58

[58] Field of Search D23/48-71;
4/166, 167, 187 R

[56]

References Cited

U.S. PATENT DOCUMENTS

1,038,799	9/1912	Swyney	4/166
1,408,830	3/1922	Rowe	4/166
1,468,565	9/1923	Guth	4/166
1,480,082	1/1924	Kratochvil	4/166

Primary Examiner—James R. Largen
Attorney, Agent, or Firm—John E. Lind

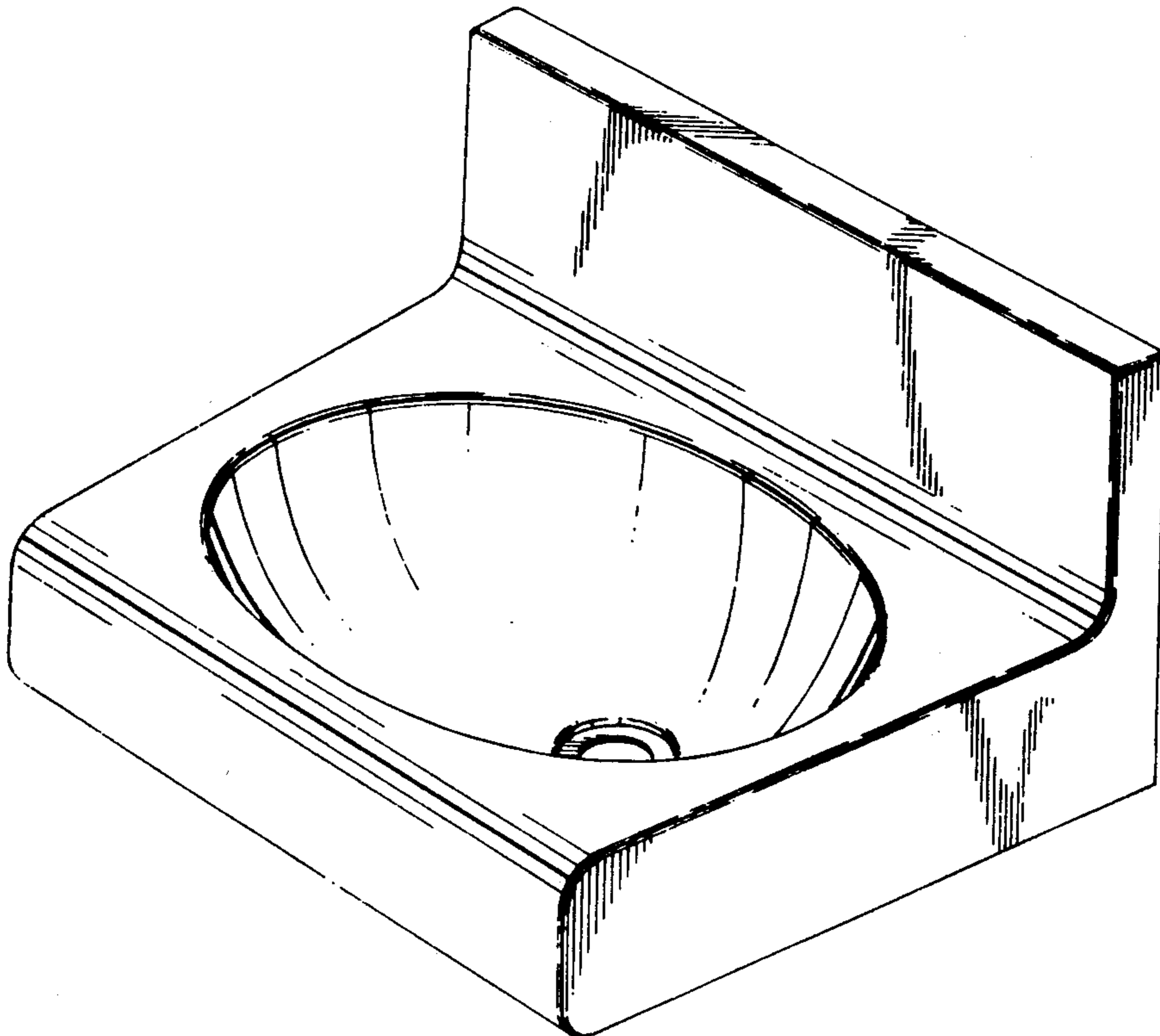
[57]

CLAIM

The ornamental design for lavatory, substantially as shown.

DESCRIPTION

FIG. 1 is a perspective view taken from the front, top and right side of a lavatory showing my new design; FIG. 2 is a left side elevational view thereof; FIG. 3 is a rear elevational view thereof; FIG. 4 is a top plan view thereof; FIG. 5 is a cross sectional view taken on line 5-5 of FIG. 4; FIG. 6 is a cross sectional view taken on line 6-6 of FIG. 4.



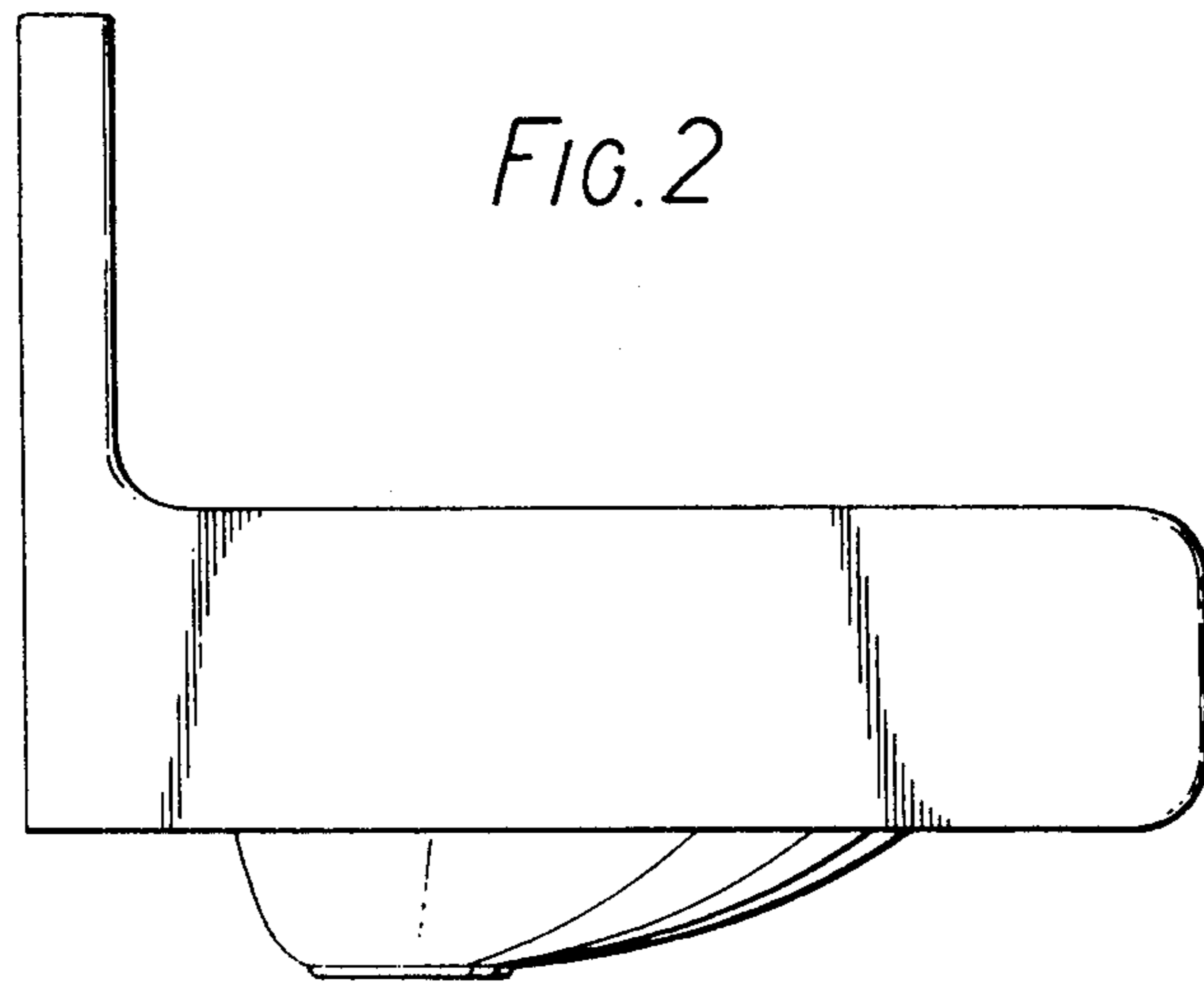
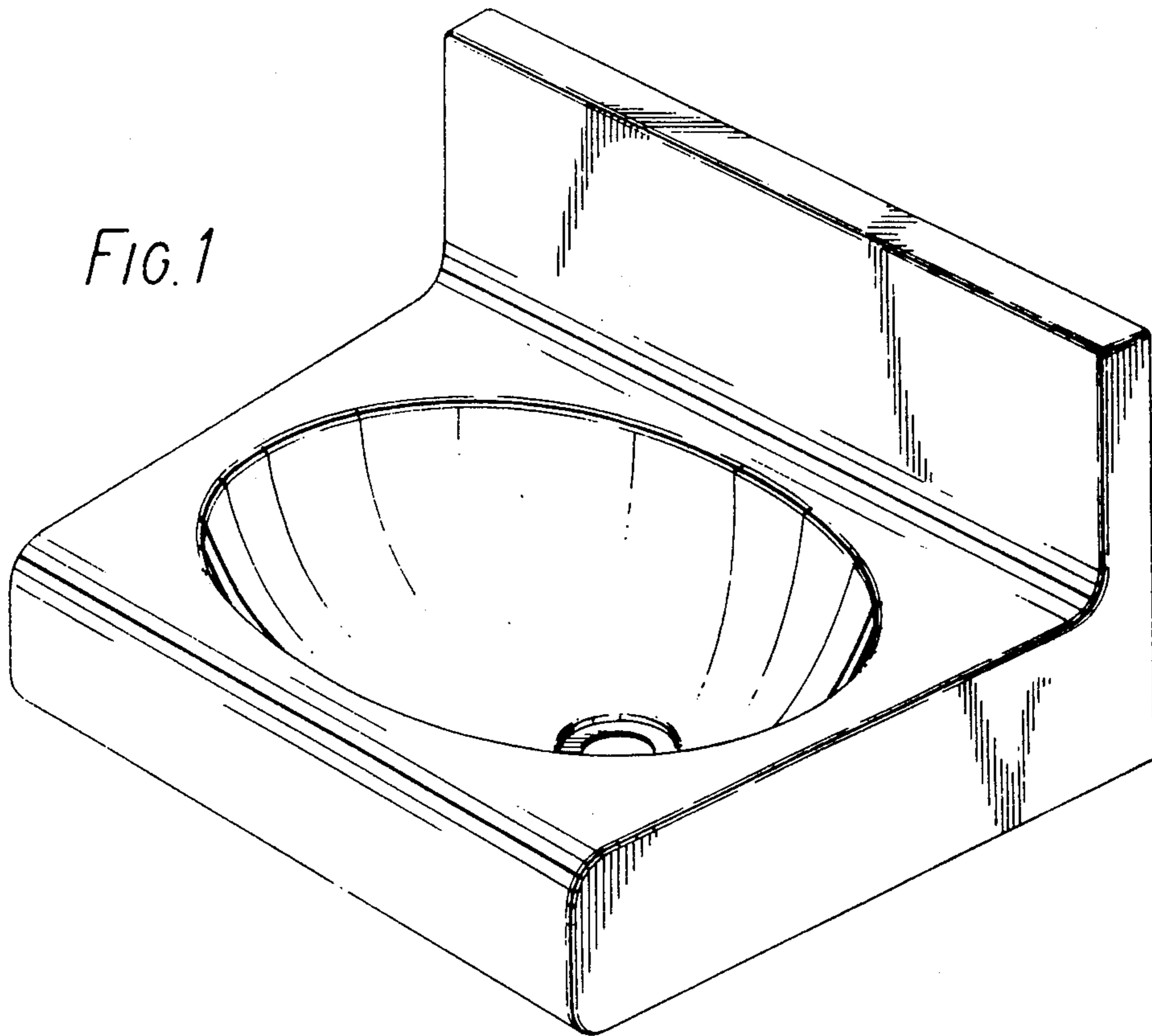


FIG. 3

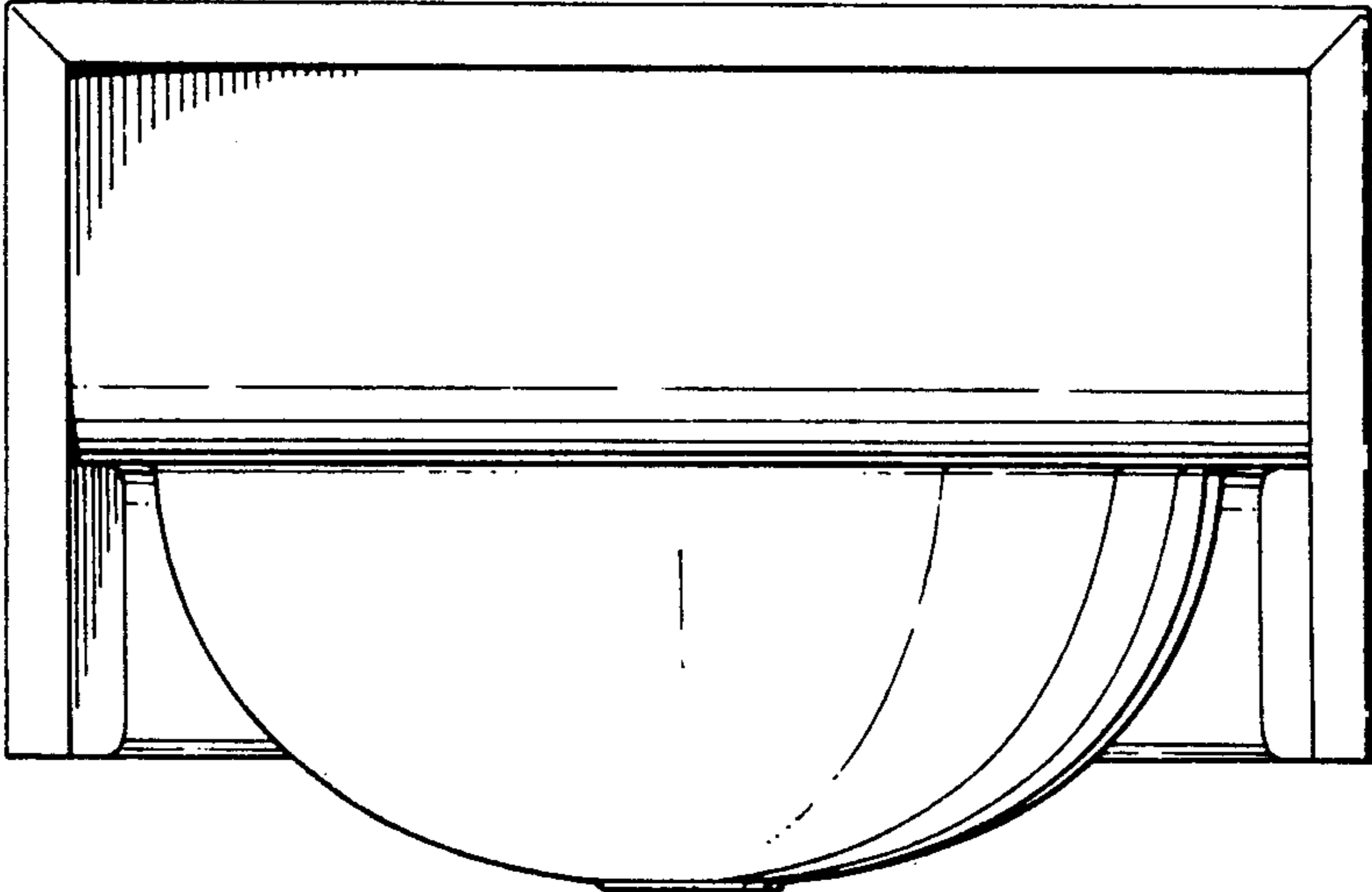


FIG. 5

