

[54] ROTARY CARD FILE

[75] Inventor: Hilda L. Neilsen, Metuchen, N.J.

[73] Assignee: Rolodex Corporation, Secaucus, N.J.

[\*\*] Term: 14 Years

[21] Appl. No.: 783,383

[22] Filed: Mar. 31, 1977

[51] Int. Cl. .... D19-02

[52] U.S. Cl. .... D19/76

[58] Field of Search ..... D19/75, 76; 40/72, 68, 40/68.4, 68.6, 72, 102; 312/59, 186, 187; 211/115

[56] References Cited

U.S. PATENT DOCUMENTS

2,562,593	7/1951	Adams	312/186
2,589,383	3/1952	Holt	40/68.6
3,279,470	10/1966	Neilsen	211/115

FOREIGN PATENT DOCUMENTS

580409 10/1976 Switzerland ..... 312/186

OTHER PUBLICATIONS

Office Products, Oct. 1976, p. 52.  
House Beautiful, 8/48, p. 100, rt. center.

Primary Examiner—George P. Word  
Attorney, Agent, or Firm—Robert E. Burns

[57] CLAIM

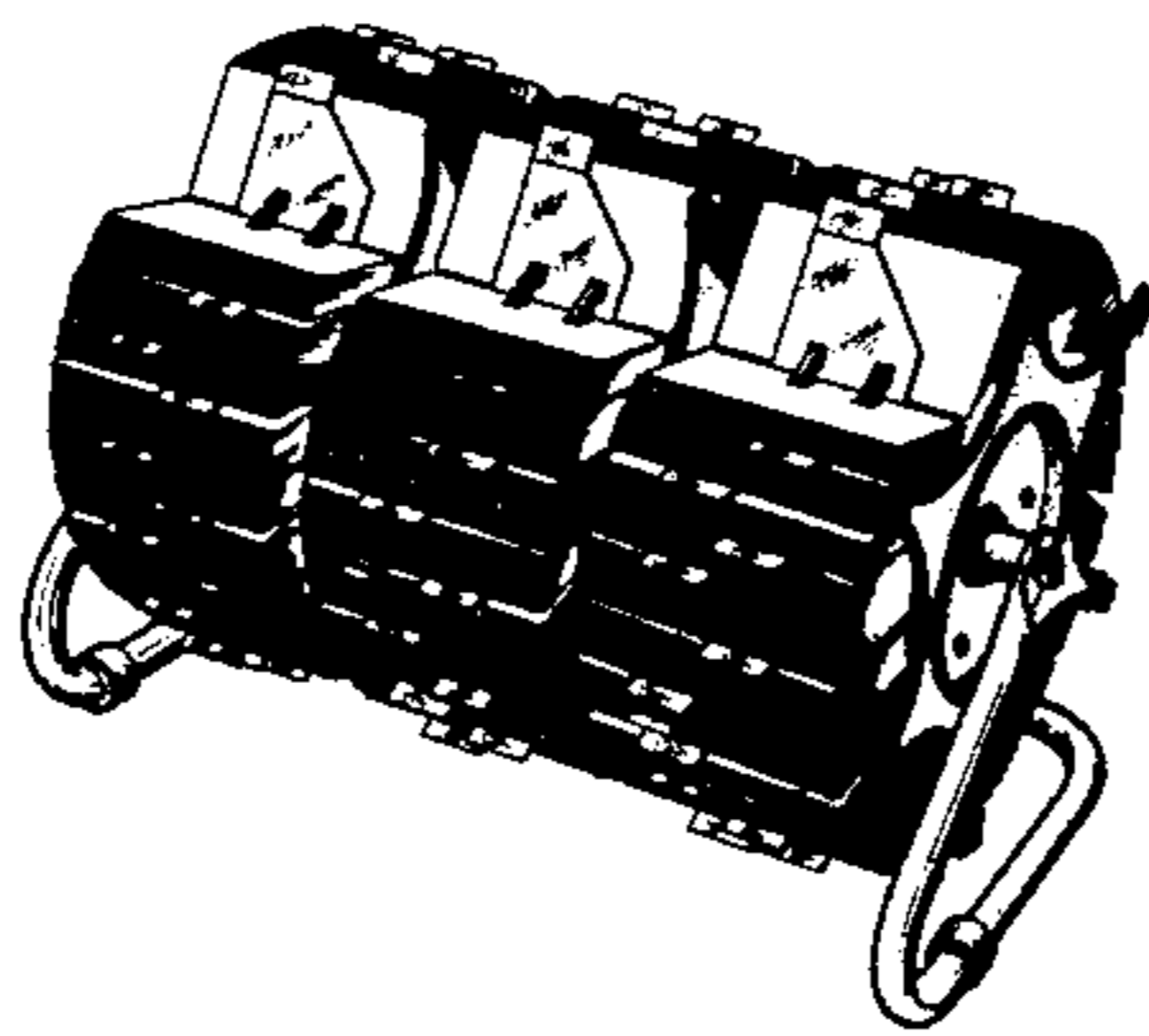
The ornamental design for a rotary card file, as shown and described.

DESCRIPTION

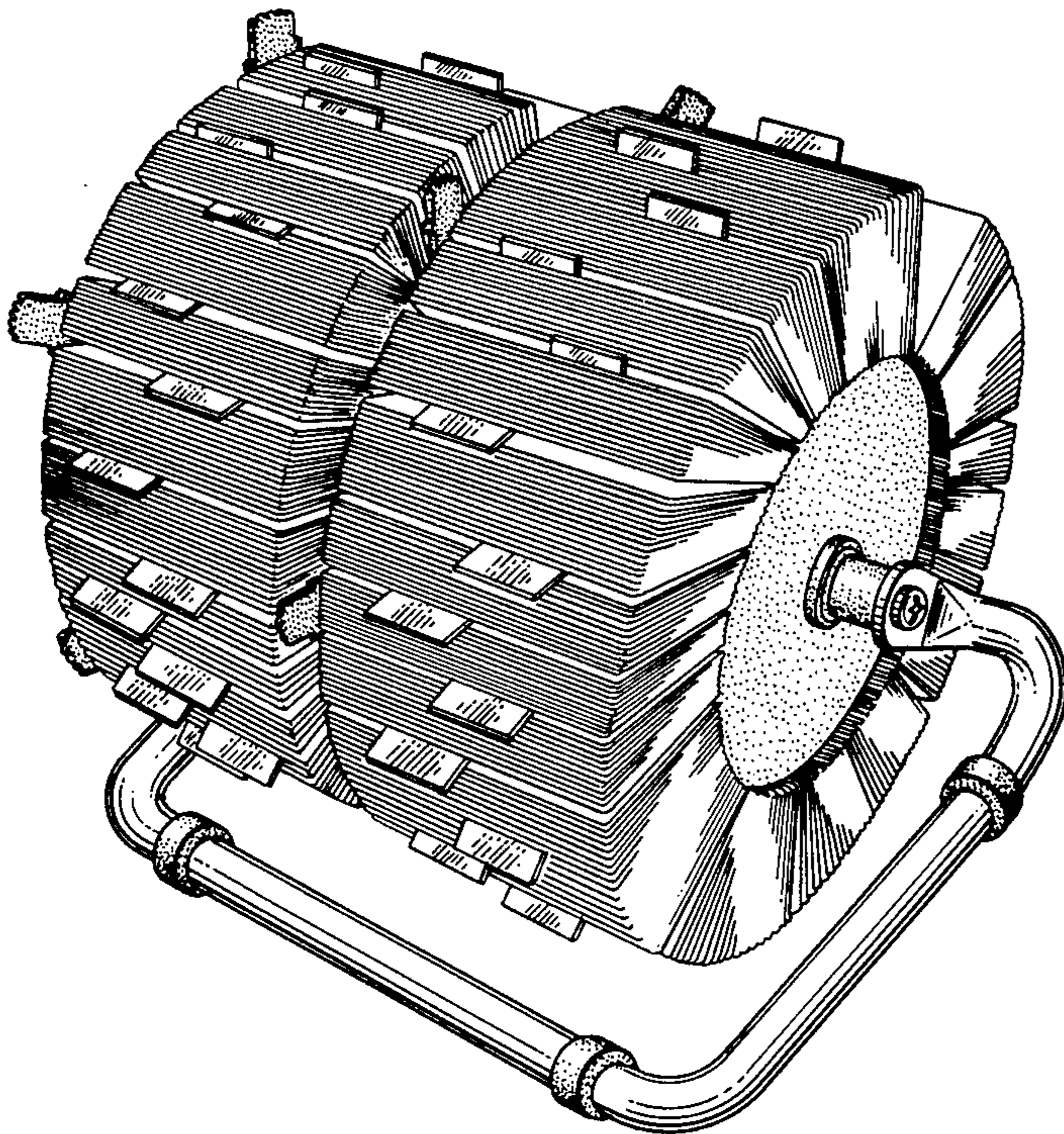
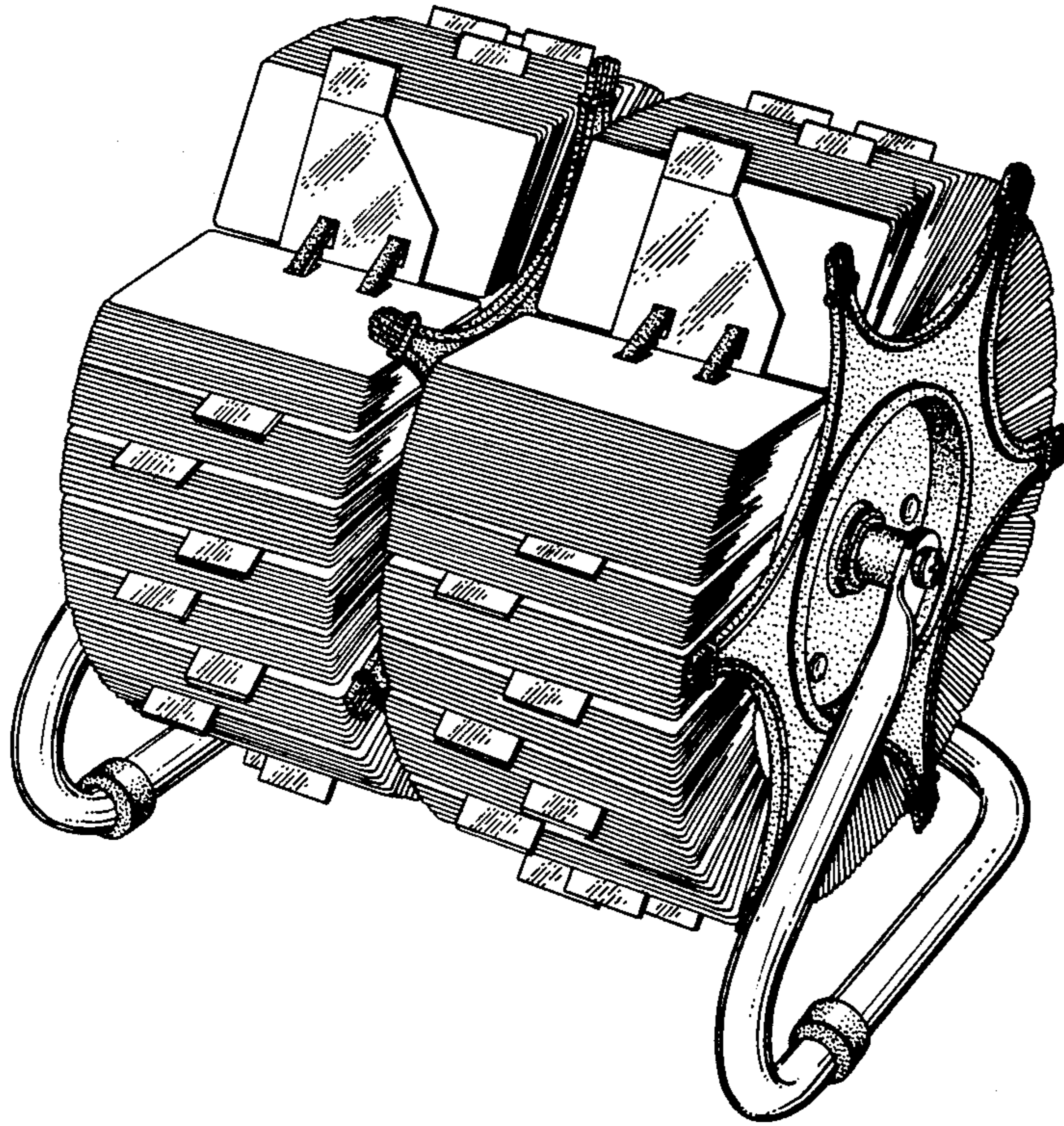
FIG. 1 is a perspective view of a rotary card file showing my new design,

FIG. 2 is a rear perspective view thereof, and FIG. 3 is a perspective view of an alternative embodiment of the rotary card file.

As viewed from the rear the rotary card file shown in FIG. 3 is the same as that shown in FIG. 2 except for the addition of a third unit as illustrated in FIG. 3.



*FIG. 1*



*FIG. 2*

*FIG. 3*

