

[54] ELECTRONIC TYPEWRITER

[75] Inventor: Mario Bellini, Milan, Italy

[73] Assignee: Ing. C. Olivetti & C., S.p.A., Ivrea, Italy

[**] Term: 14 Years

[21] Appl. No.: 972,828

[22] Filed: Dec. 26, 1978

[30] Foreign Application Priority Data

Jun. 27, 1978 [IT] Italy 53456/78[U]

[51] Int. Cl. D18-01

[52] U.S. Cl. D18/1

[58] Field of Search D18/1, 2; D21/127; 400/691-694

[56] References Cited

U.S. PATENT DOCUMENTS

D. 231,635	5/1974	Penney	D18/1
D. 235,579	6/1975	DeTomaso et al.	D18/1
D. 241,774	10/1976	Clowe	D18/1

OTHER PUBLICATIONS

Office Products, Jul. 1978, pp. 98-99 (Insert Business Reply Card)-Typewriter in Photo.

Primary Examiner-Louis S. Zarfas

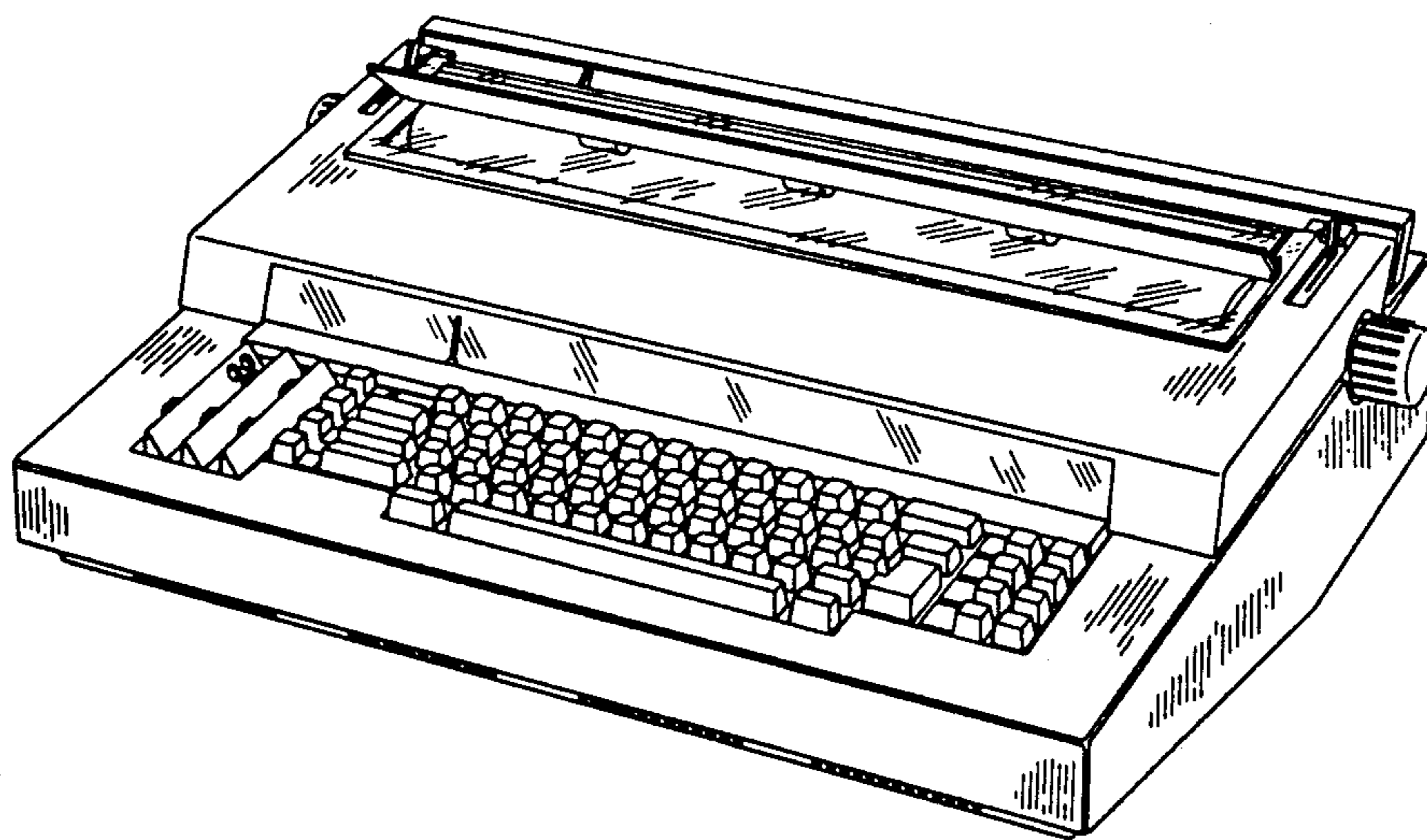
Attorney, Agent, or Firm-William E. Schuyler, Jr.

[57] CLAIM

The ornamental design for an electronic typewriter, substantially as shown and described.

DESCRIPTION

FIG. 1 is a front and right perspective view of an electronic typewriter showing my new design; FIG. 2 is a rear and left perspective view thereof.



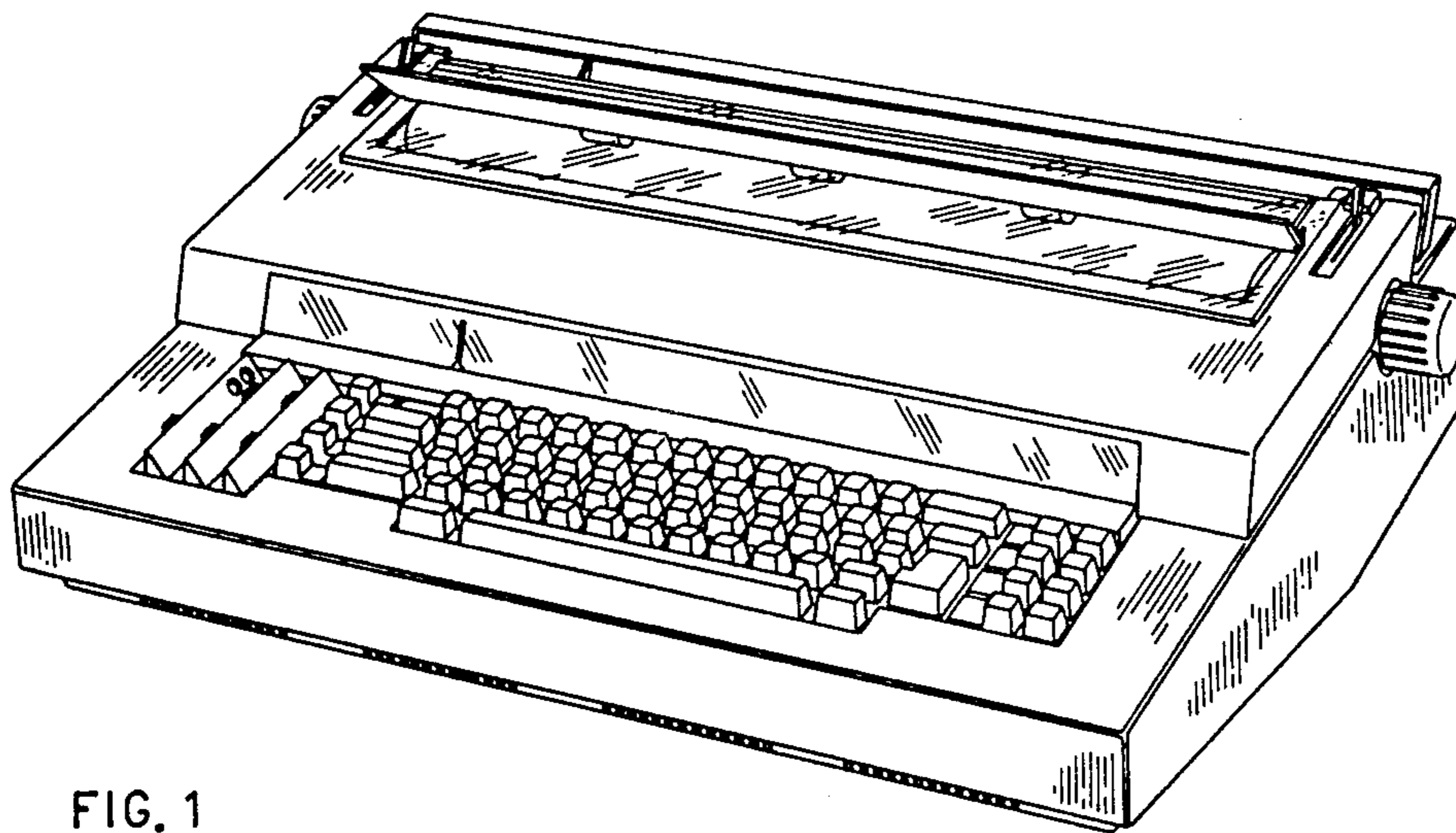


FIG. 1

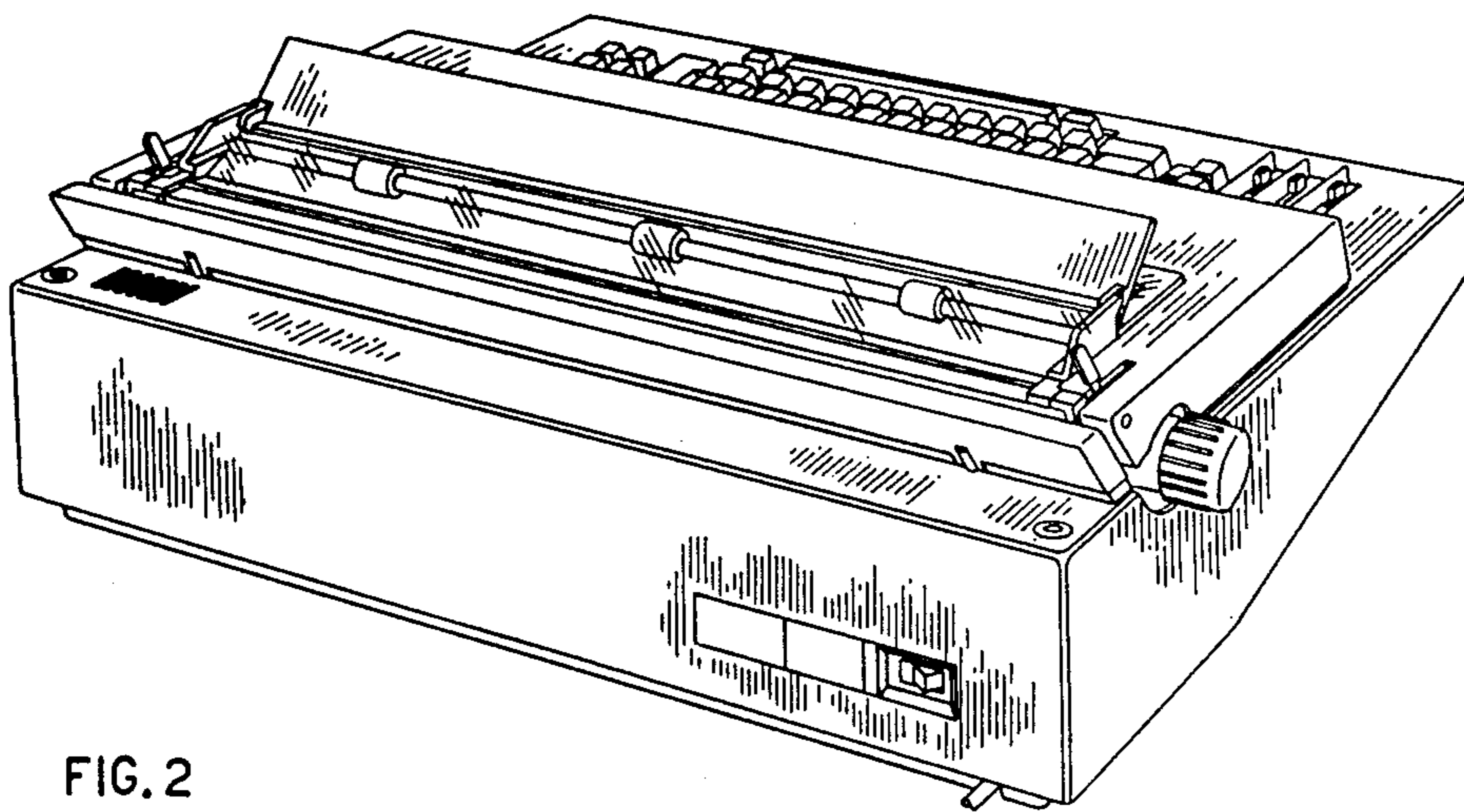


FIG. 2