

[54] CAMERA TRIPOD OR THE LIKE

[75] Inventor: Yukinobu Shiraishi, Tokyo, Japan
[73] Assignee: Slik Tripod Co., Ltd., Saitama, Japan
[**] Term: 14 Years
[21] Appl. No.: 899,640
[22] Filed: Apr. 24, 1978

[30] Foreign Application Priority Data
Oct. 24, 1977 [JP] Japan 52-41968

[51] Int. Cl. D16-05
[52] U.S. Cl. D16/45
[58] Field of Search D16/44, 45, 46; 354/80,
354/81, 82, 293; 248/163, 166, 168, 169, 176,
188.1, 188.6, 188.7

[56] References Cited

U.S. PATENT DOCUMENTS

1,863,761 6/1932 Neuwirth 248/168 X
2,579,348 12/1951 Taylor 248/168 X

FOREIGN PATENT DOCUMENTS

7506218 1/1976 Netherlands 248/169

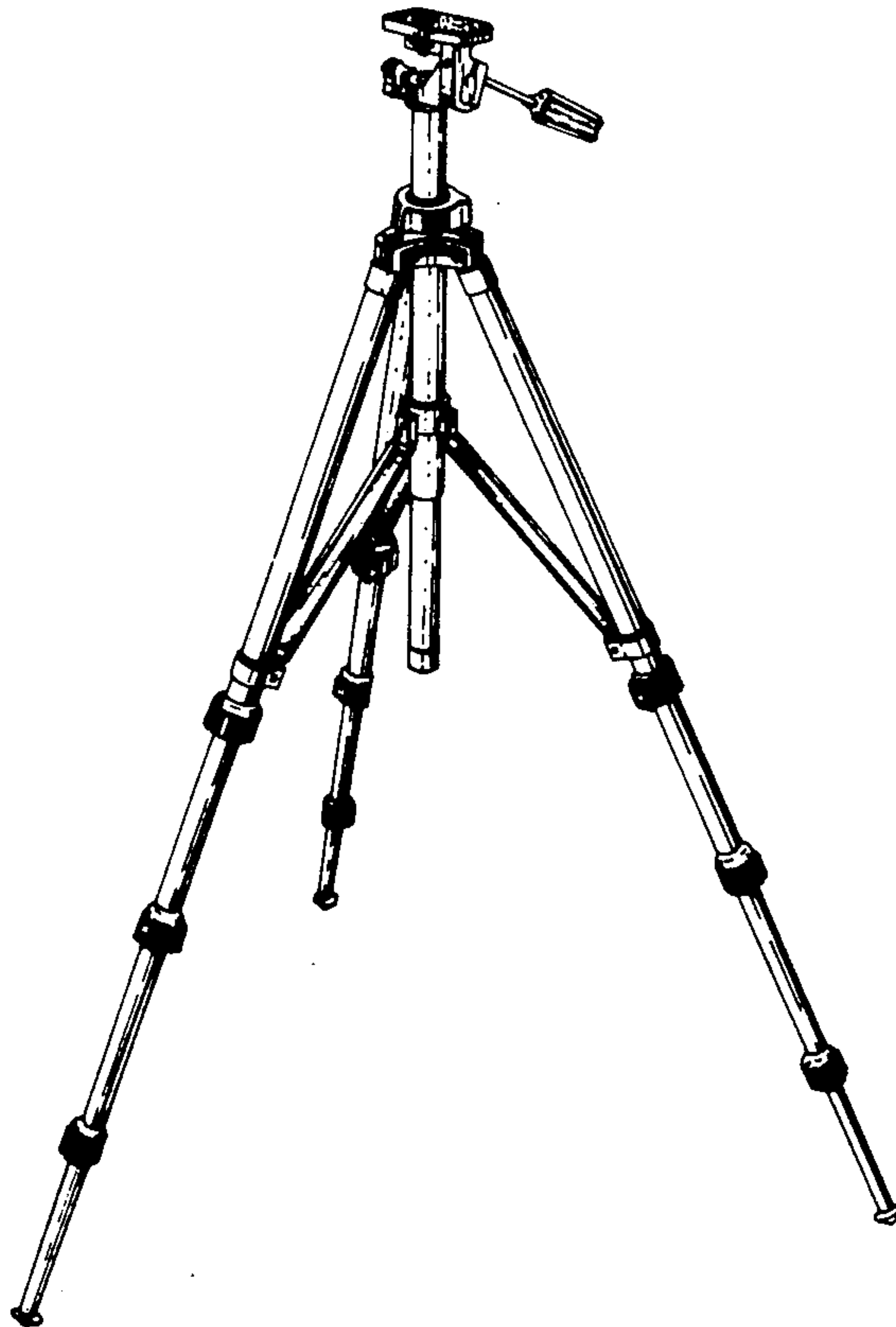
Primary Examiner—Catherine E. Kemper
Attorney, Agent, or Firm—Frishauf, Holtz, Goodman
and Woodward

[57] CLAIM

The ornamental design for camera tripod or the like,
substantially as shown and described.

DESCRIPTION

FIG. 1 is a perspective view of a camera tripod or the
like showing my new design, in which each leg is in
retracted position;
FIG. 2 is a perspective view thereof, in which each leg
is in extended position;
FIG. 3 is a rear view of the camera tripod in FIG. 1;
FIG. 4 is a bottom plan view of the camera tripod in
FIG. 1; and
FIG. 5 is a top plan view of the camera tripod in FIG.
1.



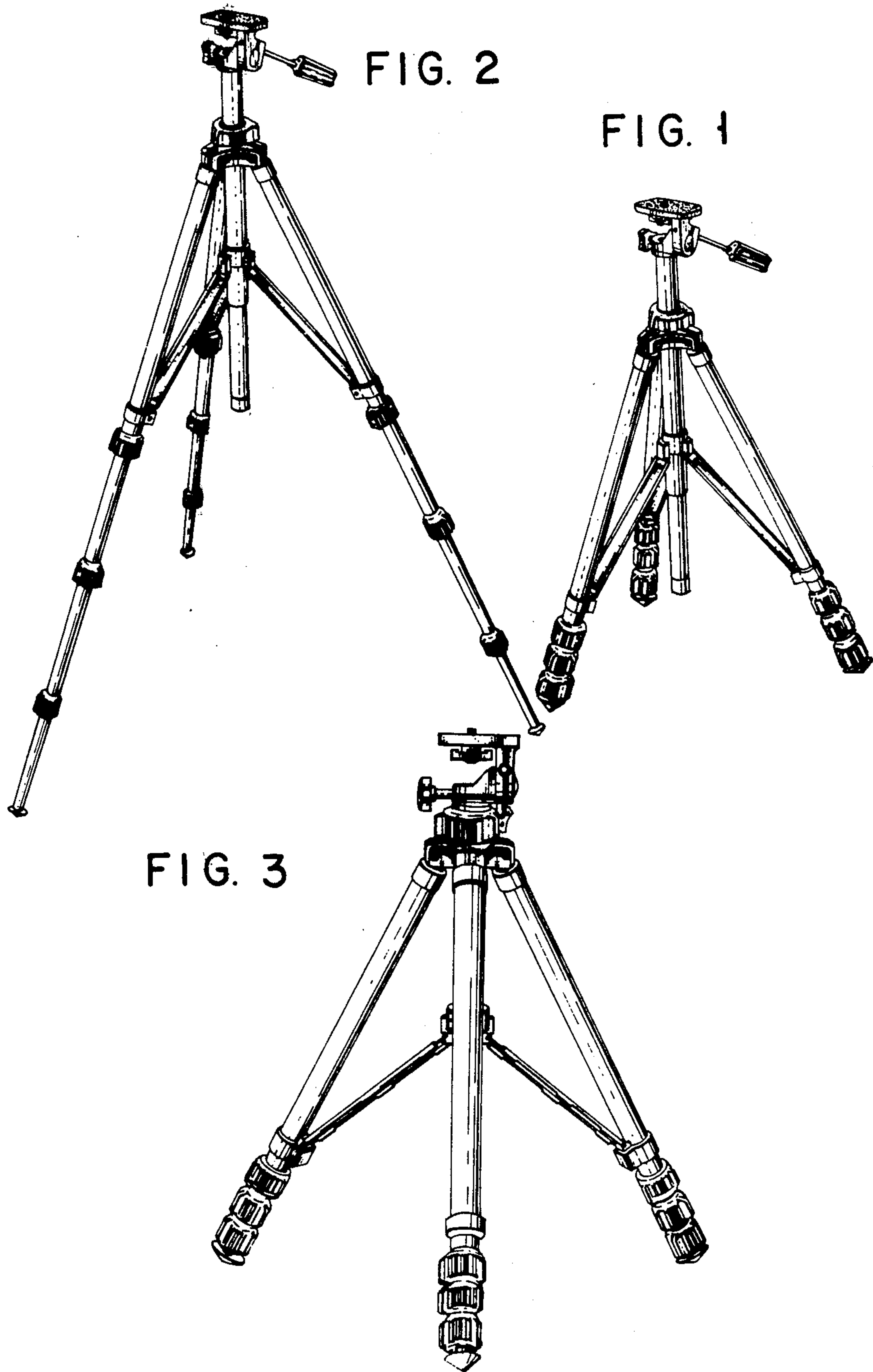


FIG. 2

FIG. 1

FIG. 3

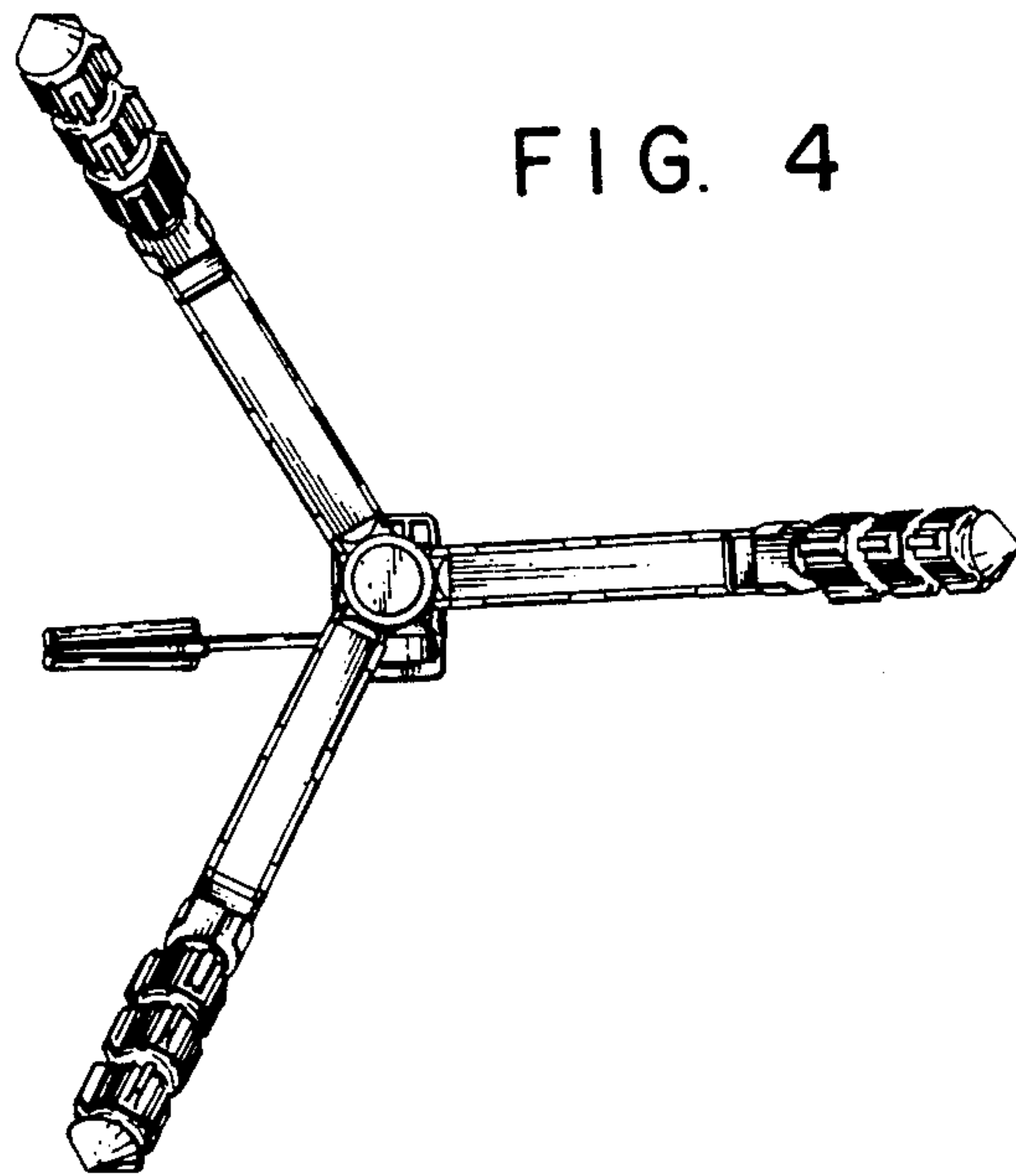


FIG. 4

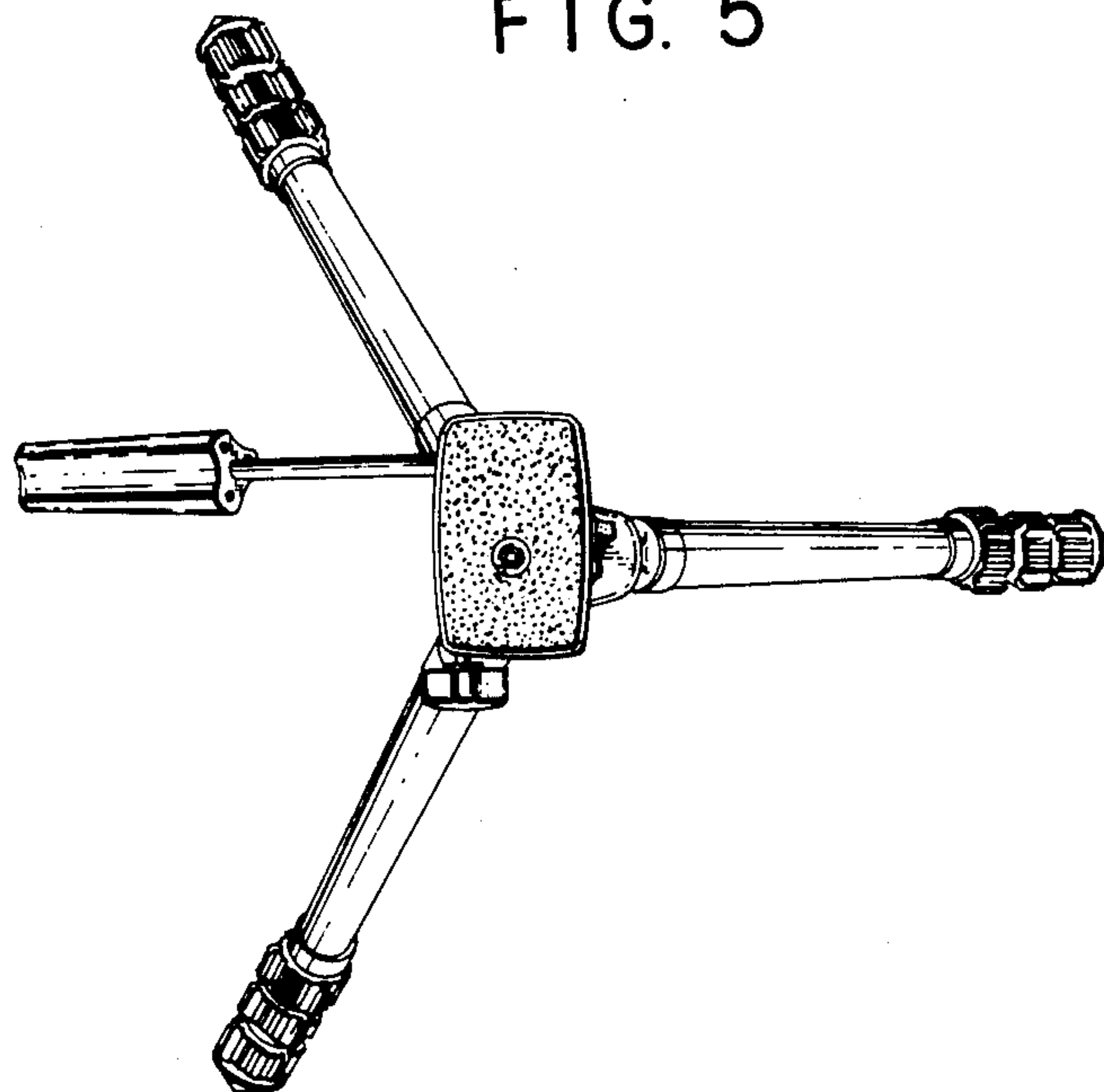


FIG. 5