

[54] **COMBINED LIQUID DISPENSING
CONTAINER AND CABINET**

[76] Inventor: **James B. Hill**, 1800 W. 33rd Ave.,
Denver, Colo. 80211

[**] Term: **14 Years**

[21] Appl. No.: **936,236**

[22] Filed: **Aug. 24, 1978**

[51] Int. Cl. **D15-08**

[52] U.S. Cl. **D15/112; D15/111;
D7/61**

[58] Field of Search **D15/111, 92, 113, 112;
D6/164, 167, 181, 186, 174; D7/61**

[56] **References Cited**

U.S. PATENT DOCUMENTS

D. 54,363 2/1920 Richardson et al. D15/112
D.57,095 2/1921 Richardson et al. D15/112

D. 101,724 10/1936 Worthington D15/111
D. 167,222 7/1952 Parcher D15/112

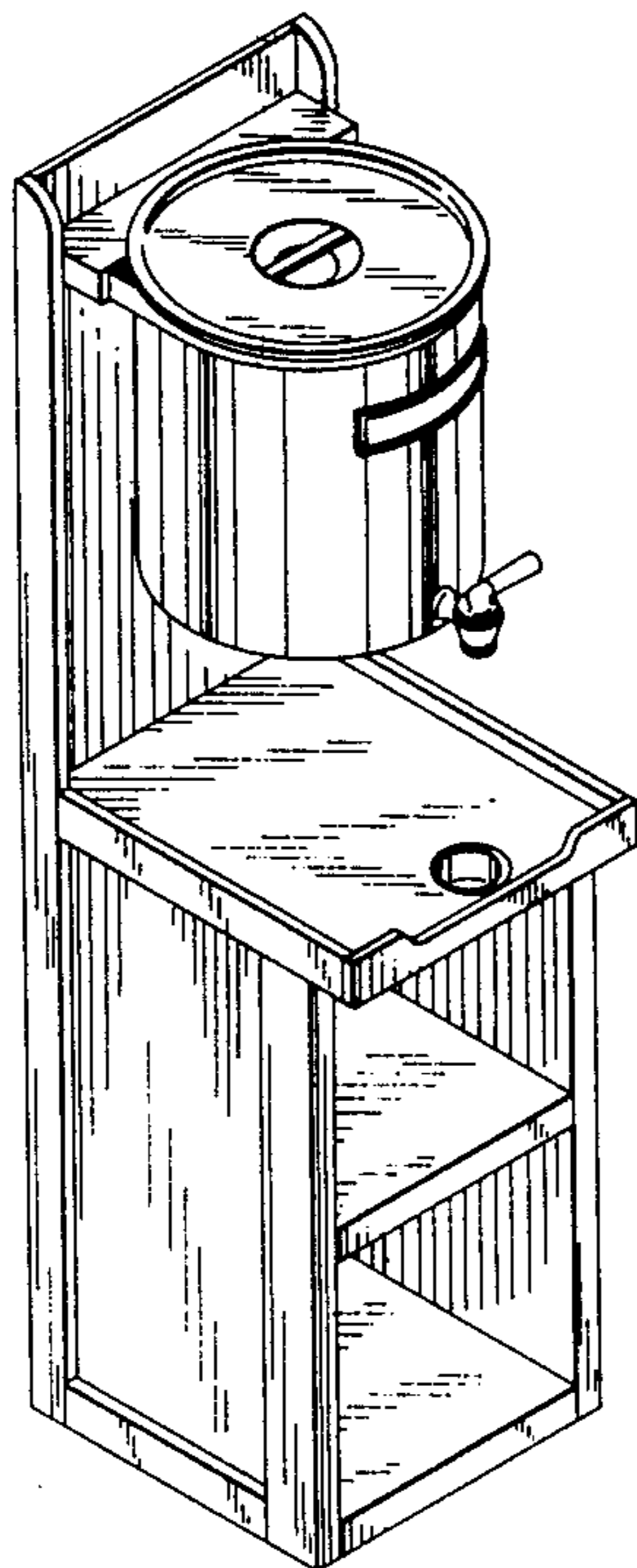
Primary Examiner—Donald B. Moyer
Attorney, Agent, or Firm—Richard D. Law

[57] **CLAIM**

The new and ornamental design for a combined liquid dispensing container and cabinet, substantially as shown and described.

DESCRIPTION

FIG. 1 is a perspective view of a combined liquid dispensing container and cabinet showing my new design, FIG. 2 is a front elevational view, FIG. 3 is a bottom plan view, FIG. 4 is a rear elevational view, FIG. 5 is a side elevational view, the opposite side being a mirror image thereof, FIG. 6 is a top plan view, and FIG. 7 is a reduced perspective of a modified embodiment thereof.



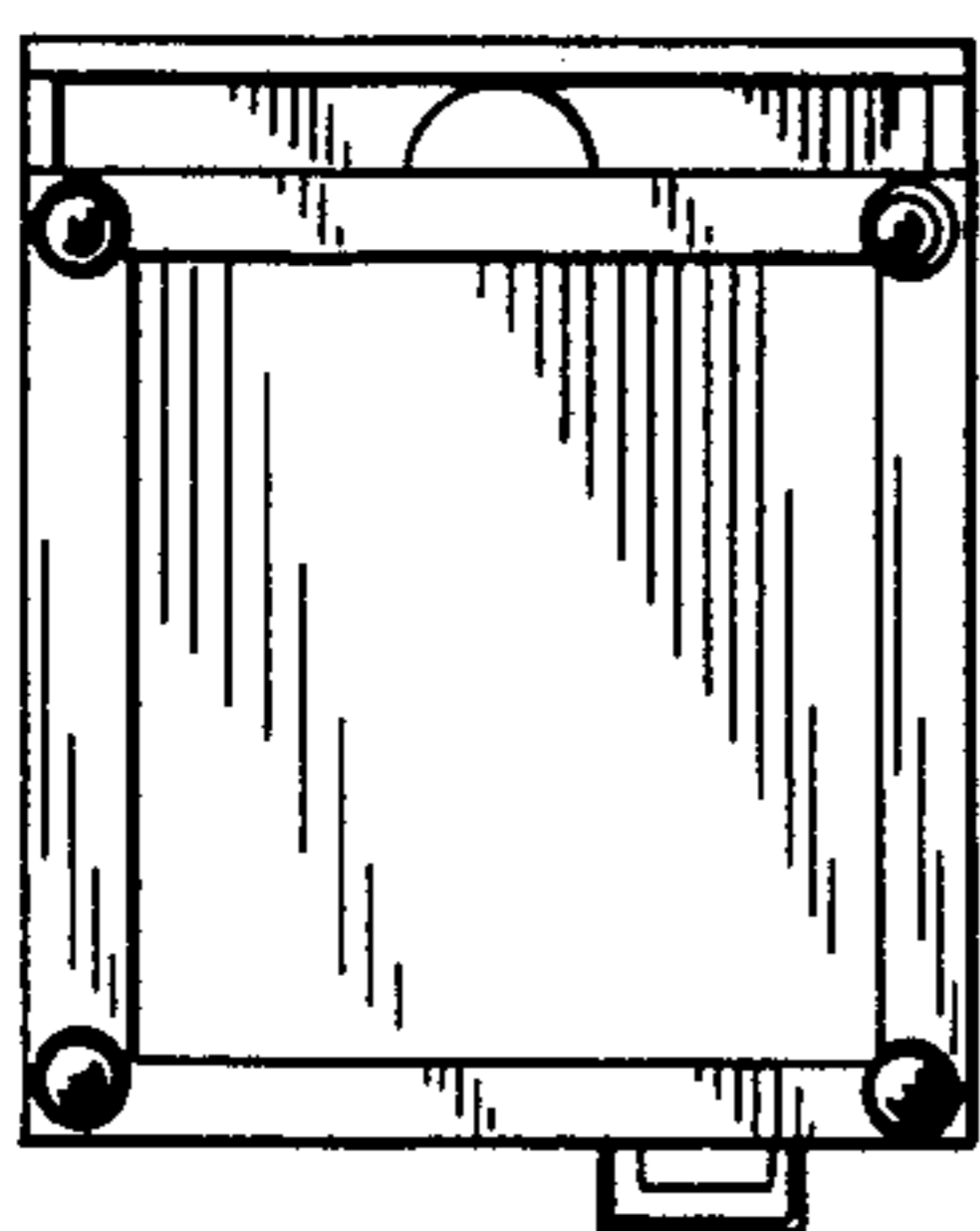
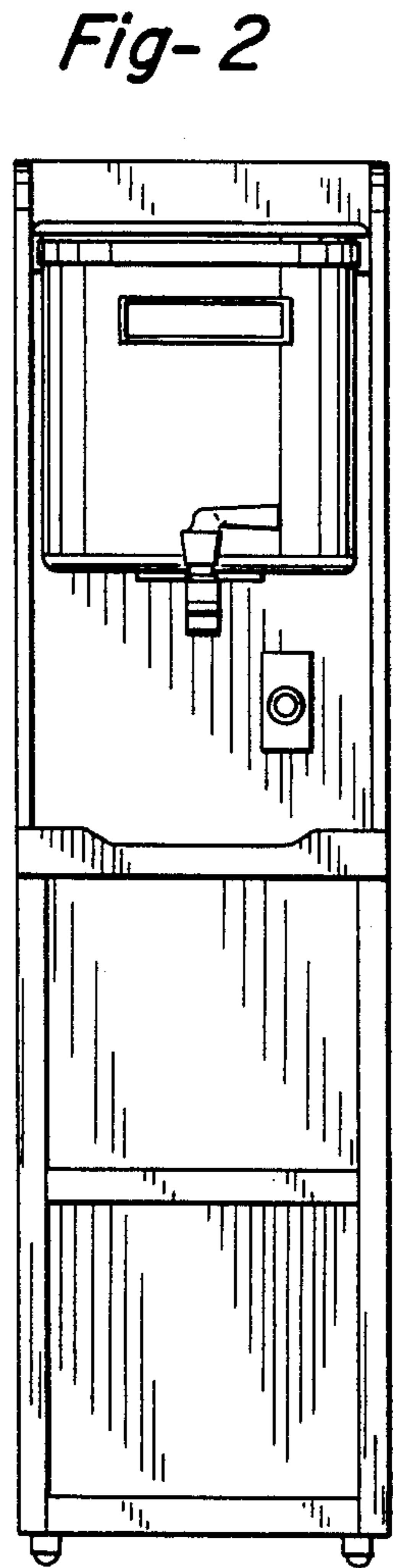
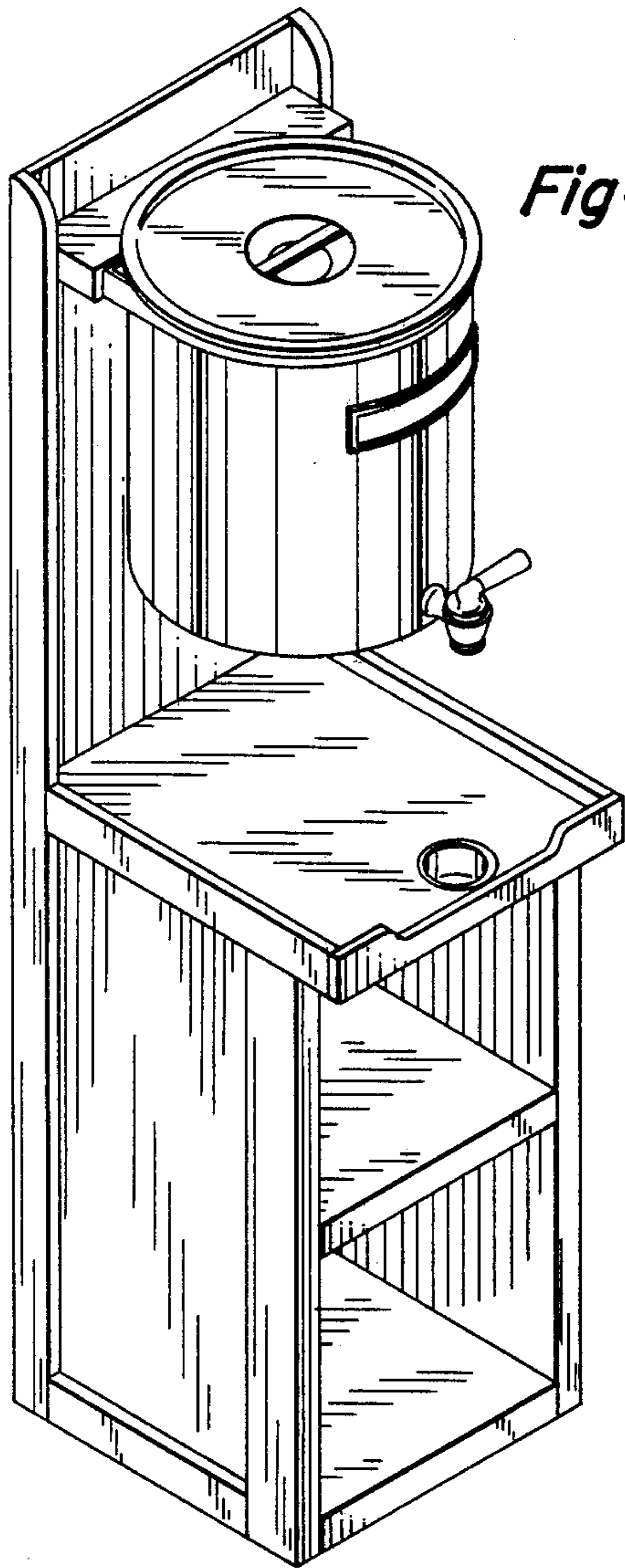


Fig-4

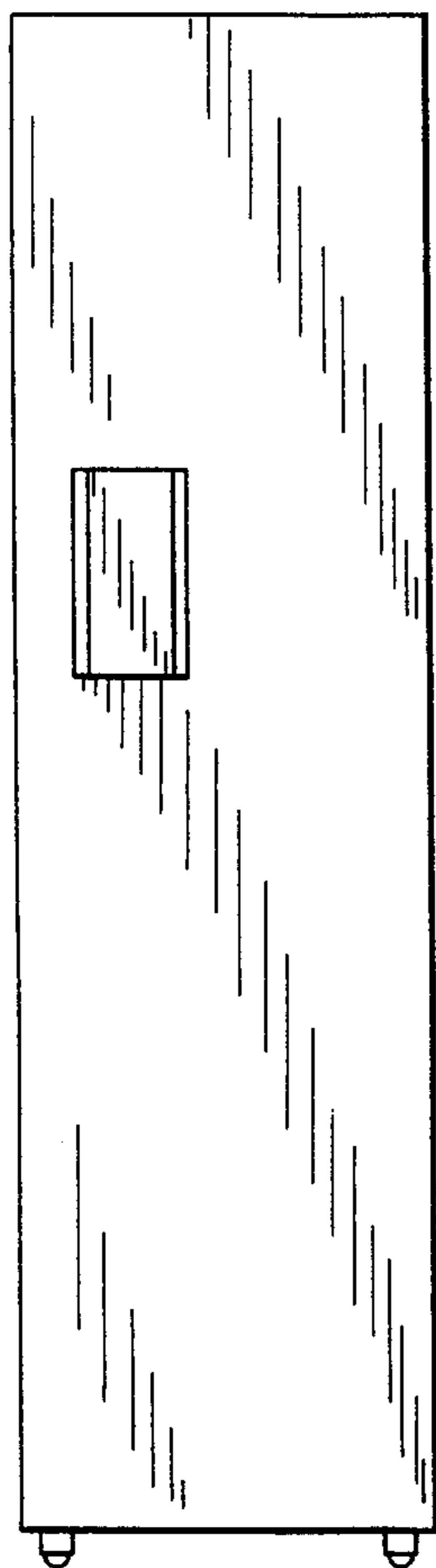


Fig-5

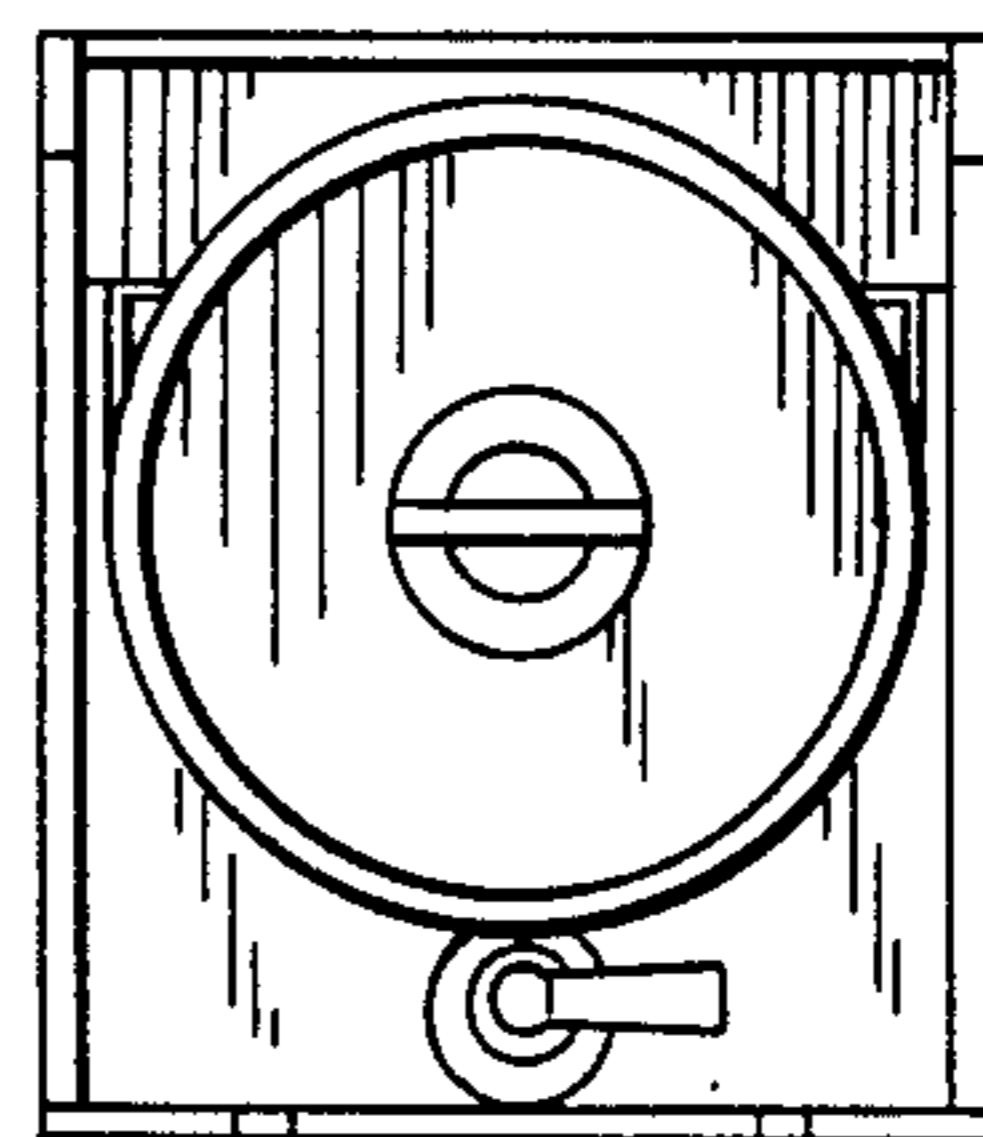
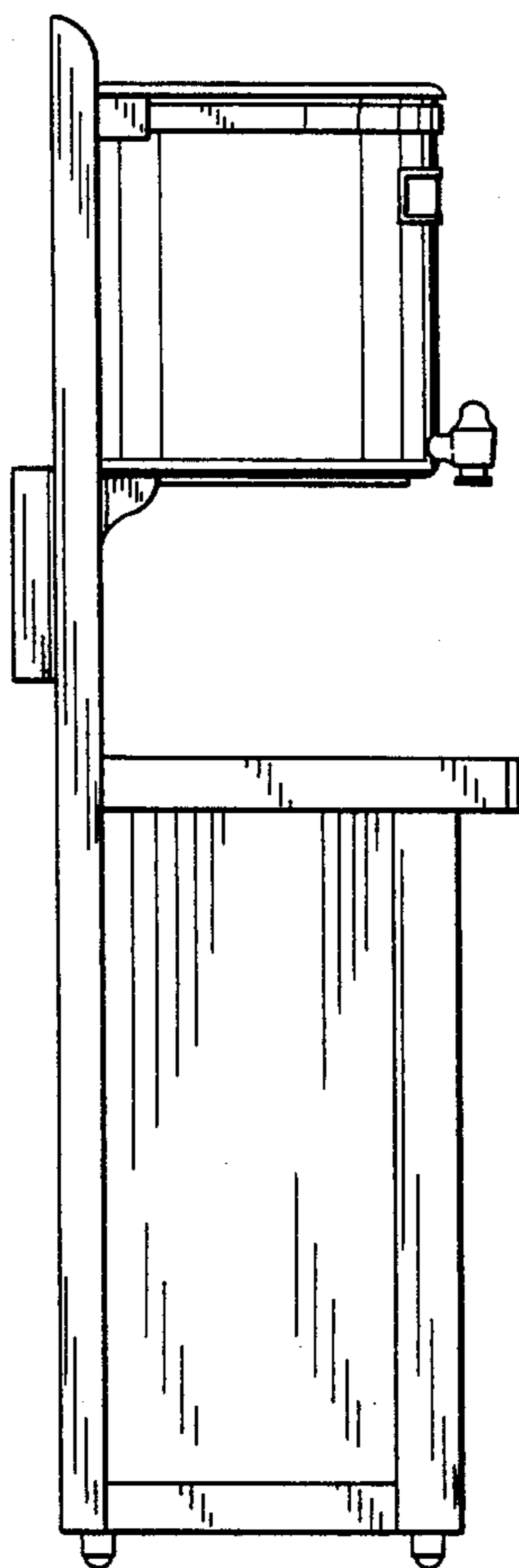


Fig-6

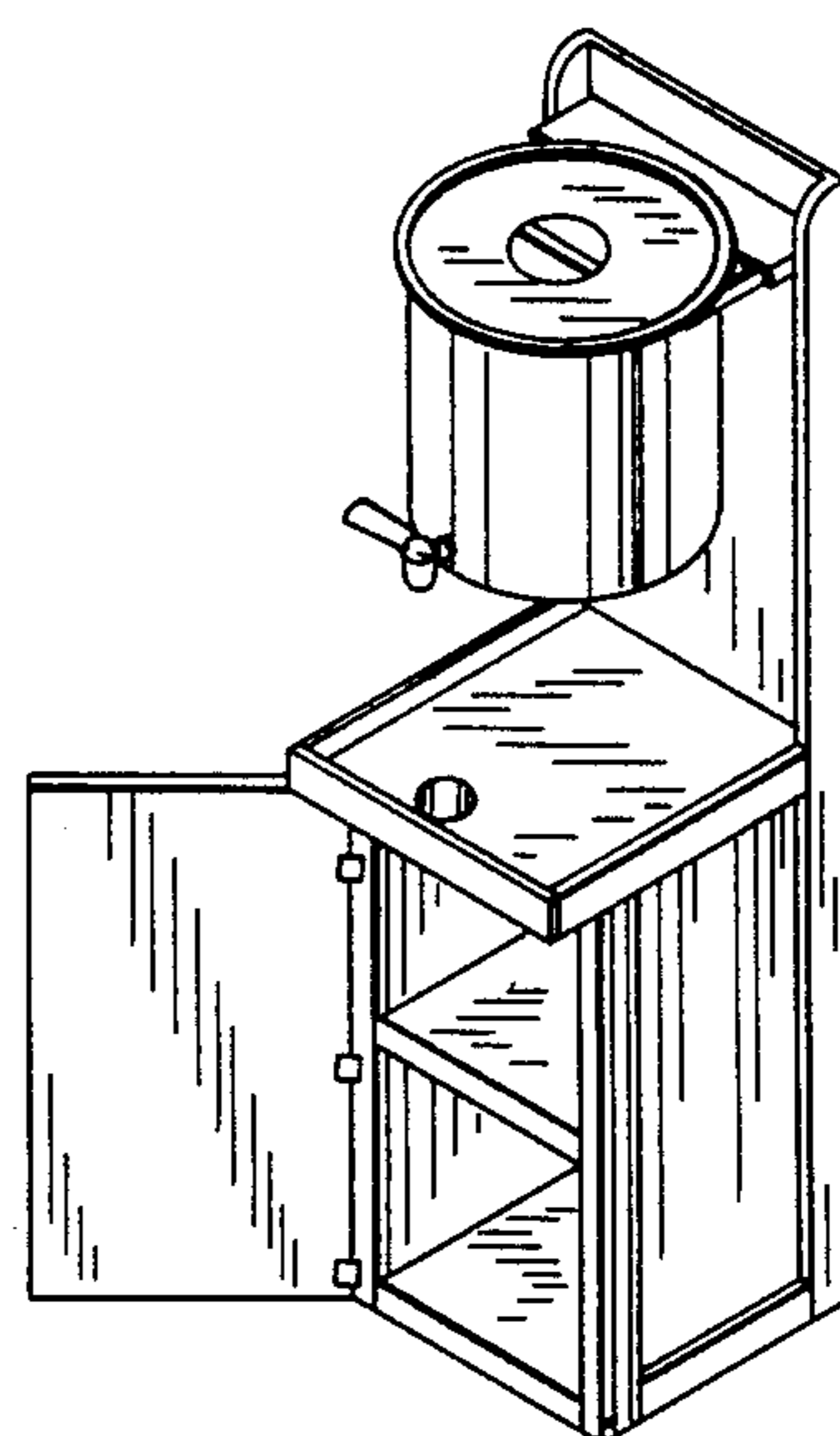


Fig-7