

[54] AGRICULTURAL ROLLER

[76] Inventor: Crister Stark, Box 19, 59021 Väderstad, Sweden

[**] Term: 14 Years

[21] Appl. No.: 857,735

[22] Filed: Dec. 5, 1977

[51] Int. Cl. D15-03

[52] U.S. Cl. D15/27

[58] Field of Search D15/27, 11; 172/311, 172/456, 583

[56] References Cited

U.S. PATENT DOCUMENTS

3,831,685 8/1974 Birkenbach 172/583

OTHER PUBLICATIONS

Implement & Tractor, 2/7/75, P7, Pulvi-Mulcher Assembly, center of page.

Primary Examiner—James M. Gandy
Attorney, Agent, or Firm—Neil F. Markva

[57] CLAIM

The ornamental design for an agricultural roller, as shown and described.

DESCRIPTION

FIG. 1 is a perspective view of an agricultural roller showing my new design;
FIG. 2 is an enlarged top plan view thereof;
FIG. 3 is a greatly enlarged front elevational view thereof in its raised, non-working condition;
FIG. 4 is a rear elevational view of FIG. 3;
FIG. 5 is a side elevational view of FIG. 3 on a slightly reduced scale, it being understood that the opposite side is substantially a mirror image thereof.

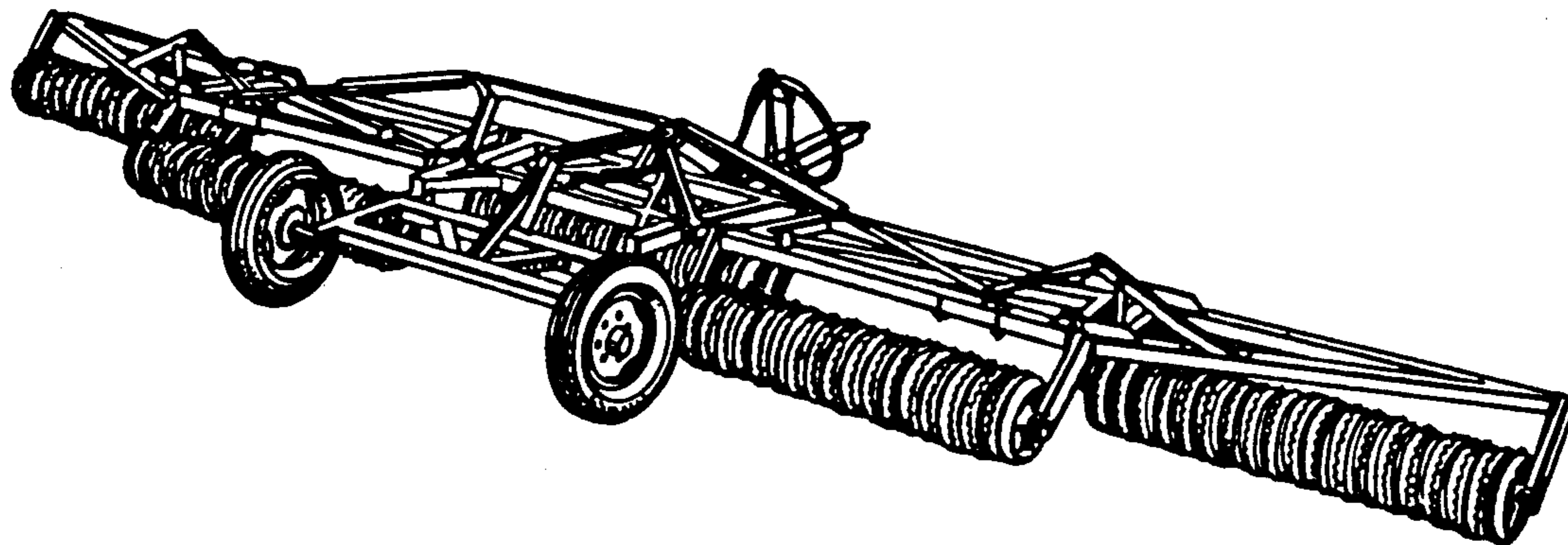


FIG. 1

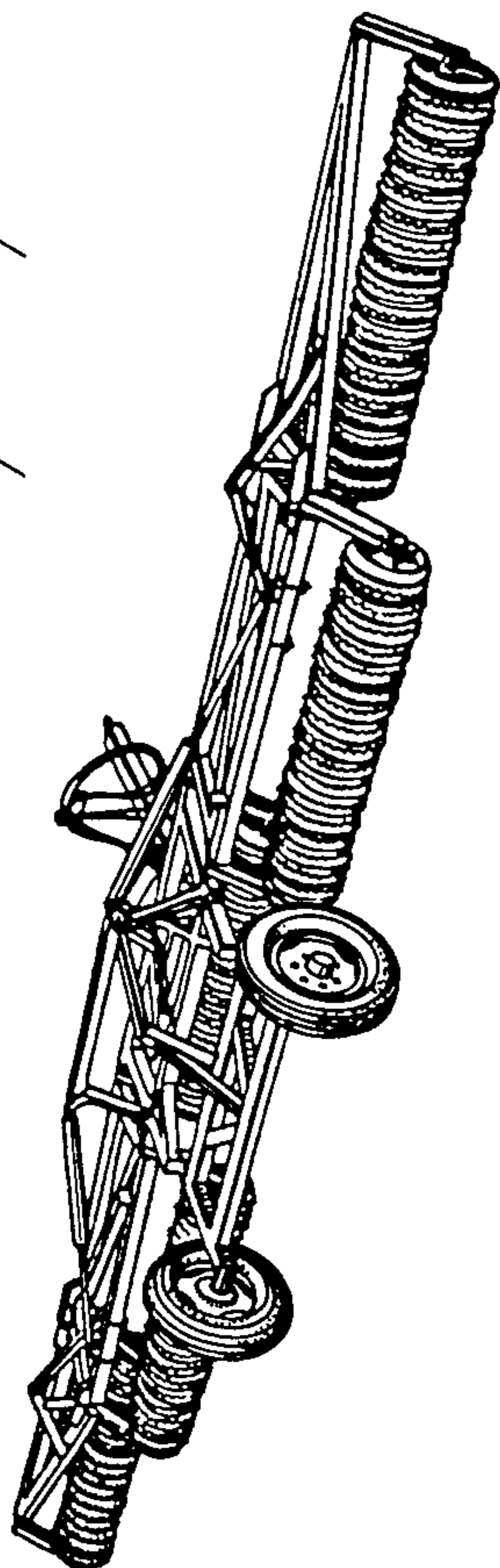


FIG. 2

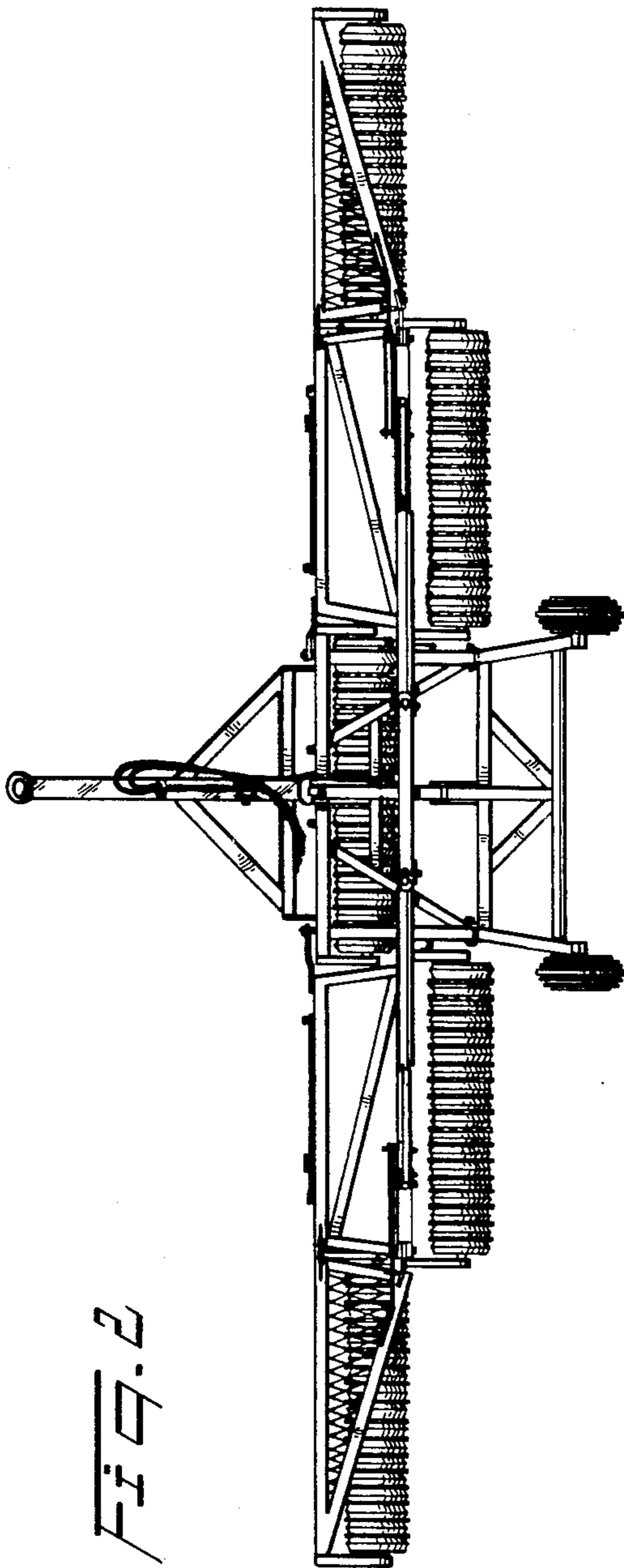


FIG. 3

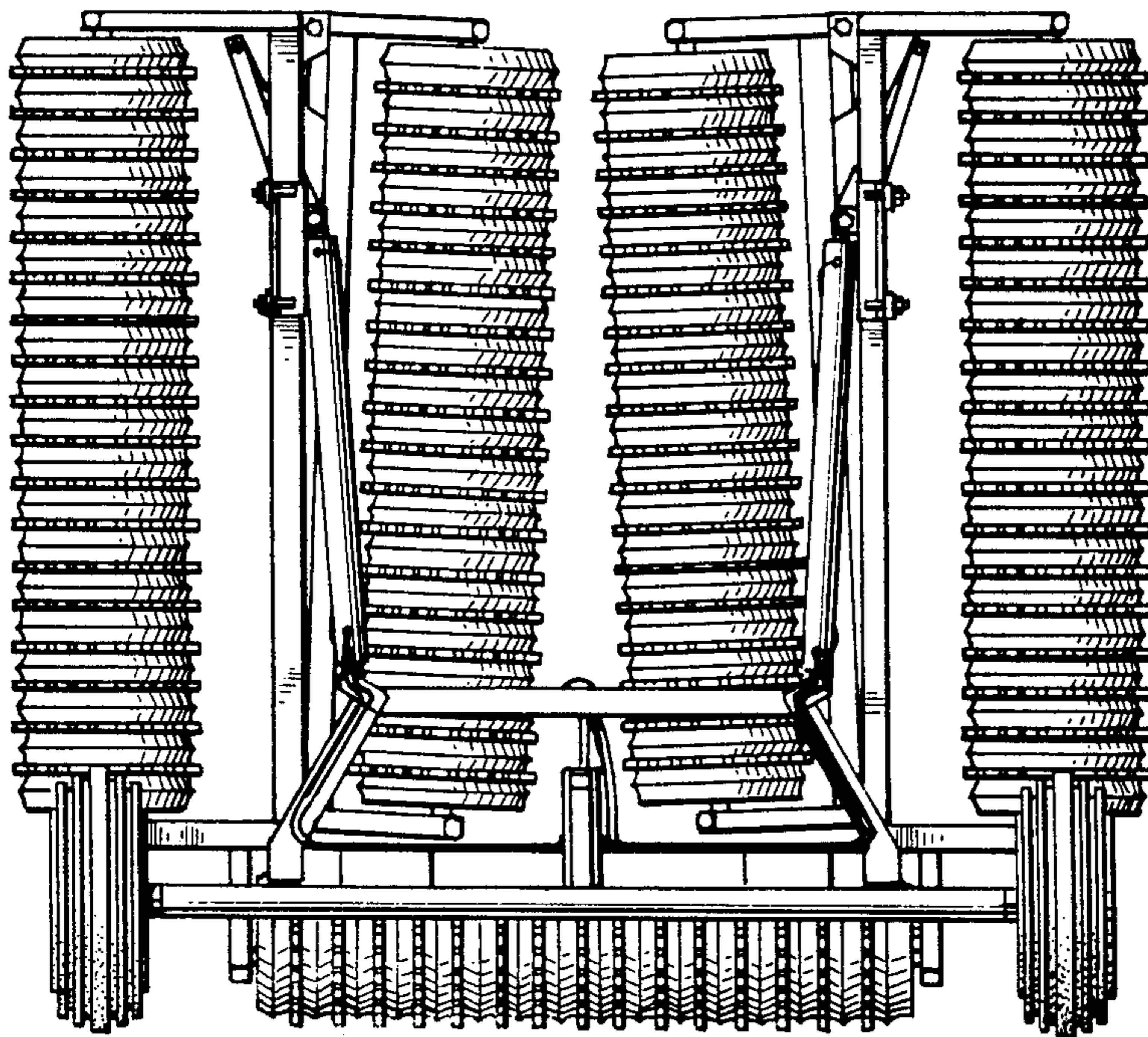
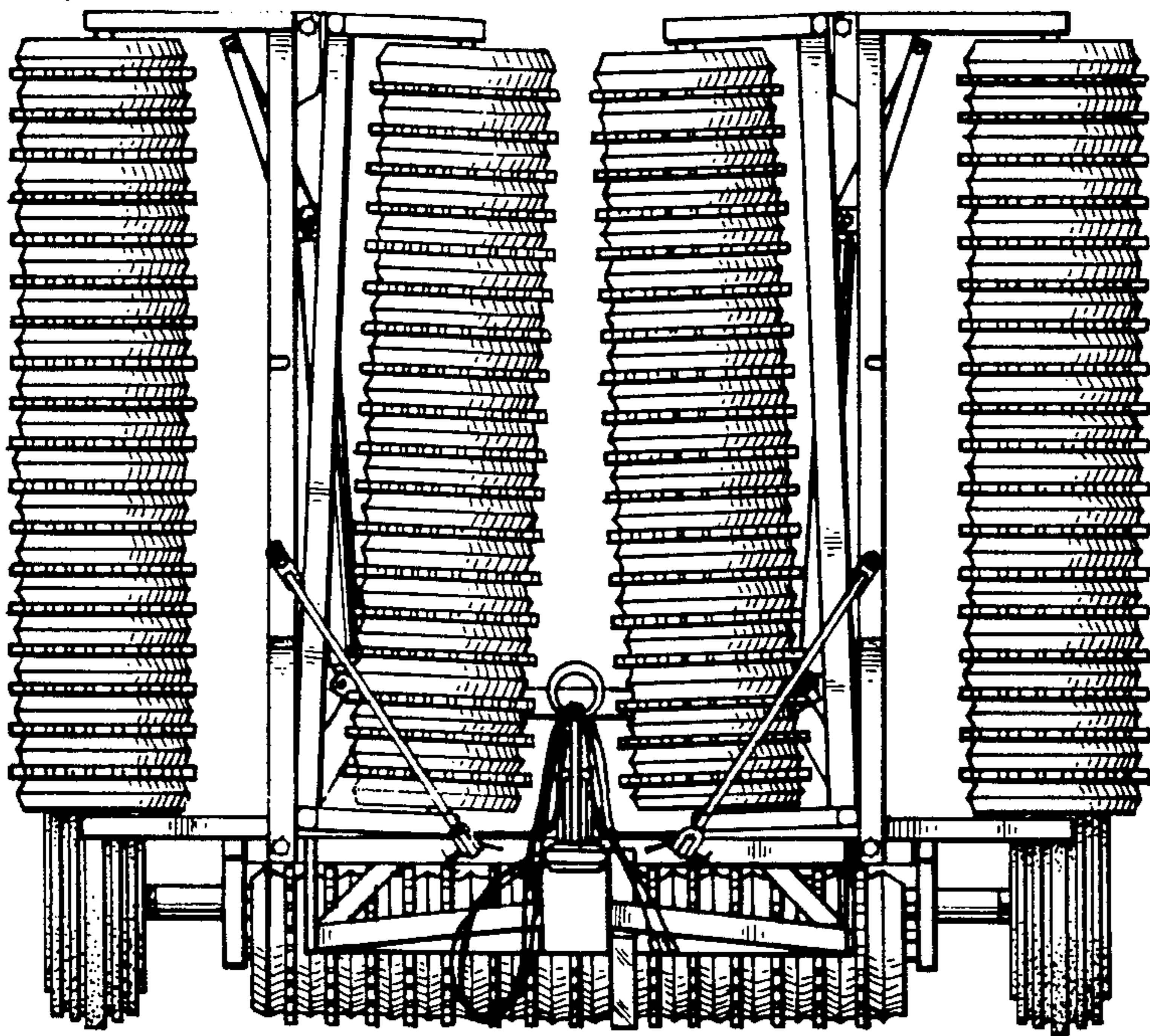


FIG. 4

Fig. 3

