

[54] AIRPLANE

[75] Inventors: Murray A. Booth, Redmond; Everett L. Webb, Renton; Bill Williams, Seattle, all of Wash.

[73] Assignee: The Boeing Company, Seattle, Wash.

[**] Term: 14 Years

[21] Appl. No.: 829,308

[22] Filed: Aug. 31, 1977

[51] Int. Cl. D12-07

[52] U.S. Cl. D12/80

[58] Field of Search D12/80; 244/15, 45 R, 244/55; 46/76 R, 76 A

[56] References Cited

U.S. PATENT DOCUMENTS

D. 212,918 12/1968 Davis et al. D12/80
D. 231,605 5/1974 Frajola et al. D12/80

Primary Examiner—Sam Rosen

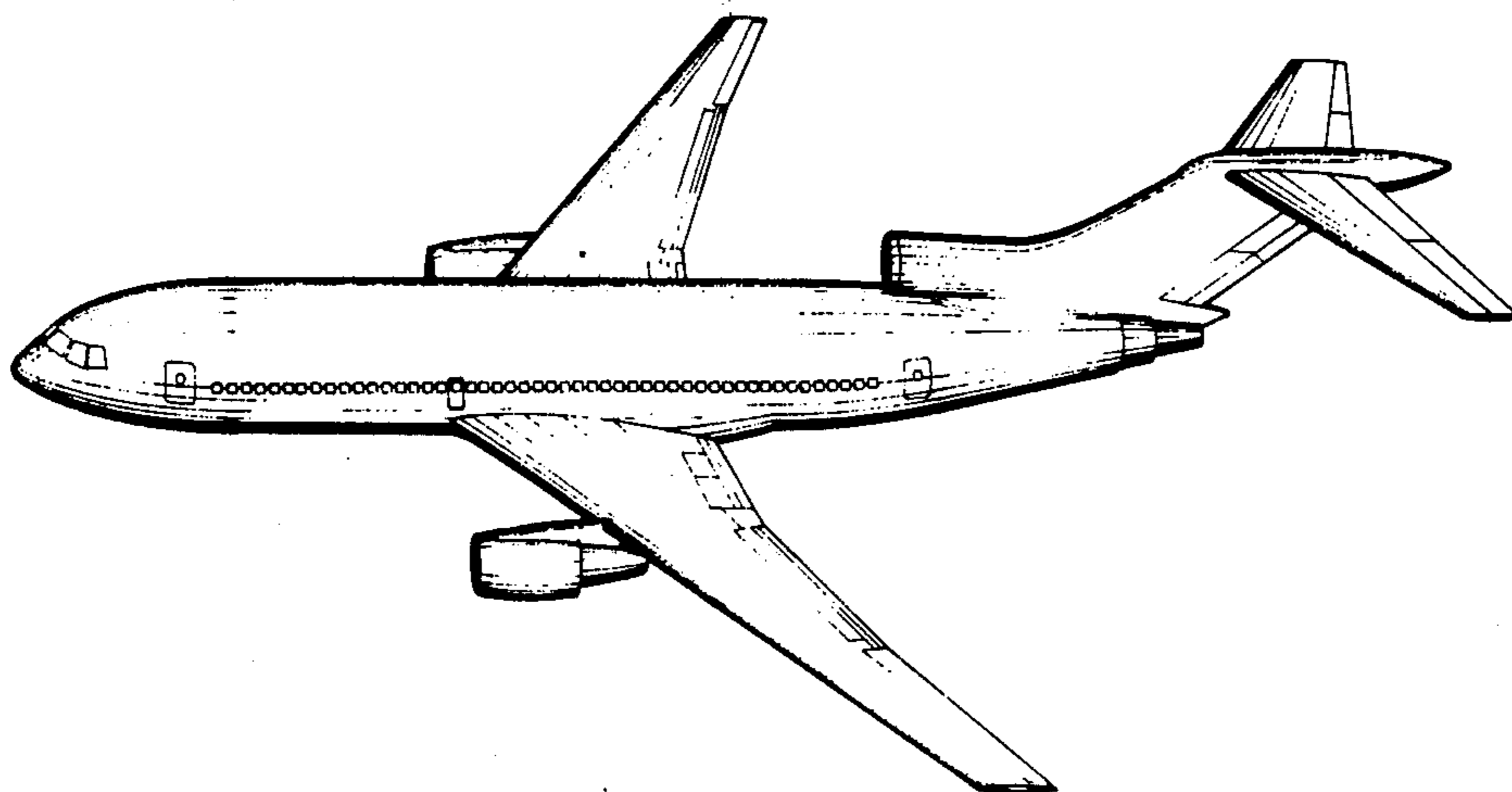
Attorney, Agent, or Firm—Ronald E. Suter; Bernard A. Donahue

[57] CLAIM

The ornamental design for an airplane, as shown and described.

DESCRIPTION

FIG. 1 is an upper side perspective view of an airplane depicting our new design; FIG. 2 is a side elevational view thereof; FIG. 3 is a front elevational view thereof; and FIG. 4 is a top plan view thereof.



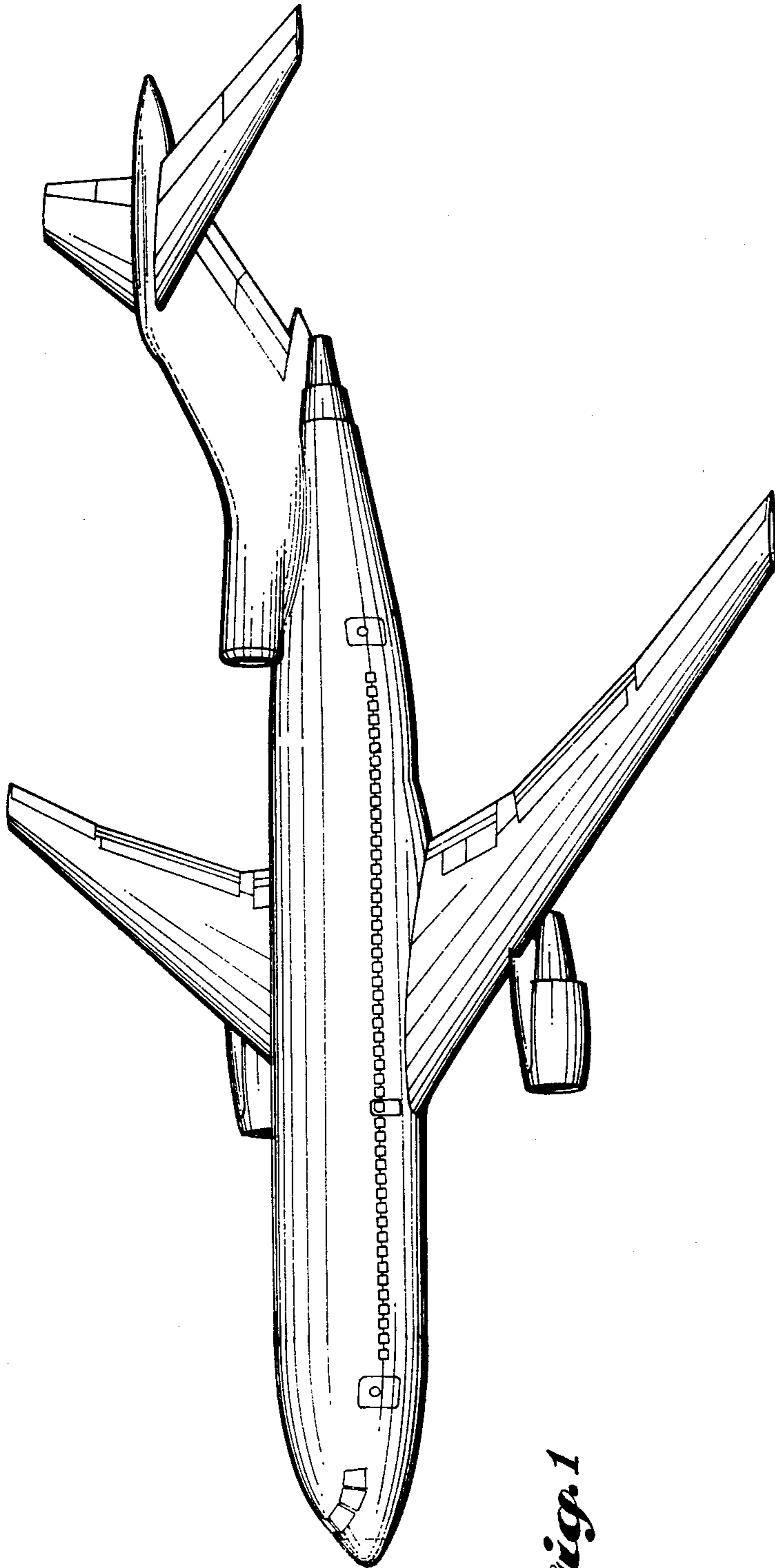


Fig. 1

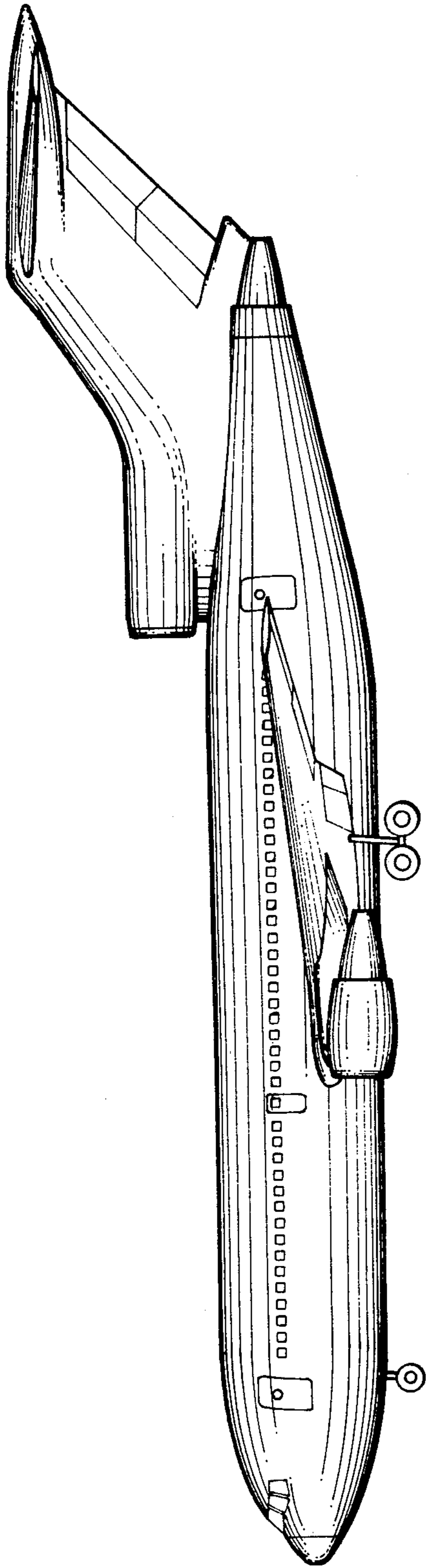


Fig. 2

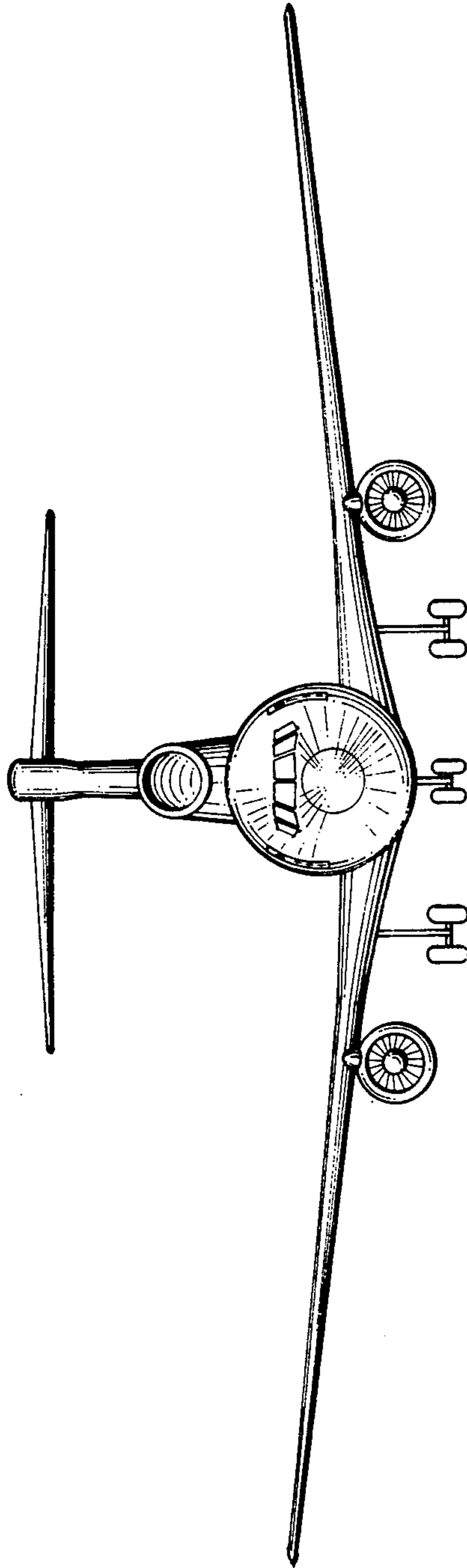


Fig. 3

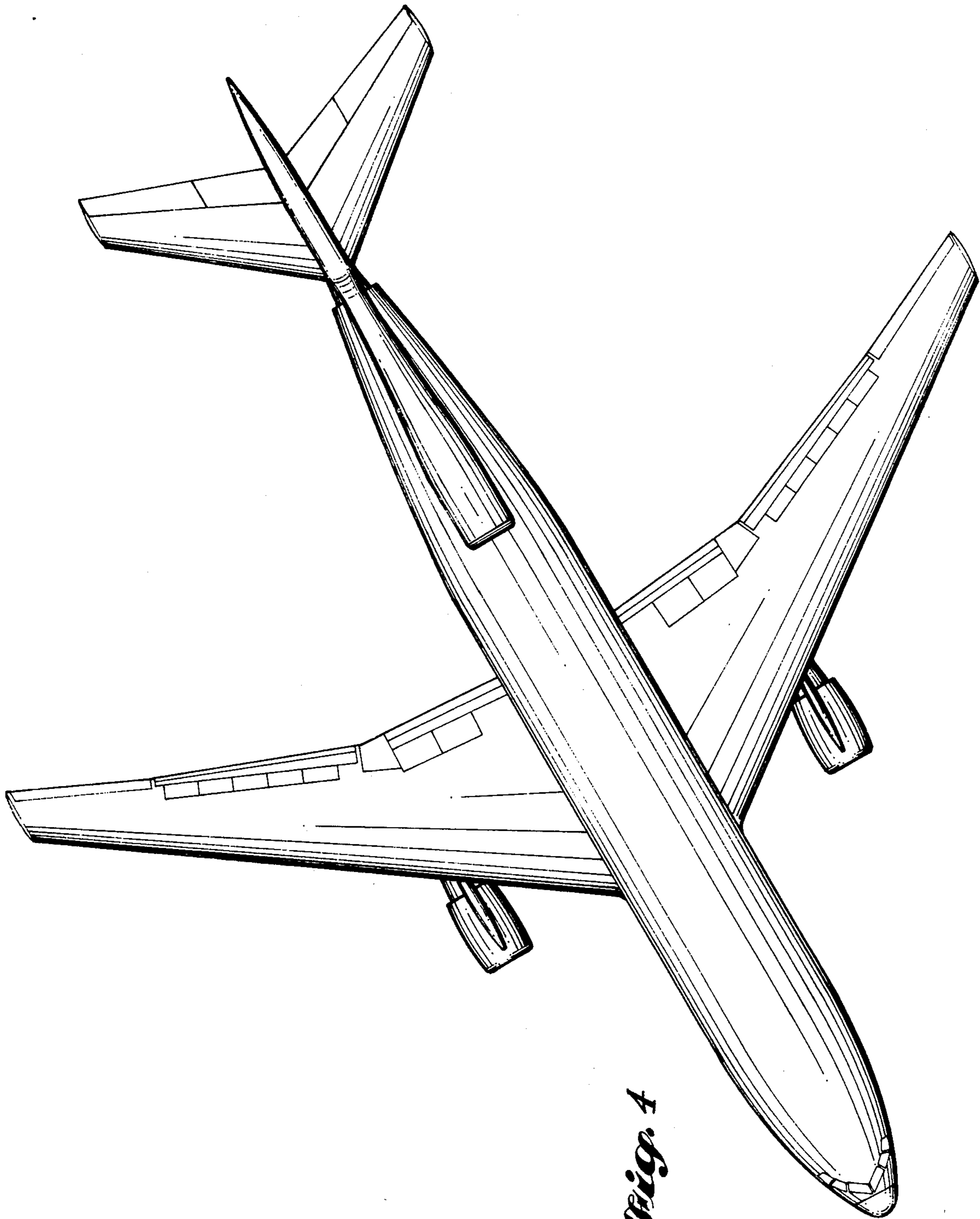


Fig. 4