

[54] AIRPLANE

[75] Inventors: John F. Brown, Jr.; Boyce D. Jackson, both of Bellevue, Wash.

[73] Assignee: The Boeing Company, Seattle, Wash.

[\*\*] Term: 14 Years

[21] Appl. No.: 825,900

[22] Filed: Aug. 19, 1977

[51] Int. Cl. .... 12-07  
[52] U.S. Cl. .... D12/80  
[58] Field of Search ..... D12/80; 244/119

[56] References Cited

U.S. PATENT DOCUMENTS

D. 214,597	7/1969	Cathers et al. ....	D12/80
D. 232,926	9/1974	Rellis .....	D12/80
D. 232,927	9/1974	Blattner et al. ....	D12/80

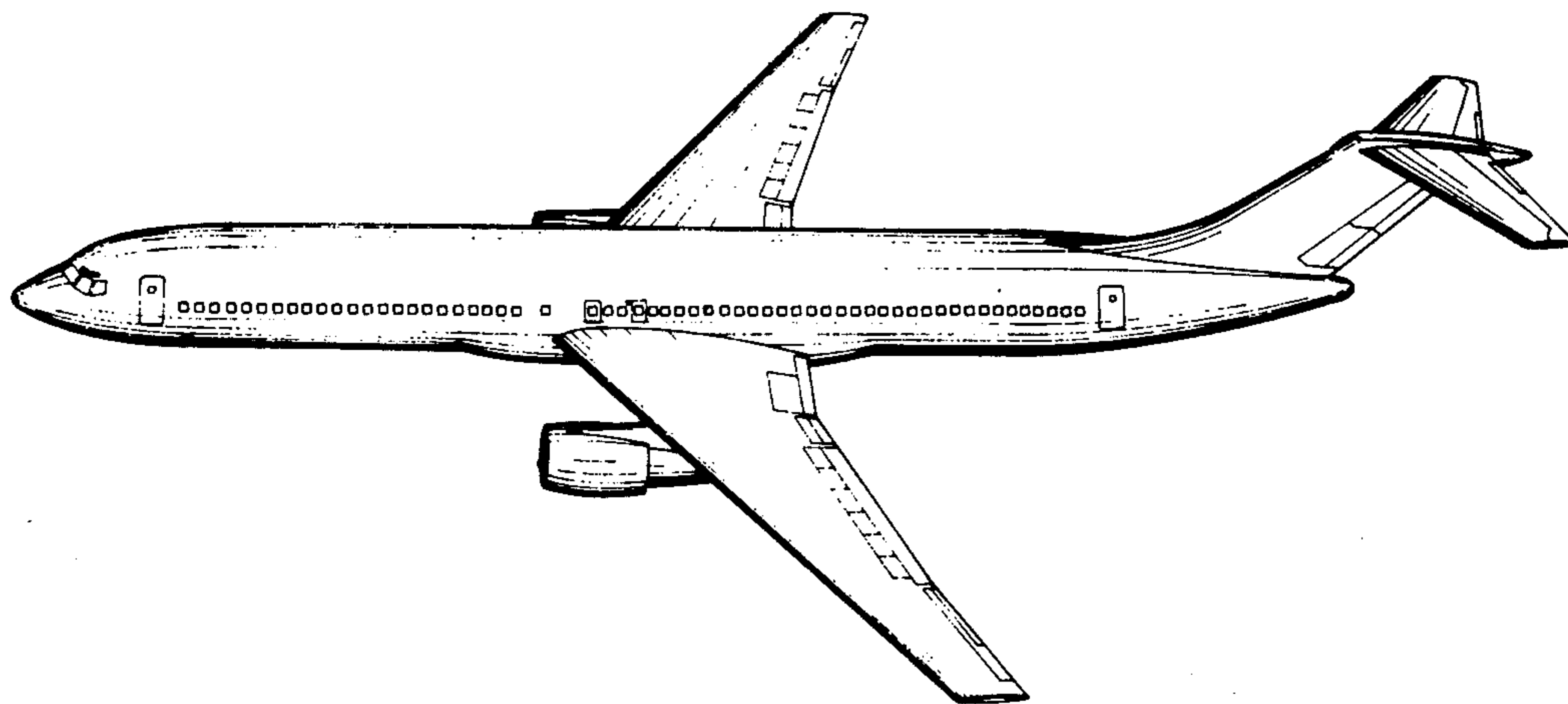
Primary Examiner—Sam Rosen  
Attorney, Agent, or Firm—Ronald E. Suter; Bernard A. Donahue

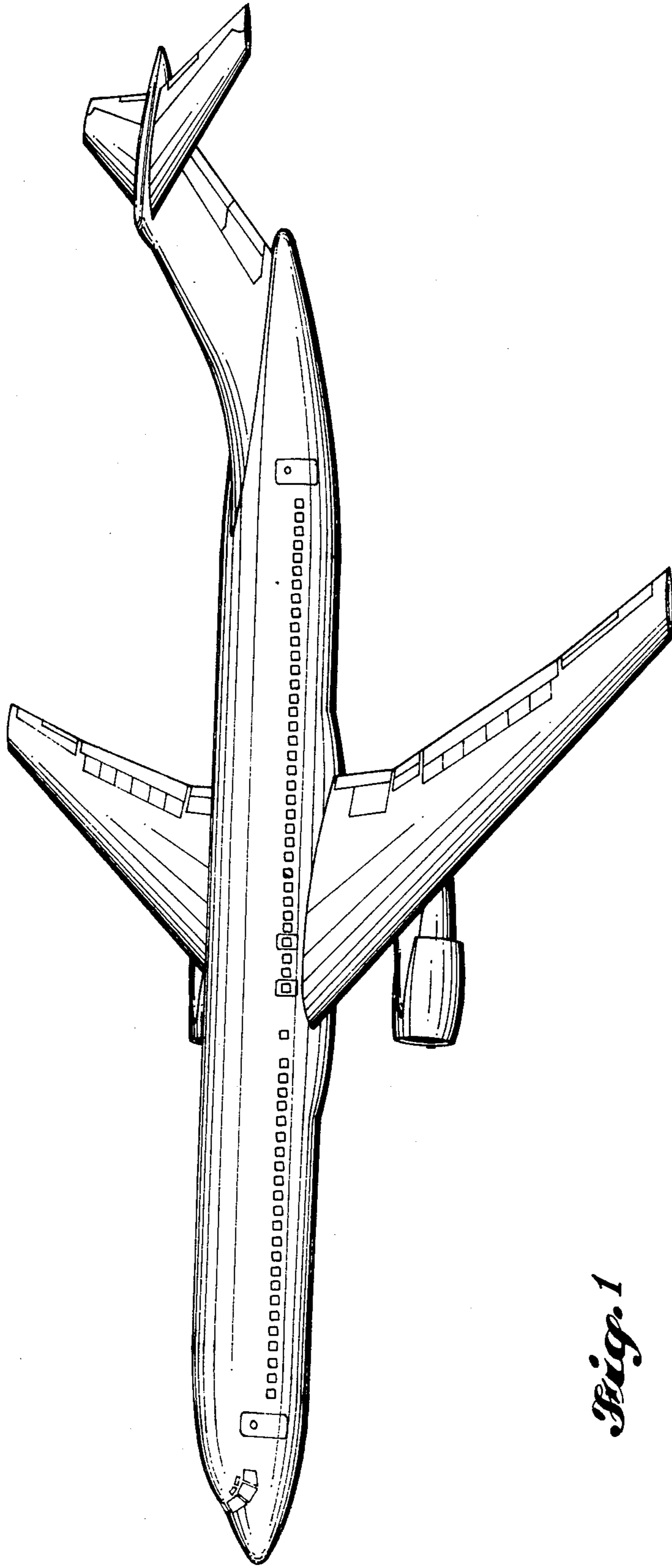
[57] CLAIM

The ornamental design for an airplane, as shown and described.

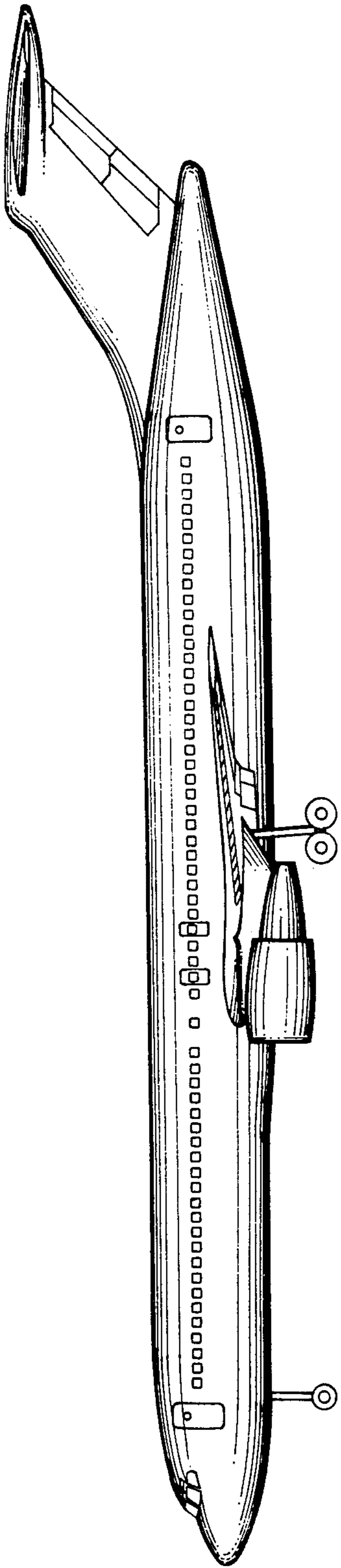
DESCRIPTION

FIG. 1 is an upper side perspective view of an aircraft depicting our new design;  
FIG. 2 is a side elevational view thereof;  
FIG. 3 is a front elevational view thereof; and  
FIG. 4 is a top plan view thereof.

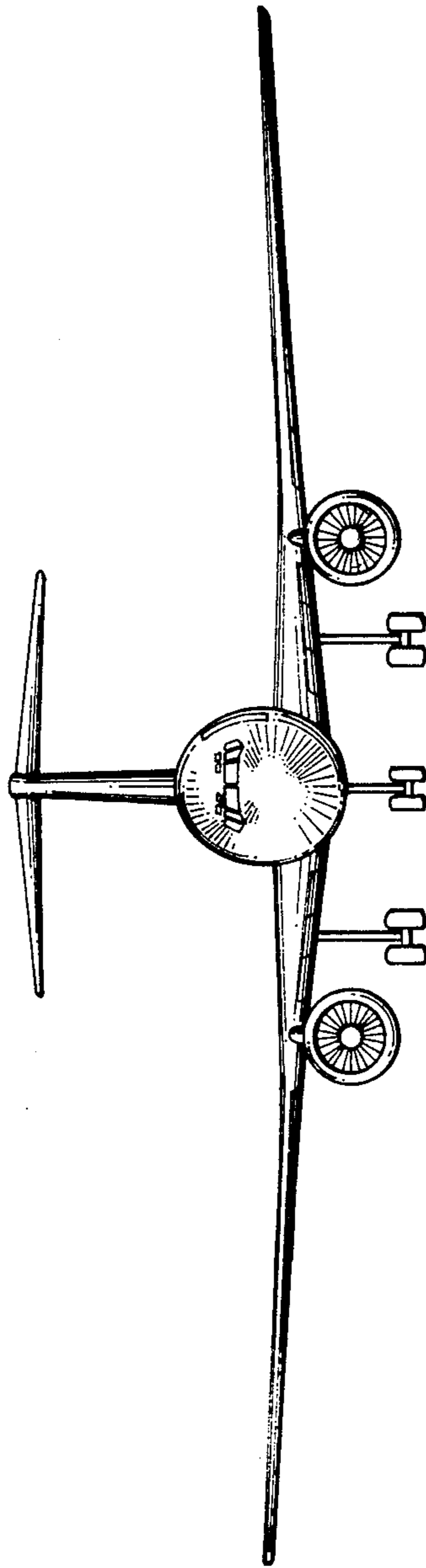




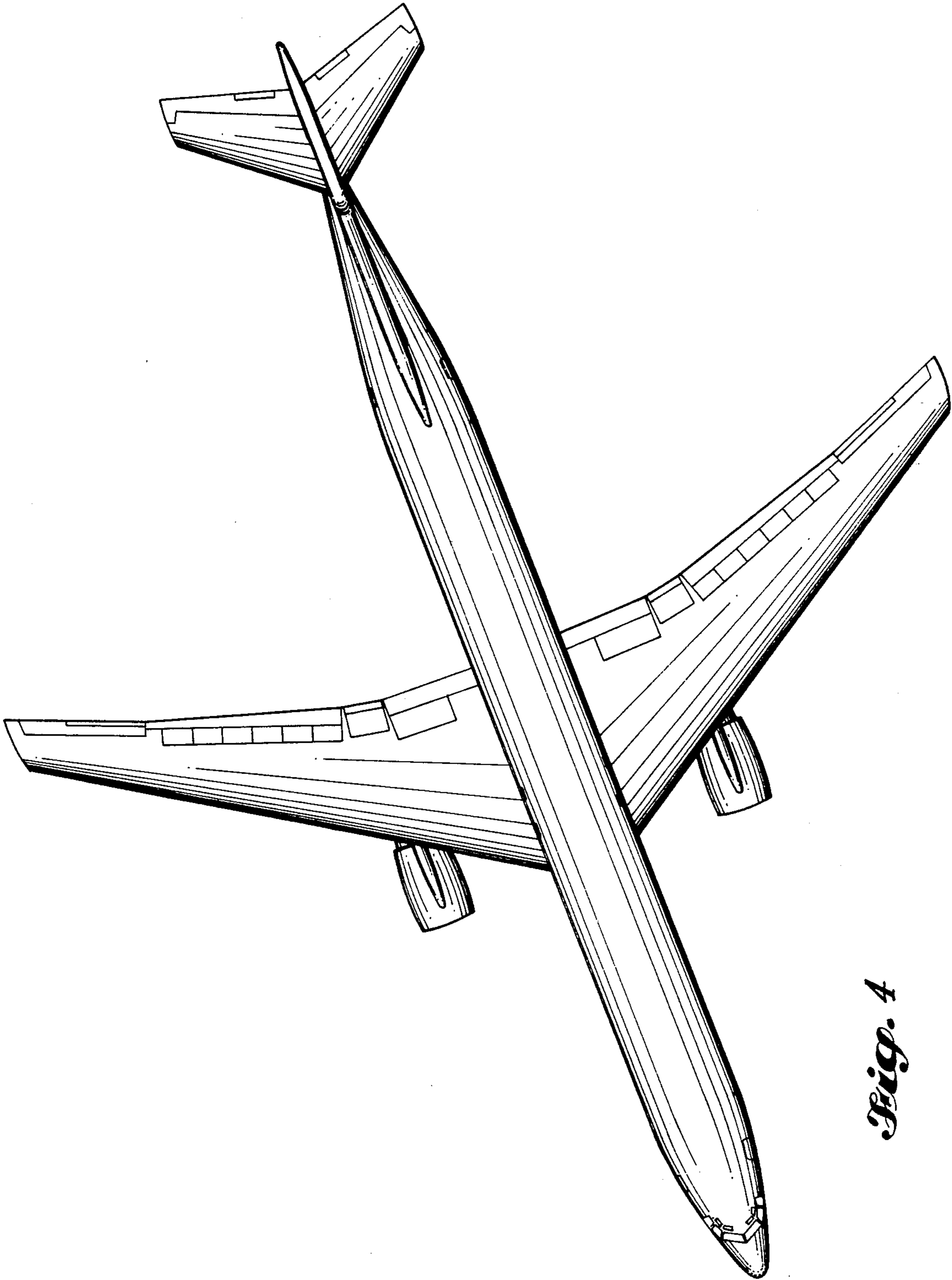
*Fig. 1*



*Fig. 2*



*Fig. 3*



*Fig. 4*