

[54] COMBINED RAIN AND WIND GAUGE

2,384,954	9/1945	Moore	73/171
2,491,176	12/1949	Hammond	73/189
2,935,872	5/1960	Misner	73/171 X
3,119,261	1/1964	Bonanno	73/189
3,826,135	7/1974	Hollmann	73/171

[76] Inventor: Jack D. Hefling, Rte. #1, Mount Hope, Kans. 67107

[\*\*] Term: 14 Years

[21] Appl. No.: 2,789

[22] Filed: Jan. 11, 1979

[51] Int. Cl. .... D10-04

[52] U.S. Cl. .... D10/53; D10/59; D10/101

[58] Field of Search ..... D10/53, 56, 59, 60, D10/96, 101; 73/188, 189, 171

[56] References Cited

U.S. PATENT DOCUMENTS

D. 187,551 3/1960 Misner ..... D10/53

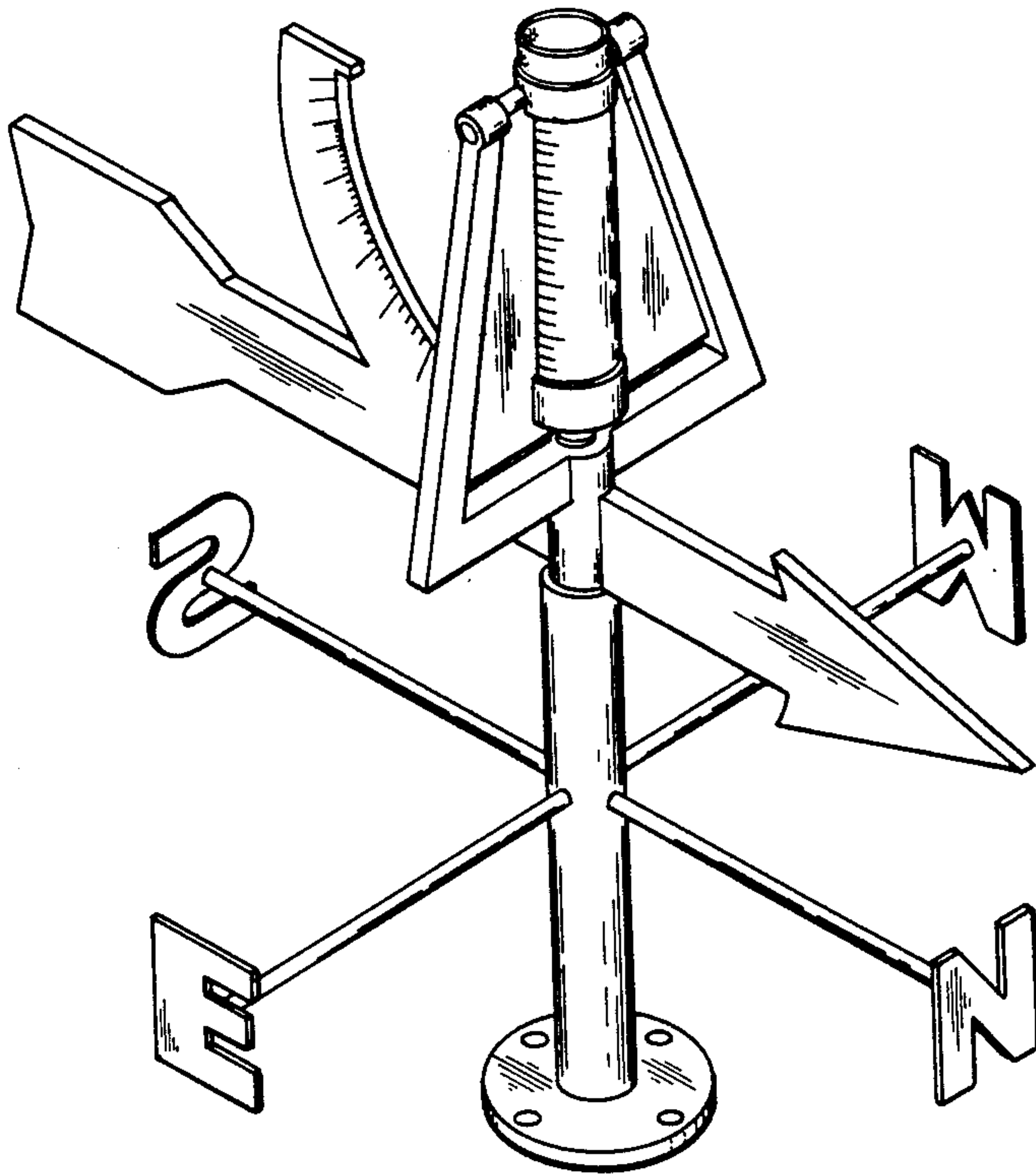
Primary Examiner—Nelson C. Holtje  
Attorney, Agent, or Firm—Edward L. Brown, Jr.

[57] CLAIM

The ornamental design for a combined rain and wind gauge, as shown and described.

DESCRIPTION

FIG. 1 is a left front perspective view of a combined rain and wind gauge, showing my new design; FIG. 2 is a left side elevational view thereof; FIG. 3 is a rear elevational view thereof; FIG. 4 is a top plan view thereof; and FIG. 5 is a bottom plan view thereof.



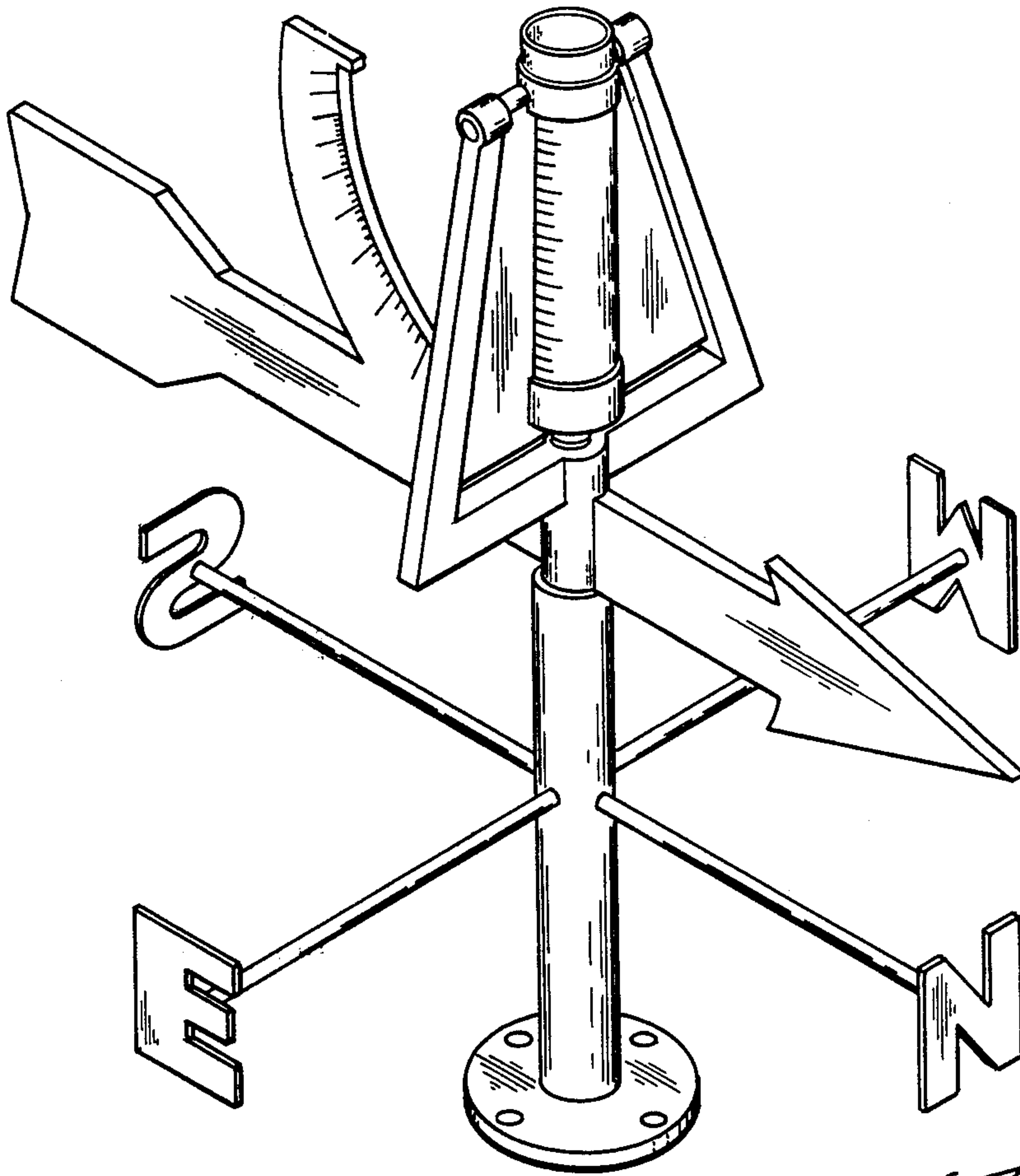


FIG. 1

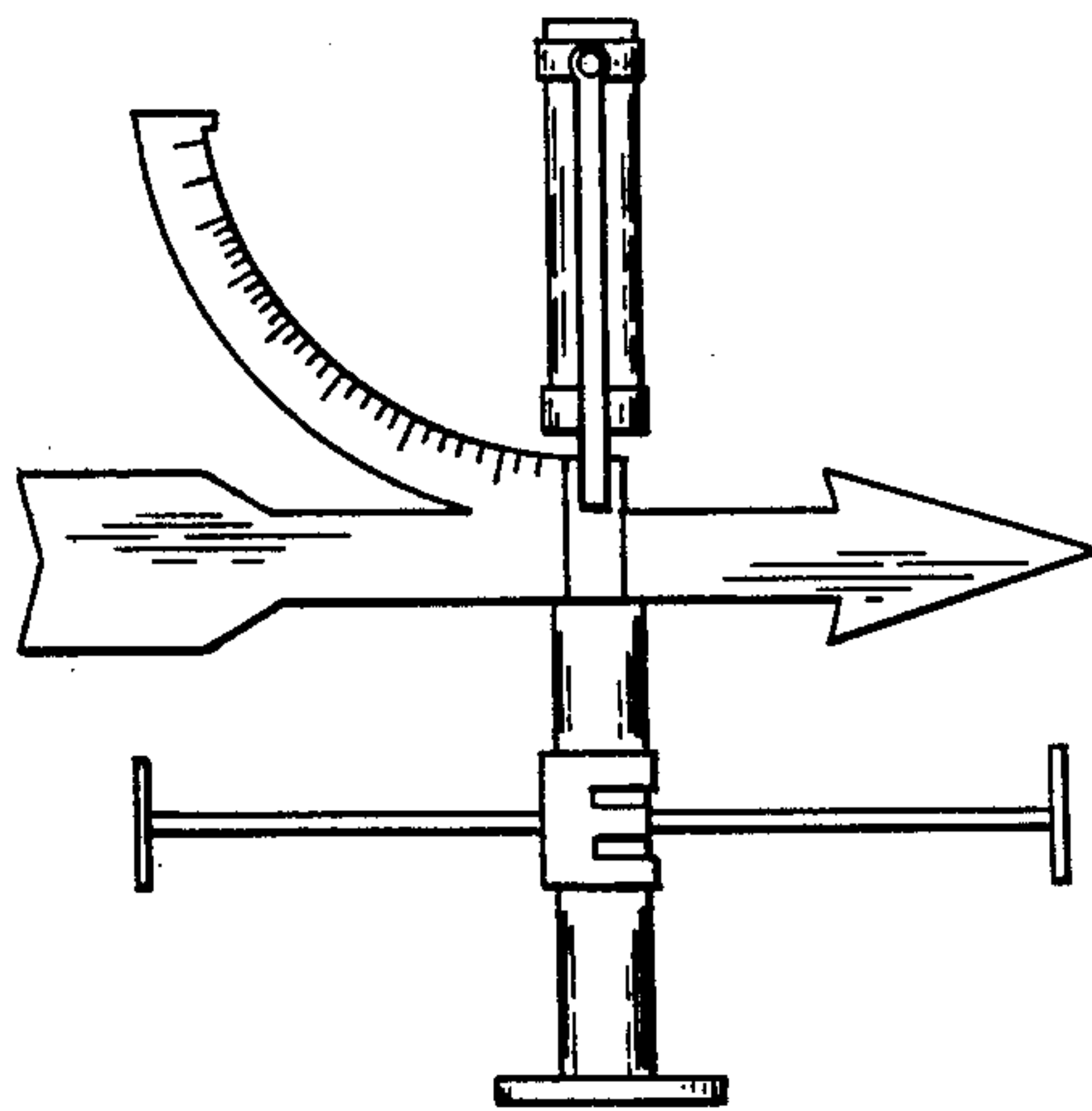
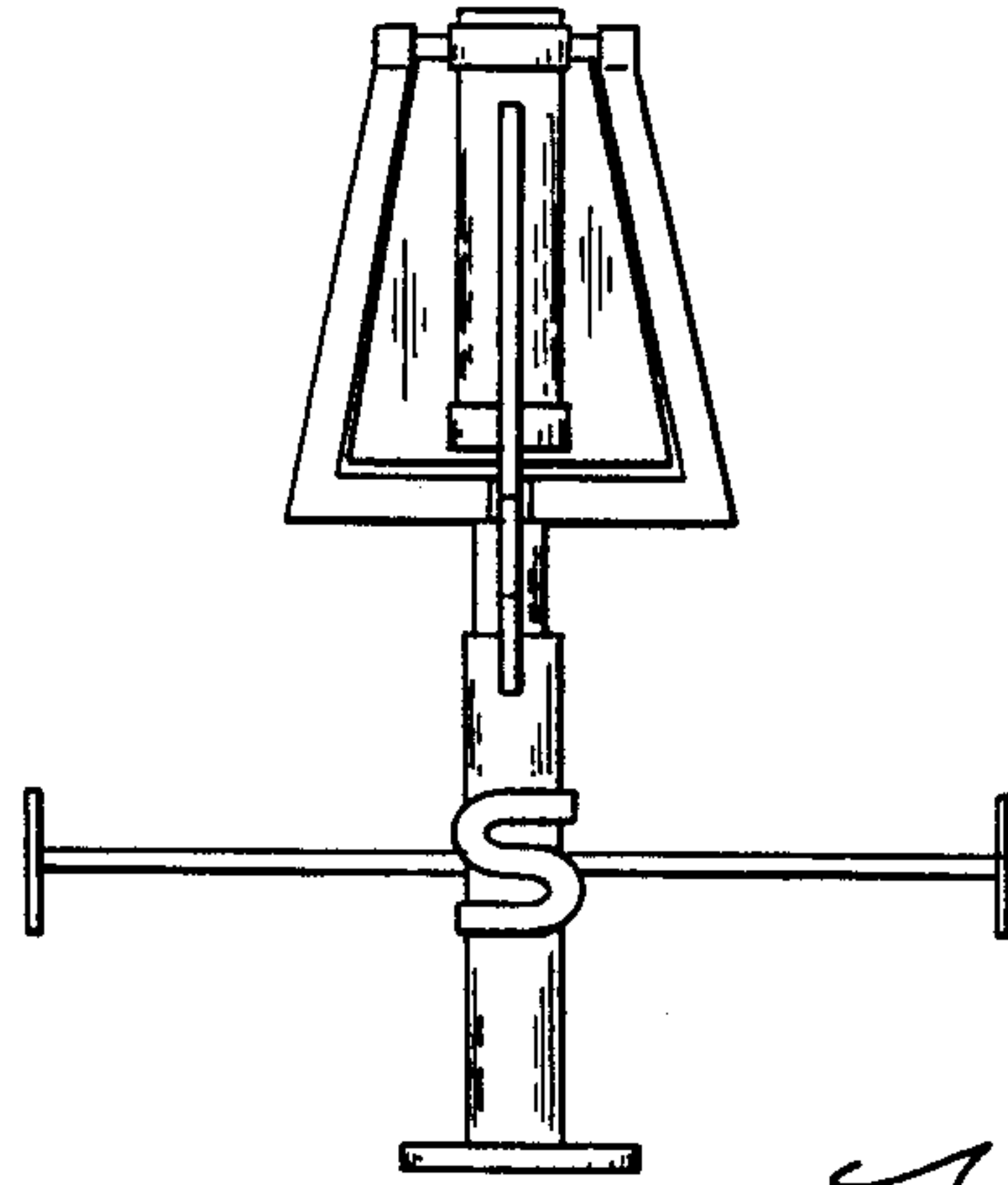
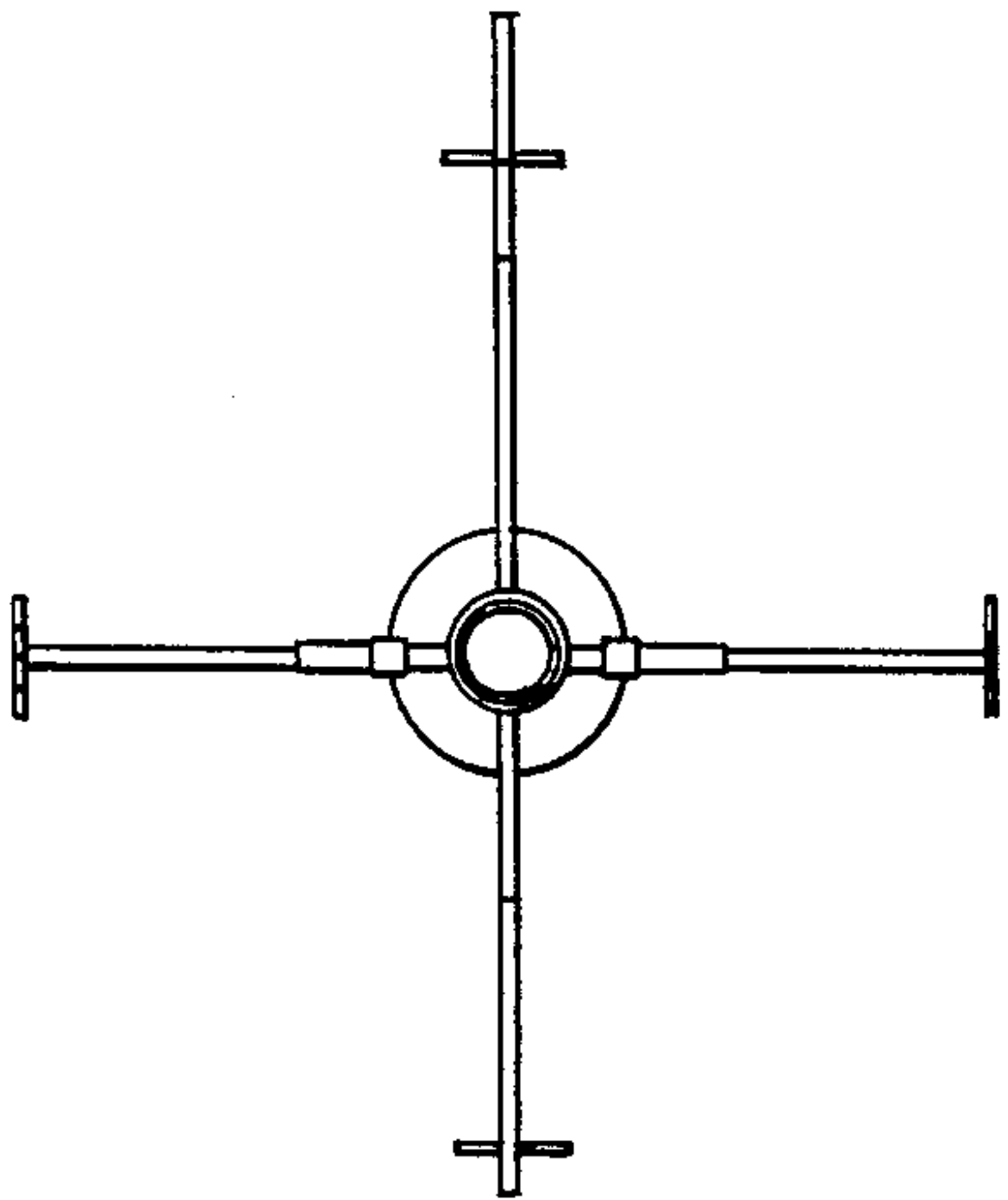


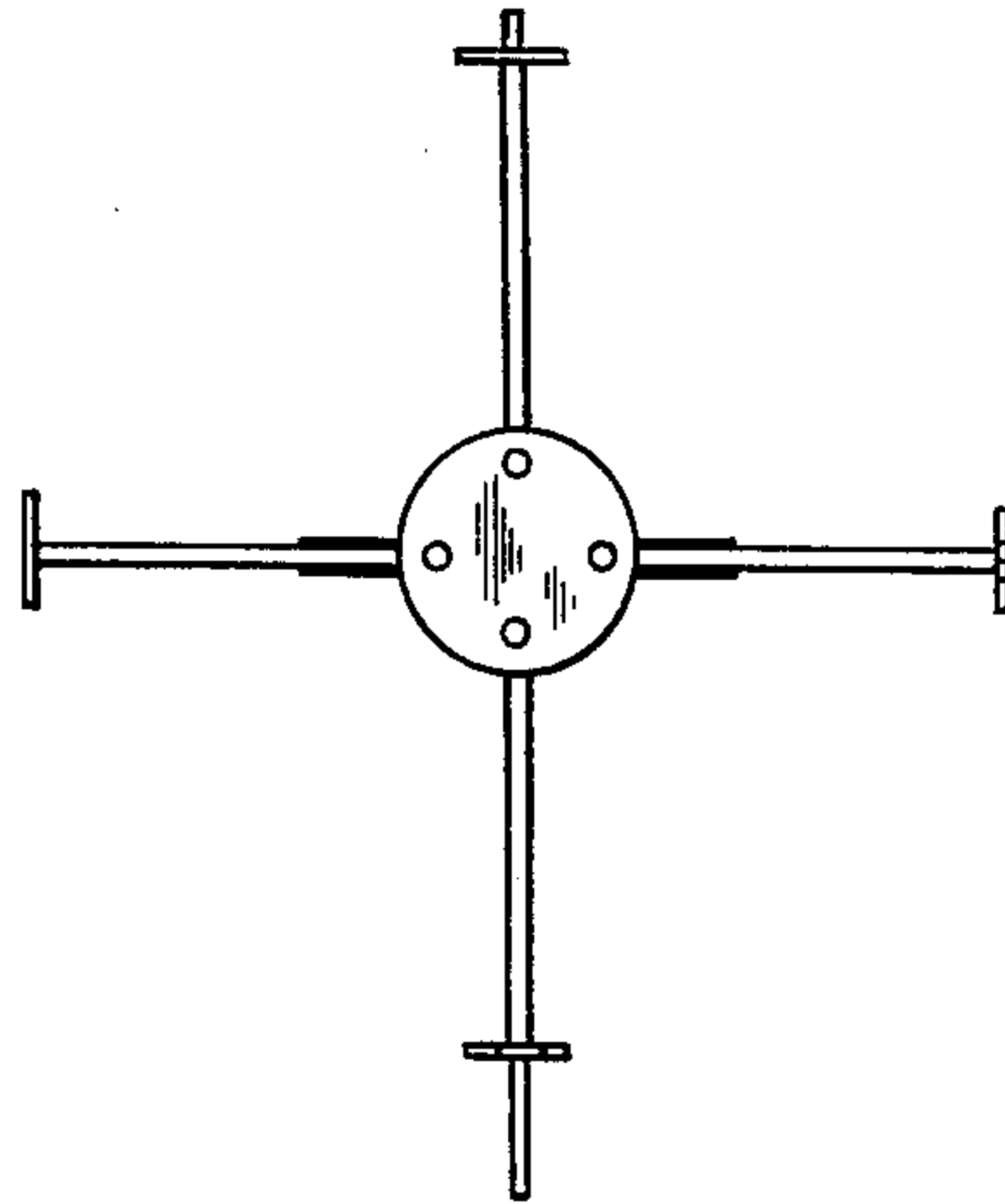
FIG. 2



*FIG. 3*



*FIG. 4*



*FIG. 5*