

[54] SEAT OR SIMILAR ARTICLE

[75] Inventor: Matti Halme, Helsinki, Finland

[73] Assignee: Burris Industries, Incorporated

[**] Term: 14 Years

[21] Appl. No.: 893,174

[22] Filed: Apr. 3, 1978

[51] Int. Cl. D6-01

[52] U.S. Cl. D6/71; D6/63

[58] Field of Search D6/67-78; 297/232, 297/233

[56] References Cited

U.S. PATENT DOCUMENTS

D. 166,058 2/1952 Williams D6/63
D. 247,464 3/1978 Fisher D6/73

OTHER PUBLICATIONS

"Rowe" Catalog, p. C-759, Loveseat No. 8603.

Primary Examiner—Bruce W. Dunkins

Attorney, Agent, or Firm—Daniel E. McConnell

[57] CLAIM

The ornamental design for a seat or similar article, as shown and described.

DESCRIPTION

FIG. 1 is a front perspective view of a seat showing my new design;

FIG. 2 is a front elevational view thereof but on a smaller scale;

FIG. 3 is a side elevational view thereof also on a smaller scale;

FIG. 4 is a top plan view of the seat of FIG. 1 but on a smaller scale;

FIG. 5 is a partial sectional elevation side view, taken generally along the line 5-5 of FIG. 2, of the seat of FIG. 1;

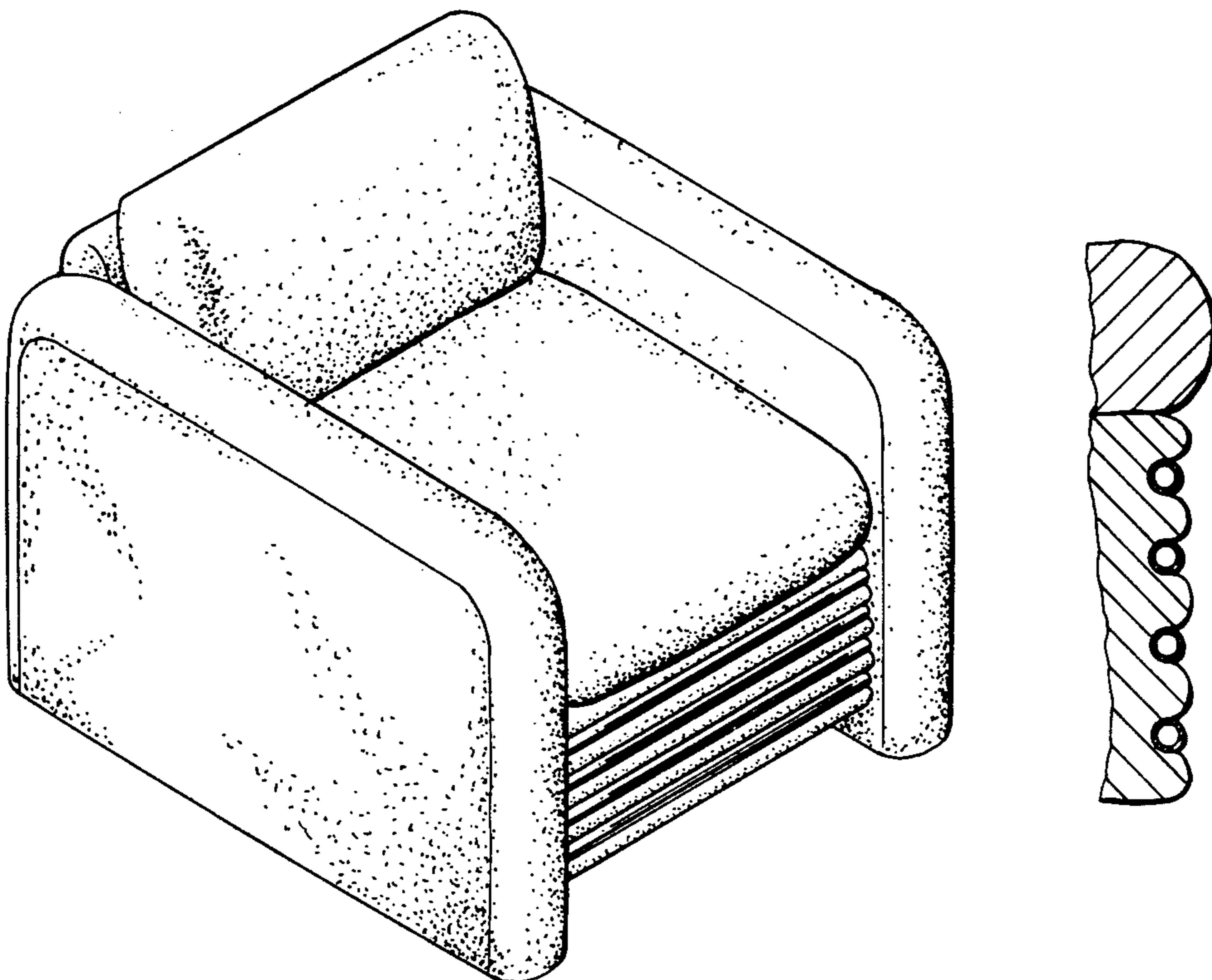
FIG. 6 is a front perspective view of a modified form of the seat of FIG. 1 in the form of a love seat;

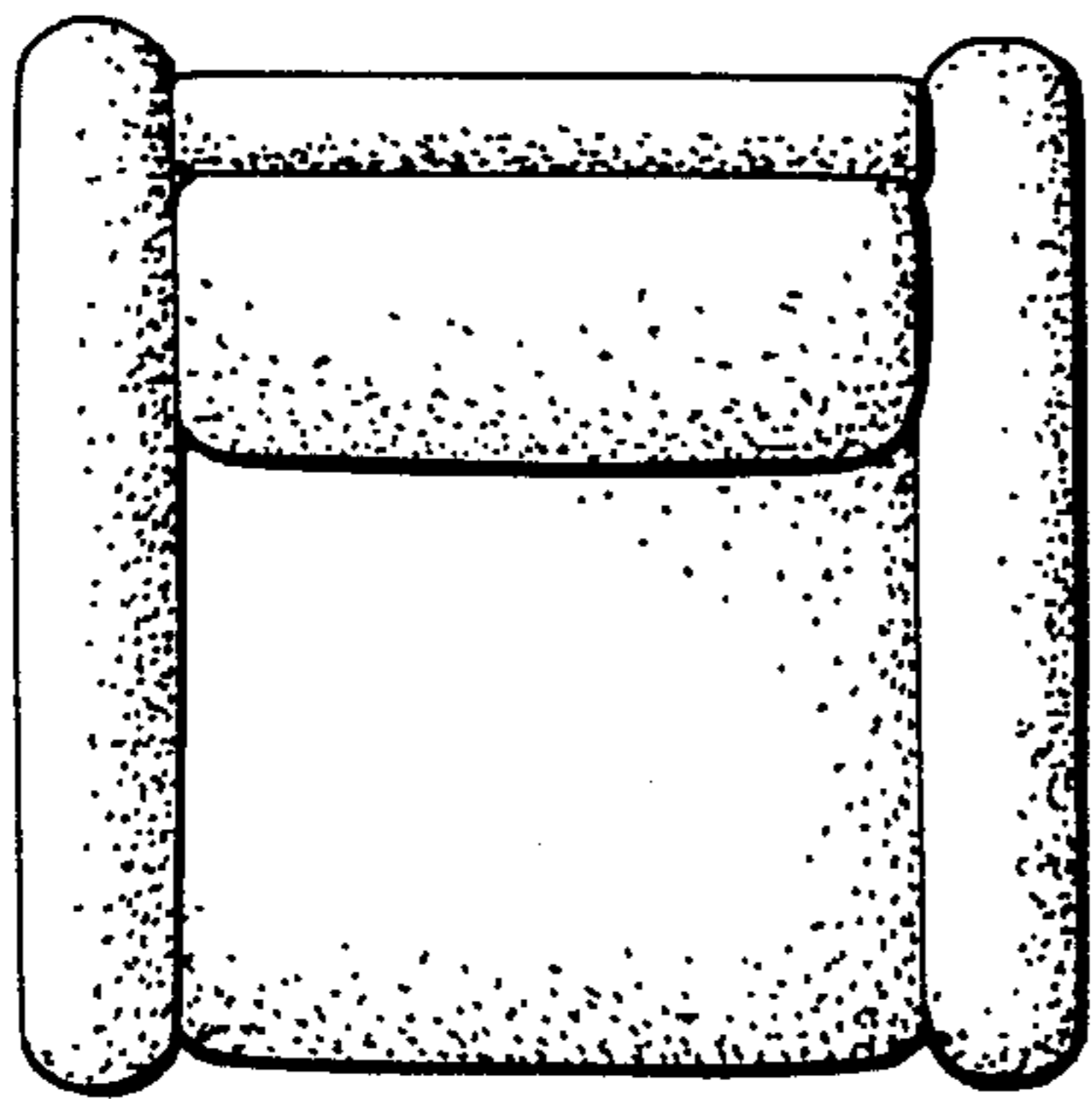
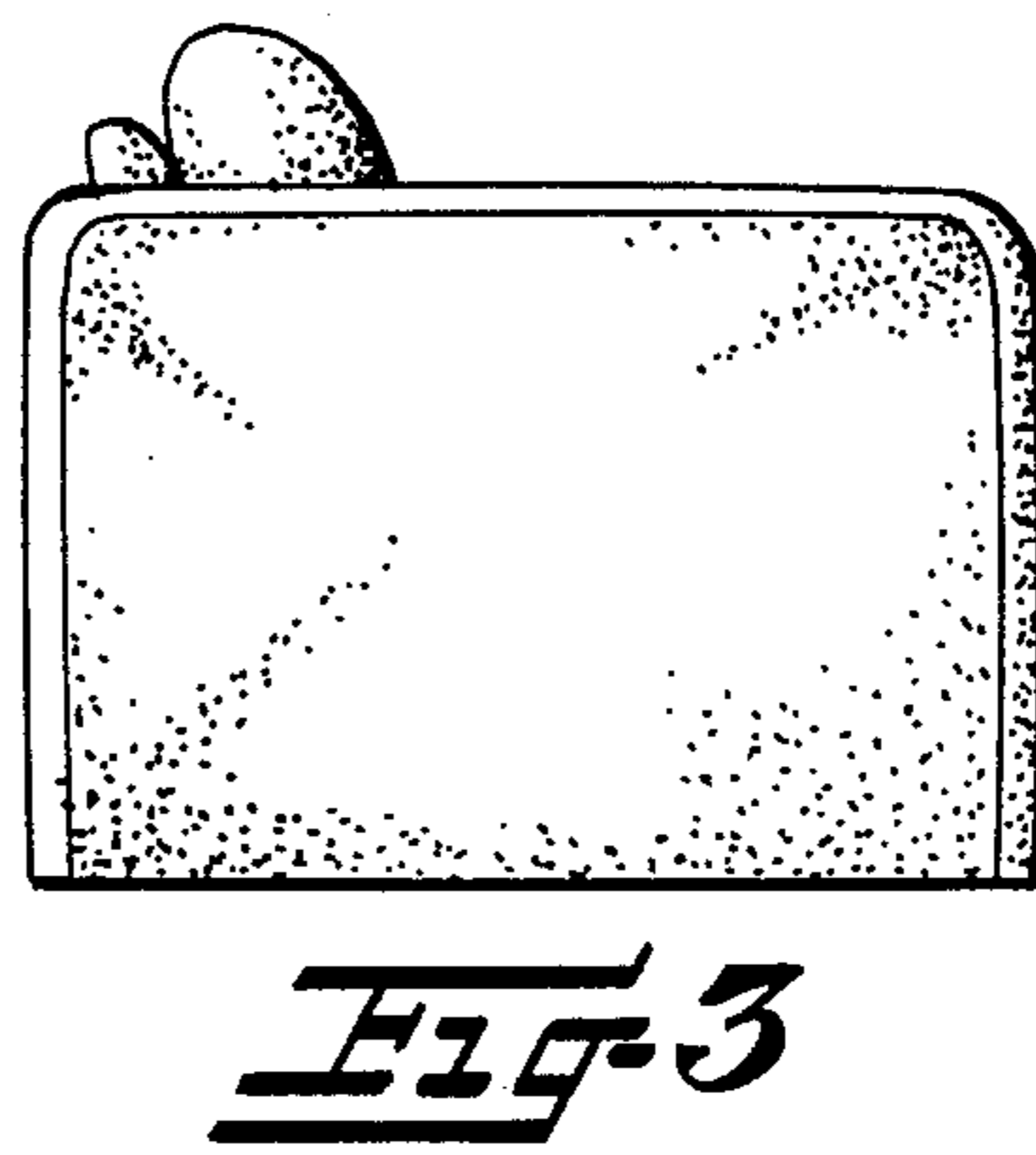
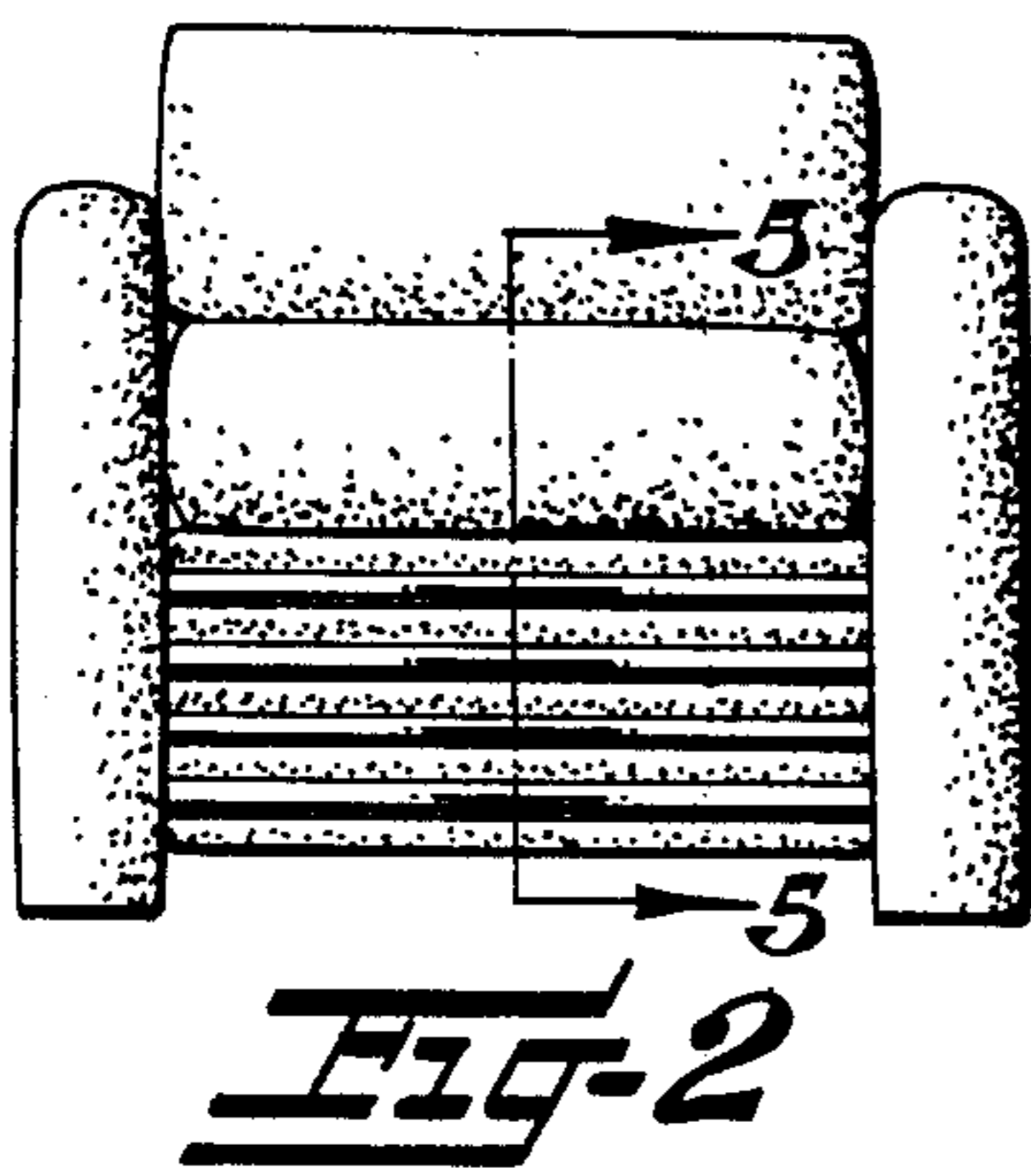
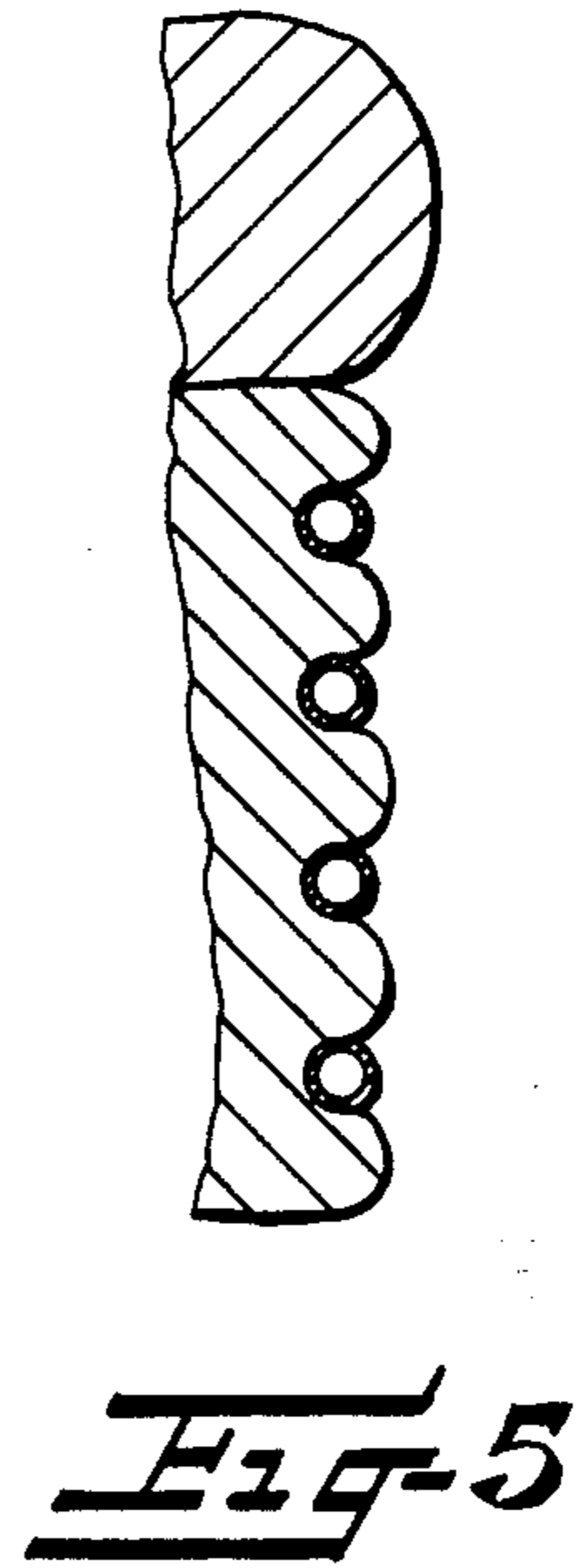
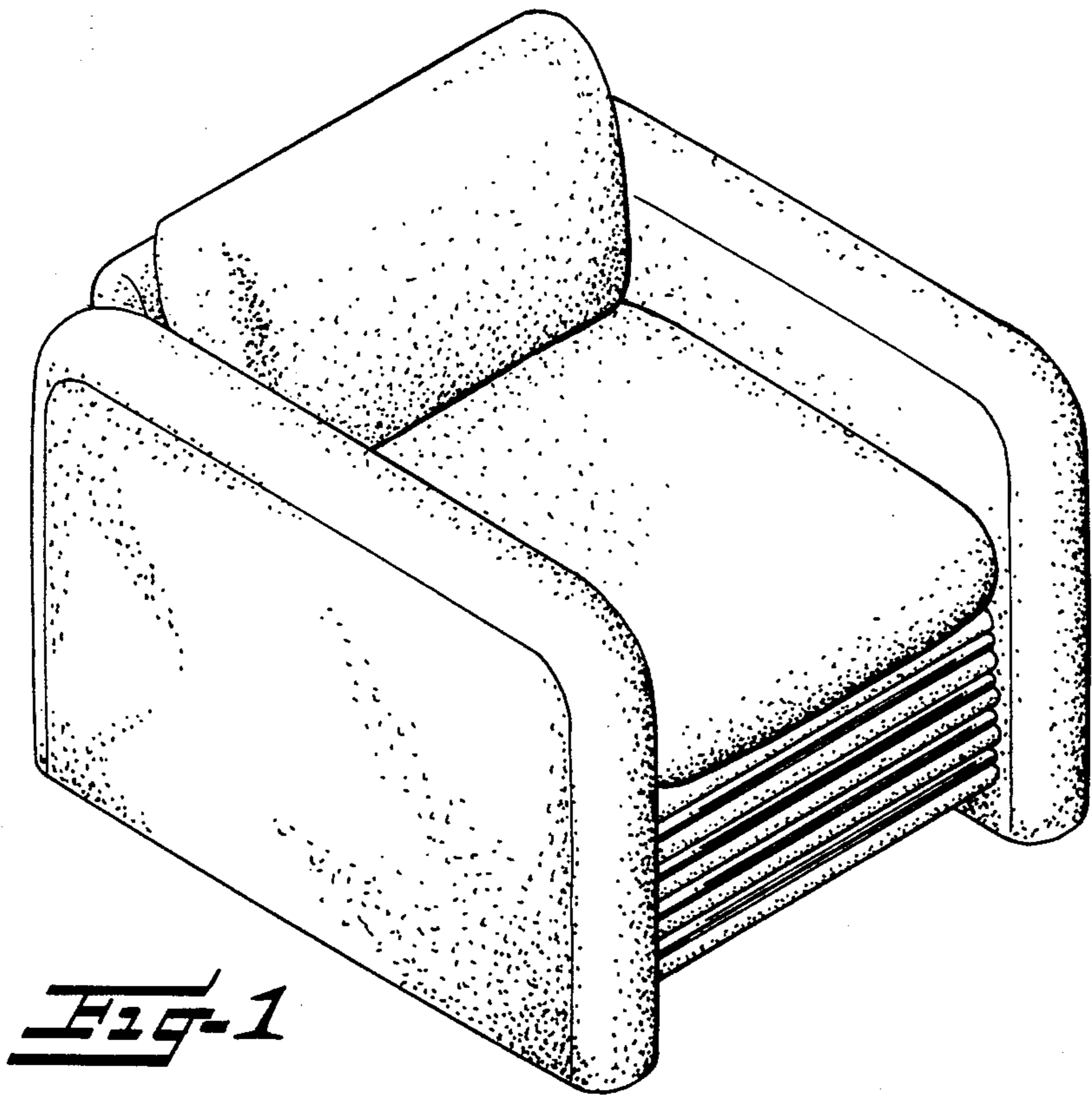
FIG. 7 is a front perspective view of a modified form of the seat of FIG. 1 in the form of a sofa,; and

FIG. 8 is a greatly enlarged front elevational view of a lower front panel portion of the seat of FIGS. 1 and 2, particularly showing the relationship of tubular elements and an upholstered panel.

The design for seat or similar article is particularly characterized by a horizontally ribbed appearance front panel portion in which metallic tubular elements and upholstered elements alternate vertically, as best shown in FIG. 8.

The side of the seat not shown is a mirror image of the side shown while the rear is conventionally flat and unornamented.





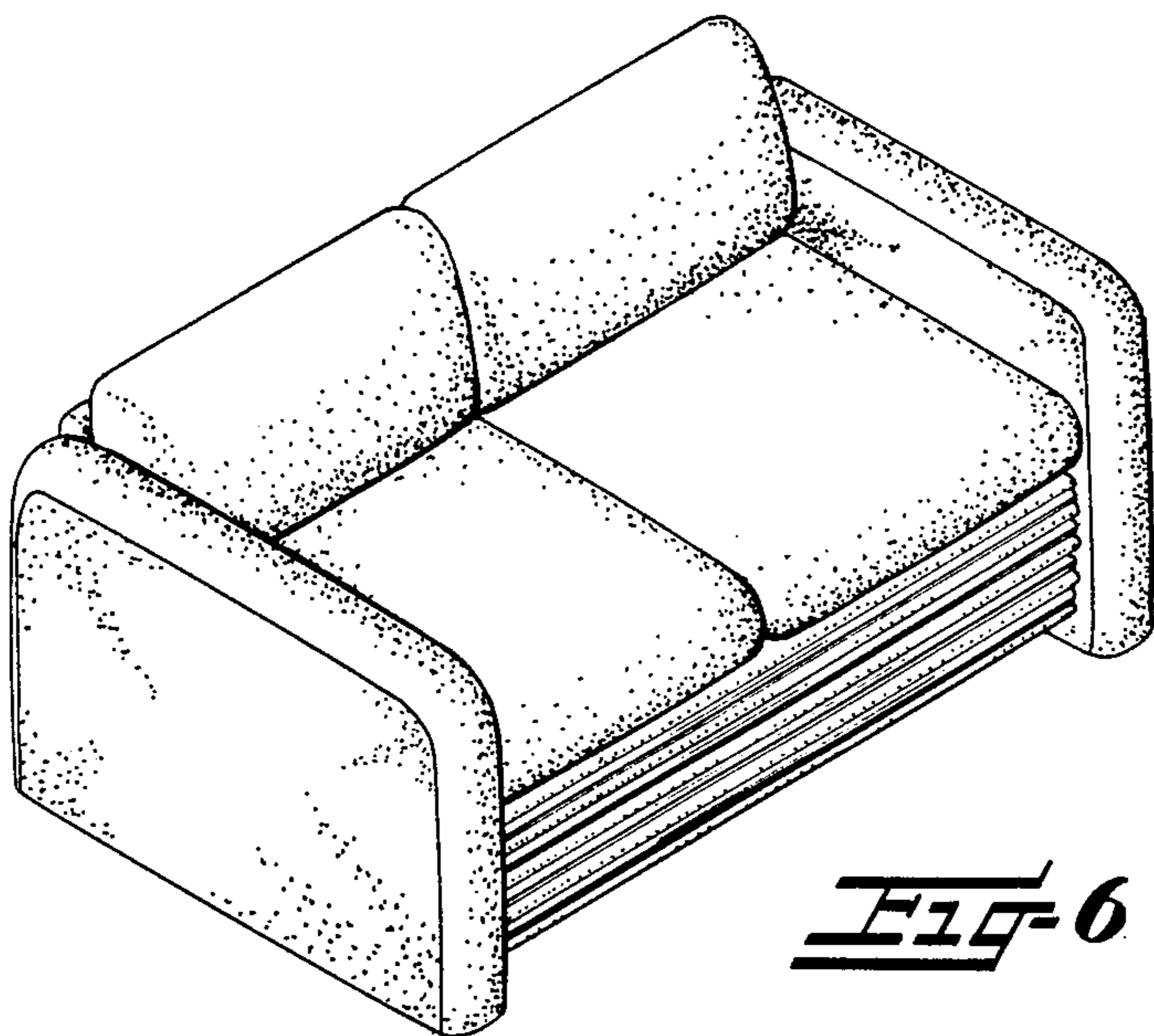


FIG-6

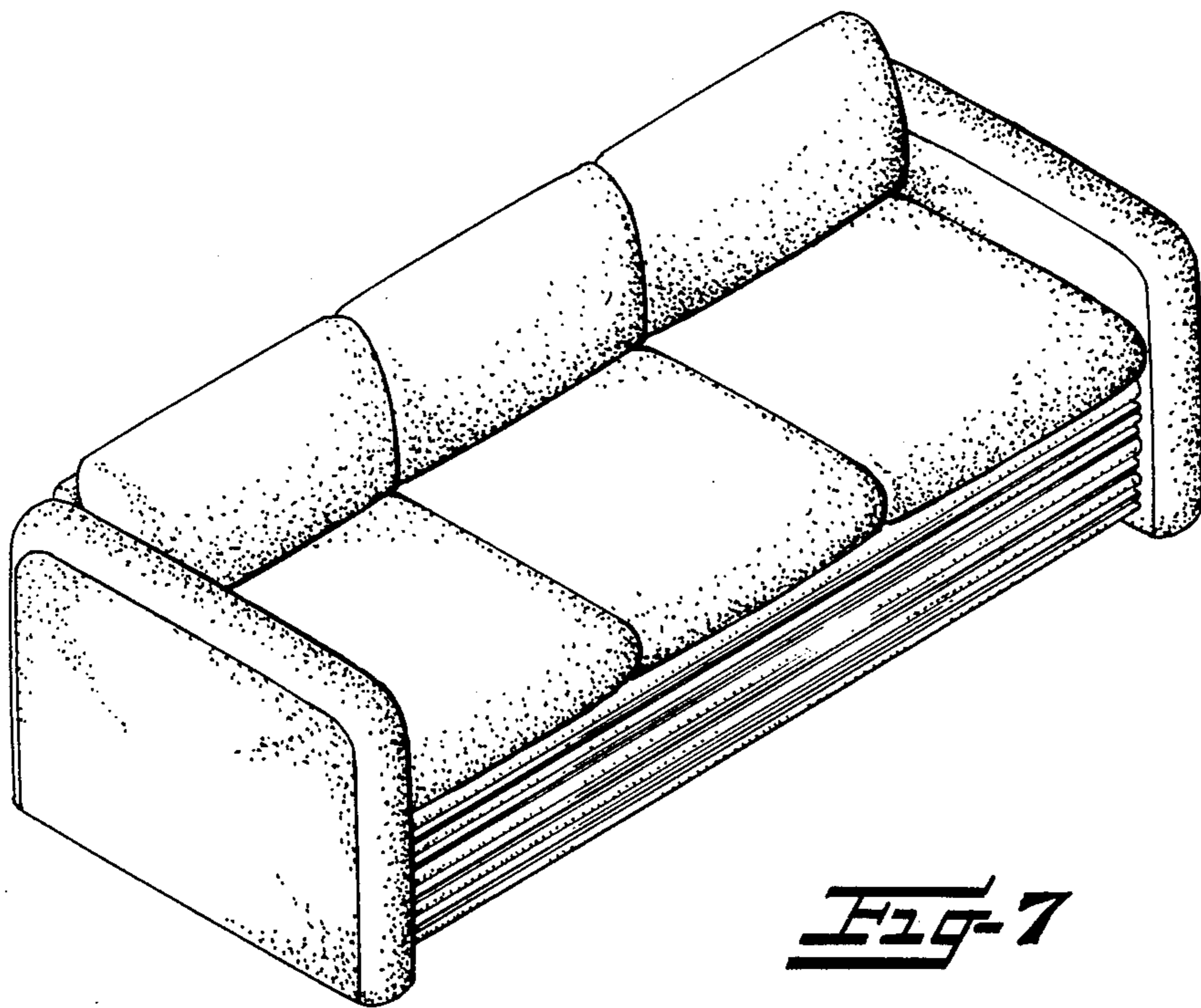


FIG-7

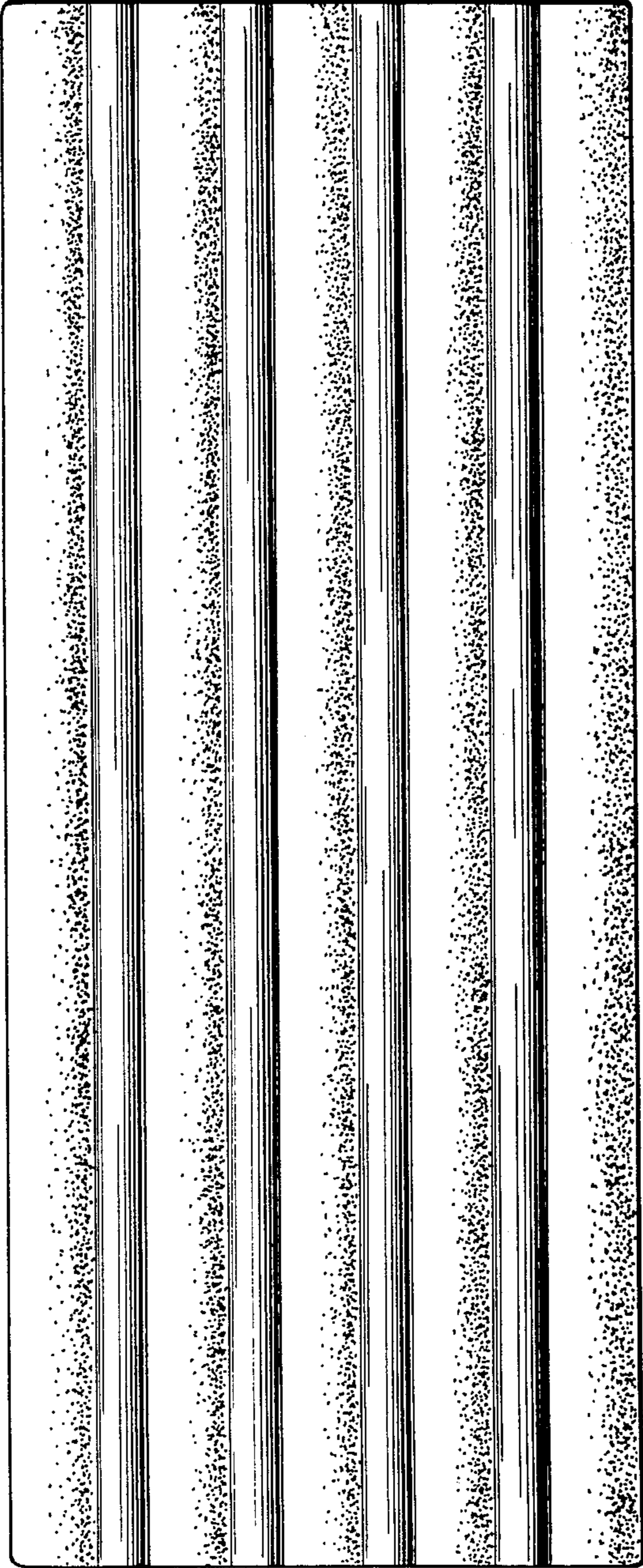


FIG-8