

[54] CHAIN SAW CASE OR THE LIKE

2,788,889 4/1957 Turbow ..... 206/576

[75] Inventors: Andrew E. Dembicks, Raleigh, N.C.;  
Peter T. Schurman, Woodbridge,  
Conn.

[73] Assignee: The Plastic Forming Company, Inc.,  
Woodbridge, Conn.

[\*\*] Term: 14 Years

[21] Appl. No.: 891,484

[22] Filed: Mar. 29, 1978

[51] Int. Cl. .... D3-02

[52] U.S. Cl. .... D3/30; D3/72

[58] Field of Search ..... D3/72, 30, 99, 76;  
D8/65; D15/133, 134; 150/52 R; 206/576

[56] References Cited

U.S. PATENT DOCUMENTS

D. 248,508 7/1978 Malcolm ..... D3/72

OTHER PUBLICATIONS

D.E.S.A. Industries Inc. Flyer #CS-134, 1970.  
J. C. Penny F. & W. 1977 Cat. p. 922, Item "I".

Primary Examiner—George P. Word  
Attorney, Agent, or Firm—John G. Mills, III

[57] CLAIM

The ornamental design for a chain saw case or the like,  
as shown.

DESCRIPTION

FIG. 1 is a perspective view of a chain saw case or the  
like showing our new design.

FIG. 2 is a top plan view thereof.

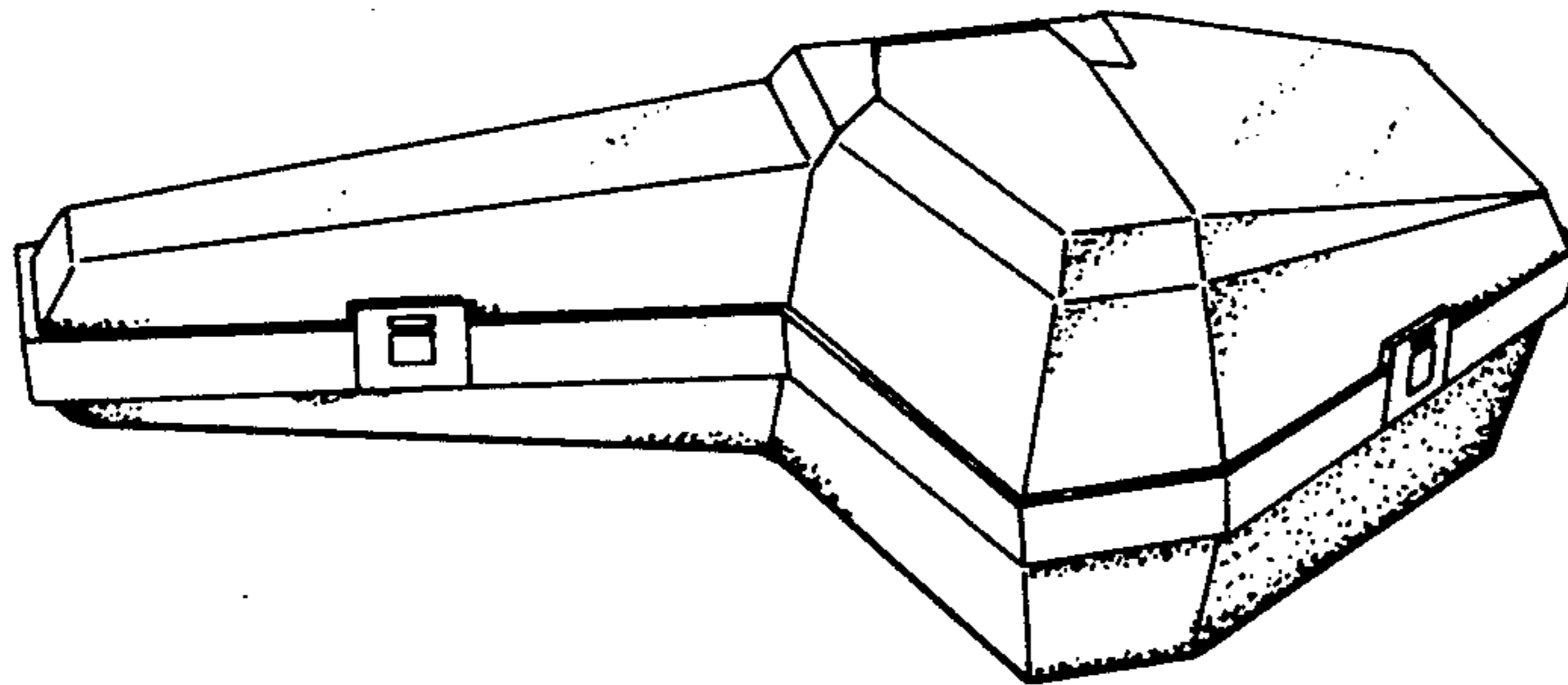
FIG. 3 is a right side elevational view thereof.

FIG. 4 is a left side elevational view thereof.

FIG. 5 is a bottom plan view thereof.

FIG. 6 is a rear elevational view thereof; and

FIG. 7 is a front elevational view thereof.



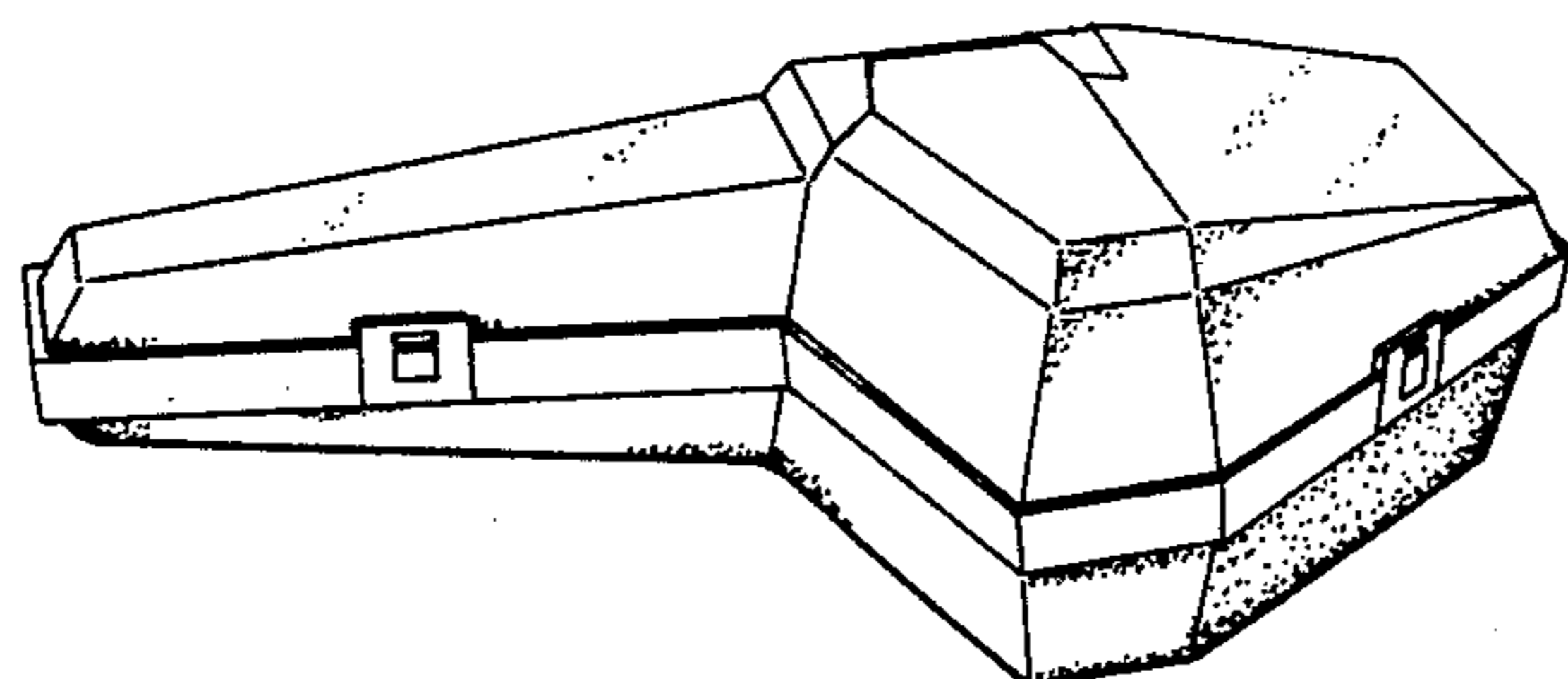


FIG. 1

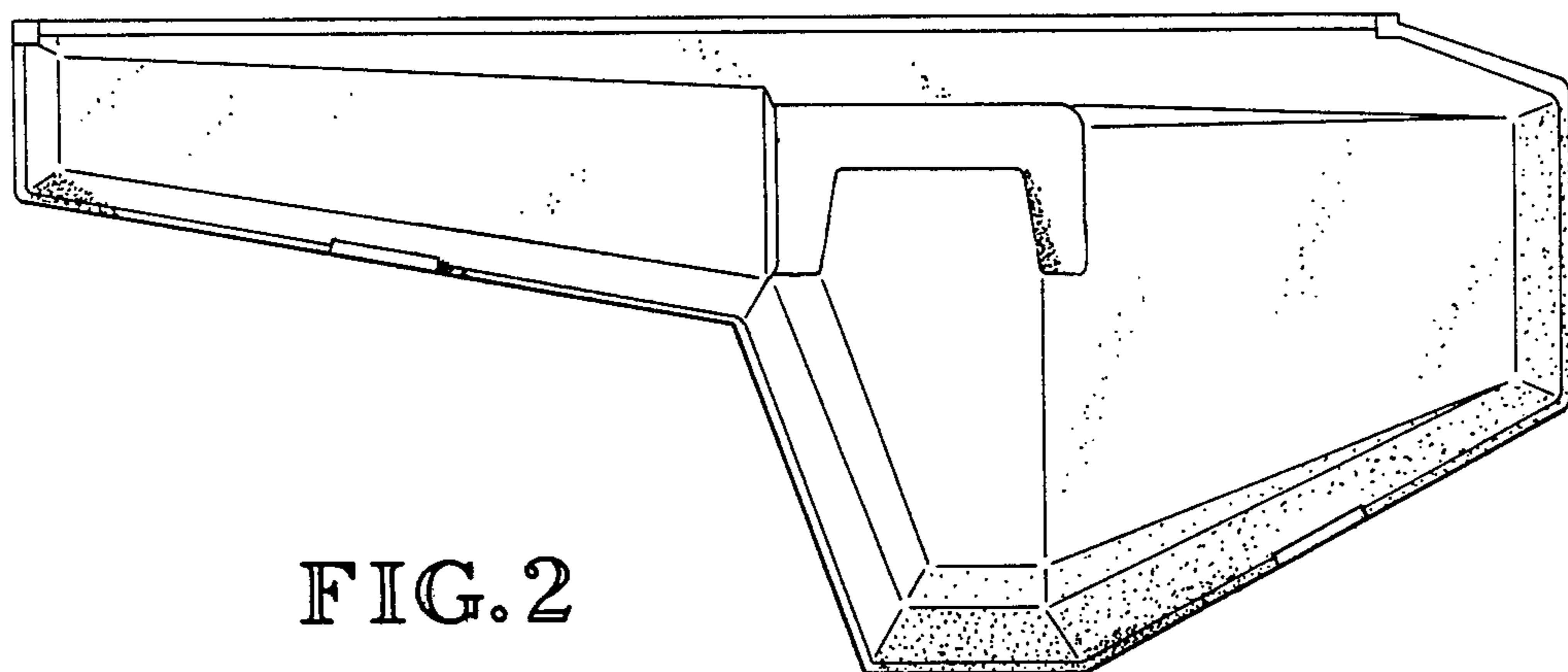


FIG. 2

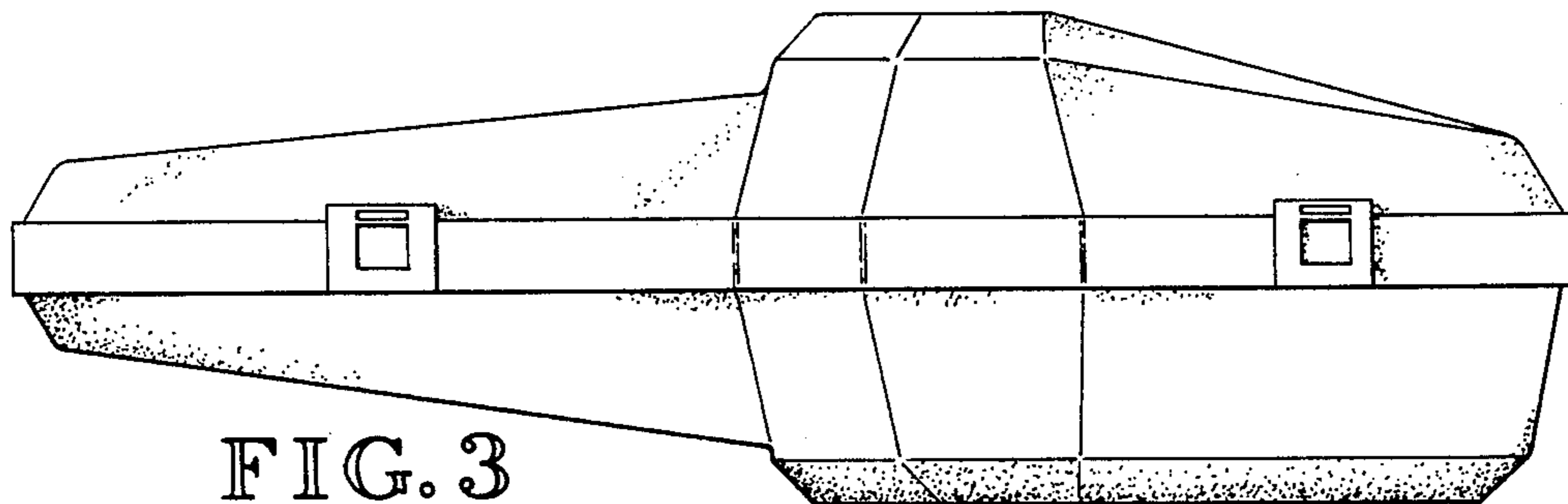


FIG. 3

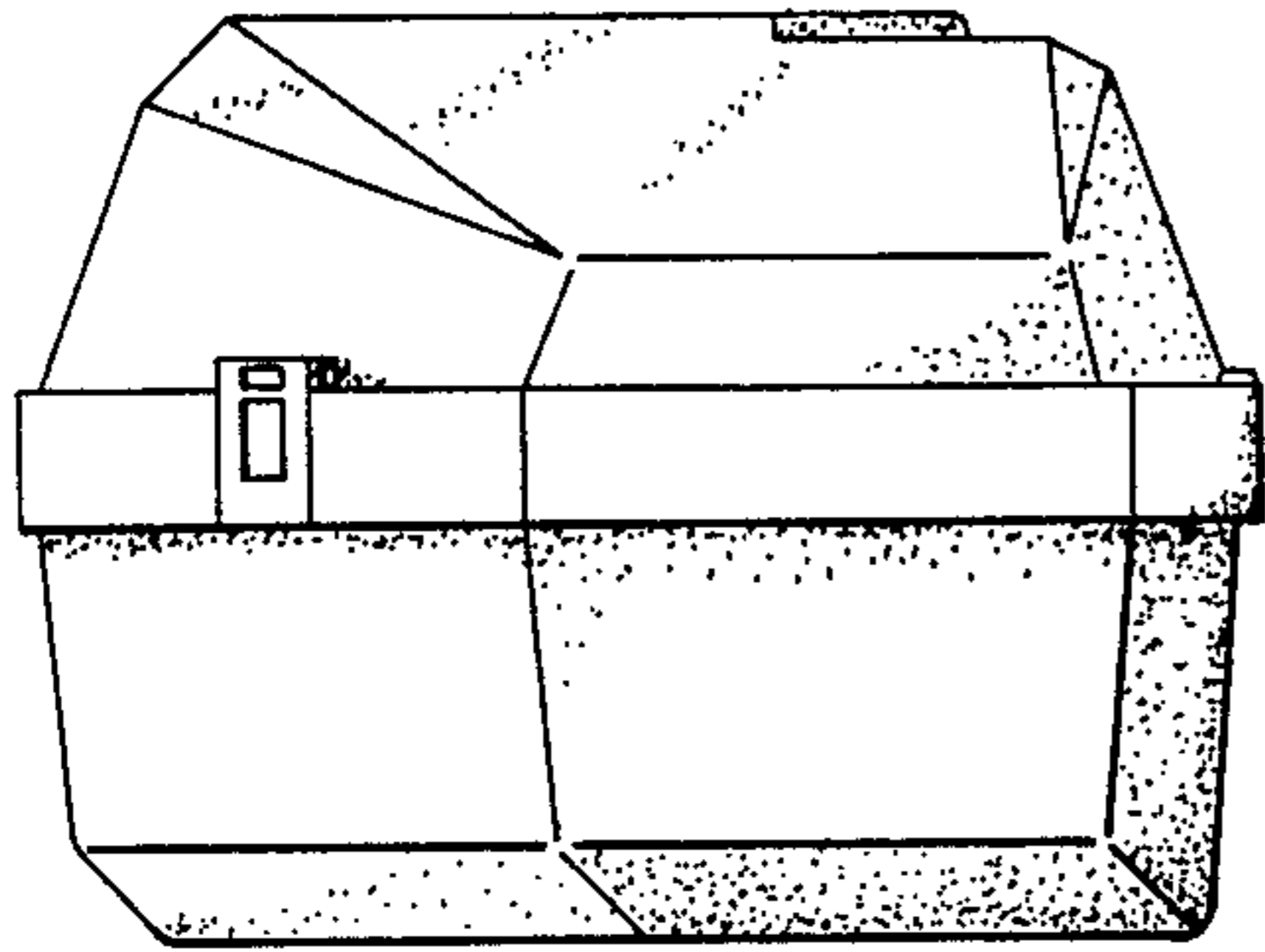


FIG. 6

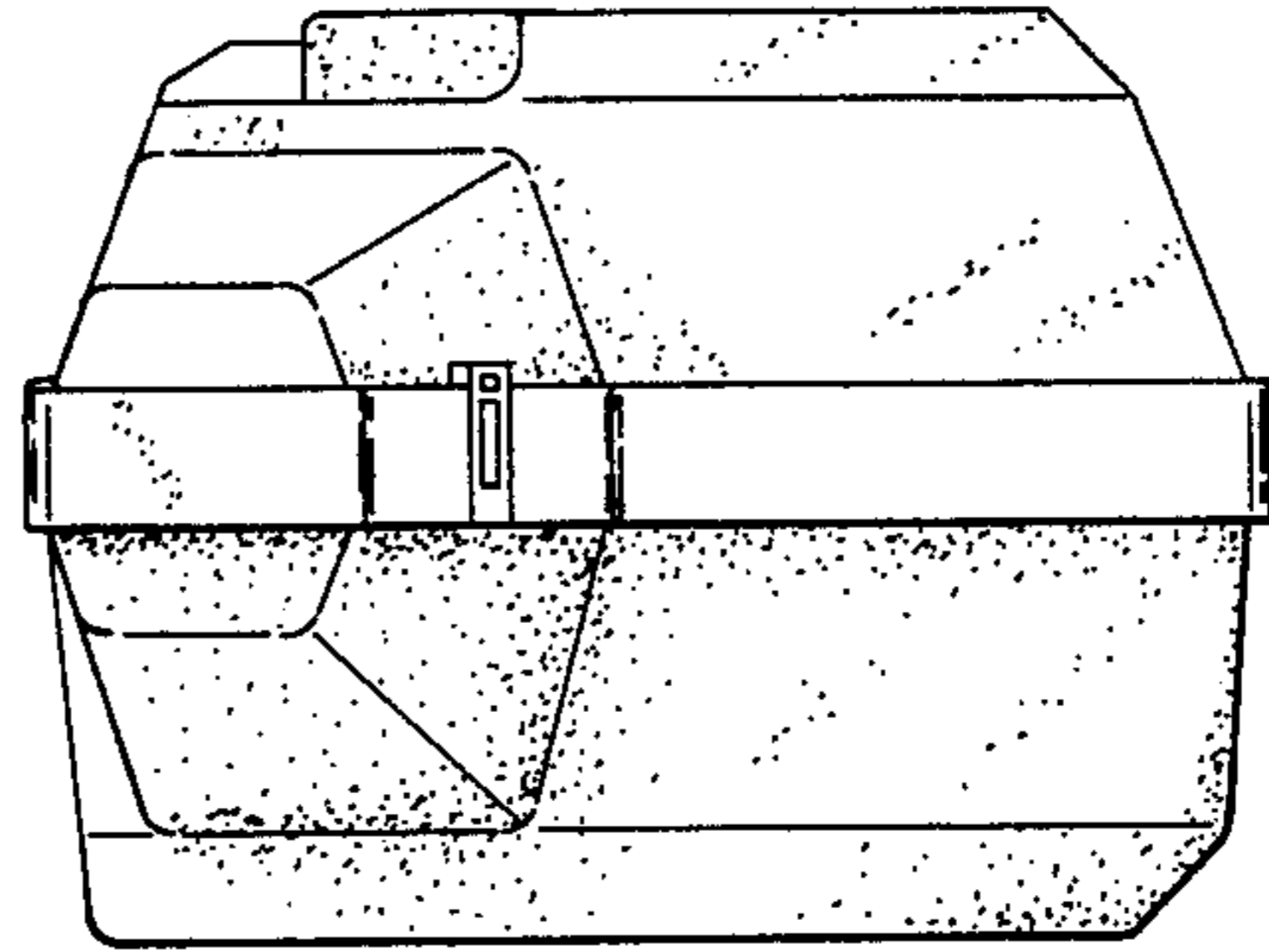


FIG. 7

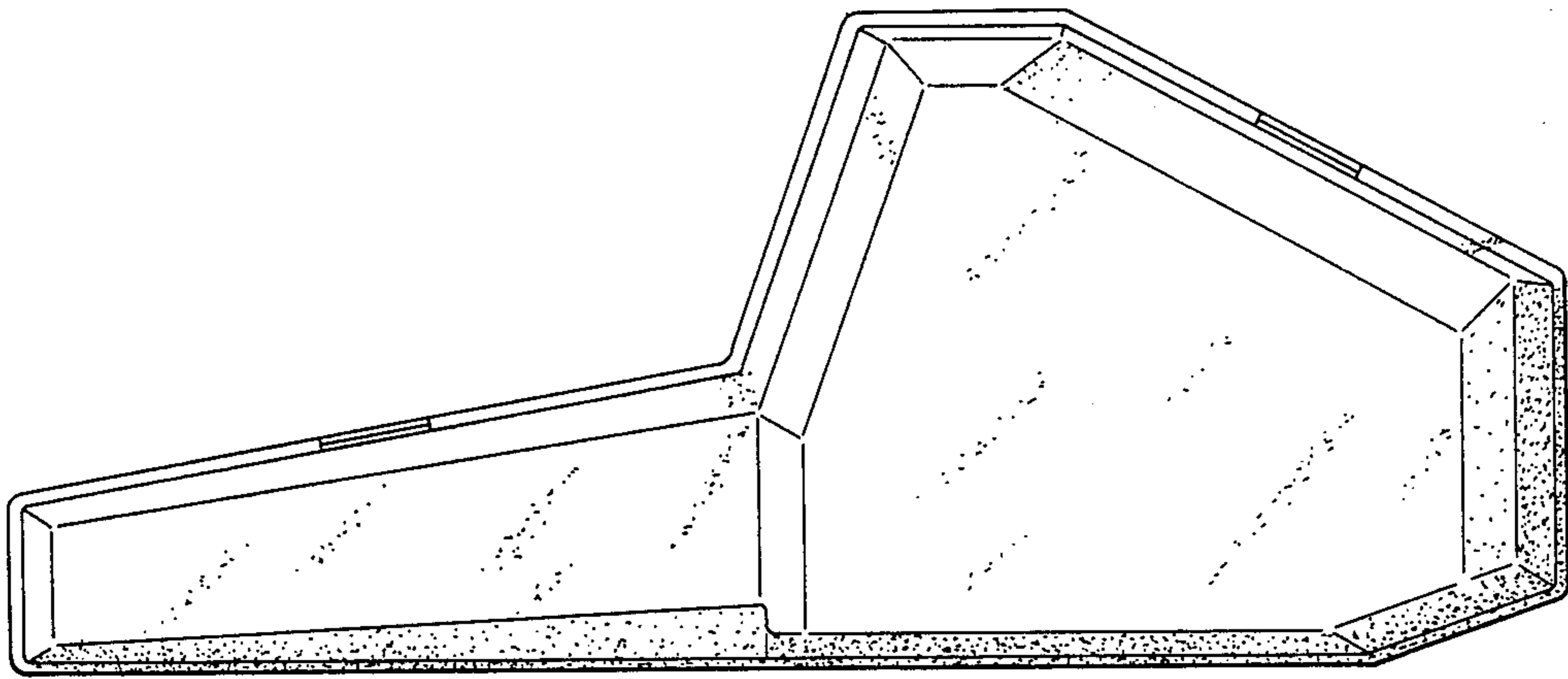


FIG. 5

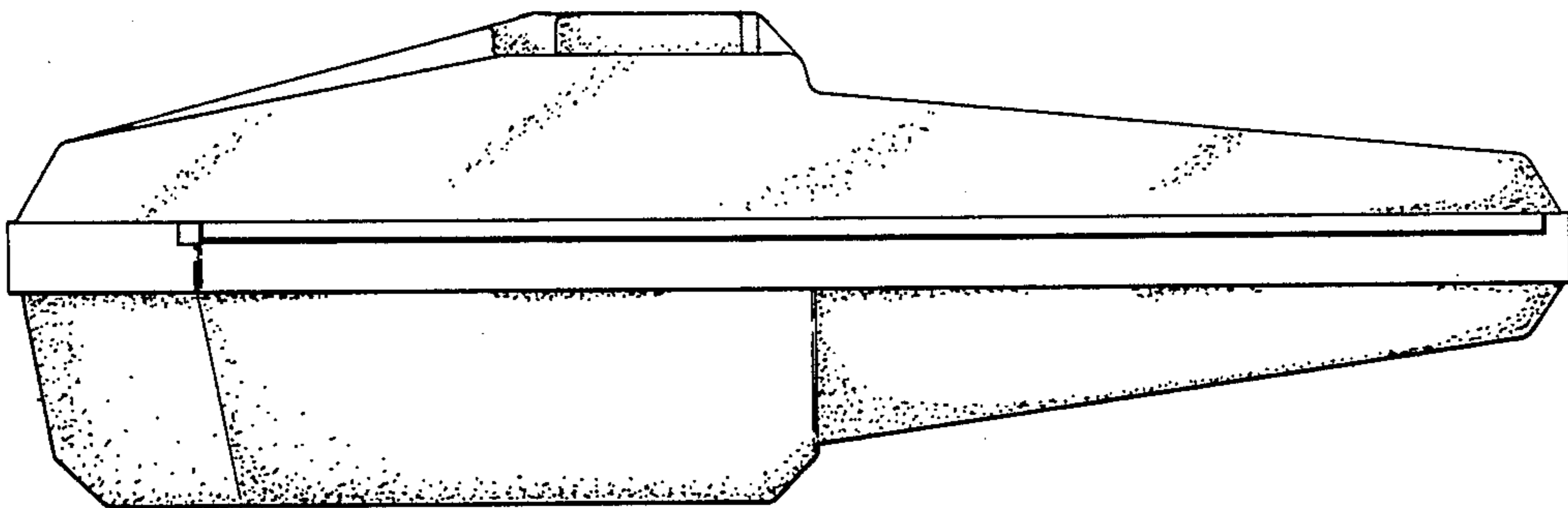


FIG. 4