

[54] SWIMMING POOL COPING MEMBER OR SIMILAR ARTICLE

[75] Inventors: James T. Cribben, Mechanicsburg; Richard A. Feeser, Mt. Holly Springs, both of Pa.

[73] Assignee: Capitol Products Corporation, Mechanicsburg, Pa.

[**] Term: 14 Years

[21] Appl. No.: 34,568

[22] Filed: Apr. 30, 1979

[51] Int. Cl. D25-99

[52] U.S. Cl. D25/74; D25/2; D25/73

[58] Field of Search D25/2, 73, 74, 75, 76; 4/172, 172.17, 172.19, 172.21; 52/169

[56] References Cited

U.S. PATENT DOCUMENTS

D. 193,055	6/1962	Lamb	D25/74 X
D. 248,778	8/1978	Kaufmann	D25/74
3,197,934	8/1965	Brown	D25/74 X
3,590,400	7/1971	Kessler	D25/2 X
4,078,515	3/1978	Svirklys	D25/74 X

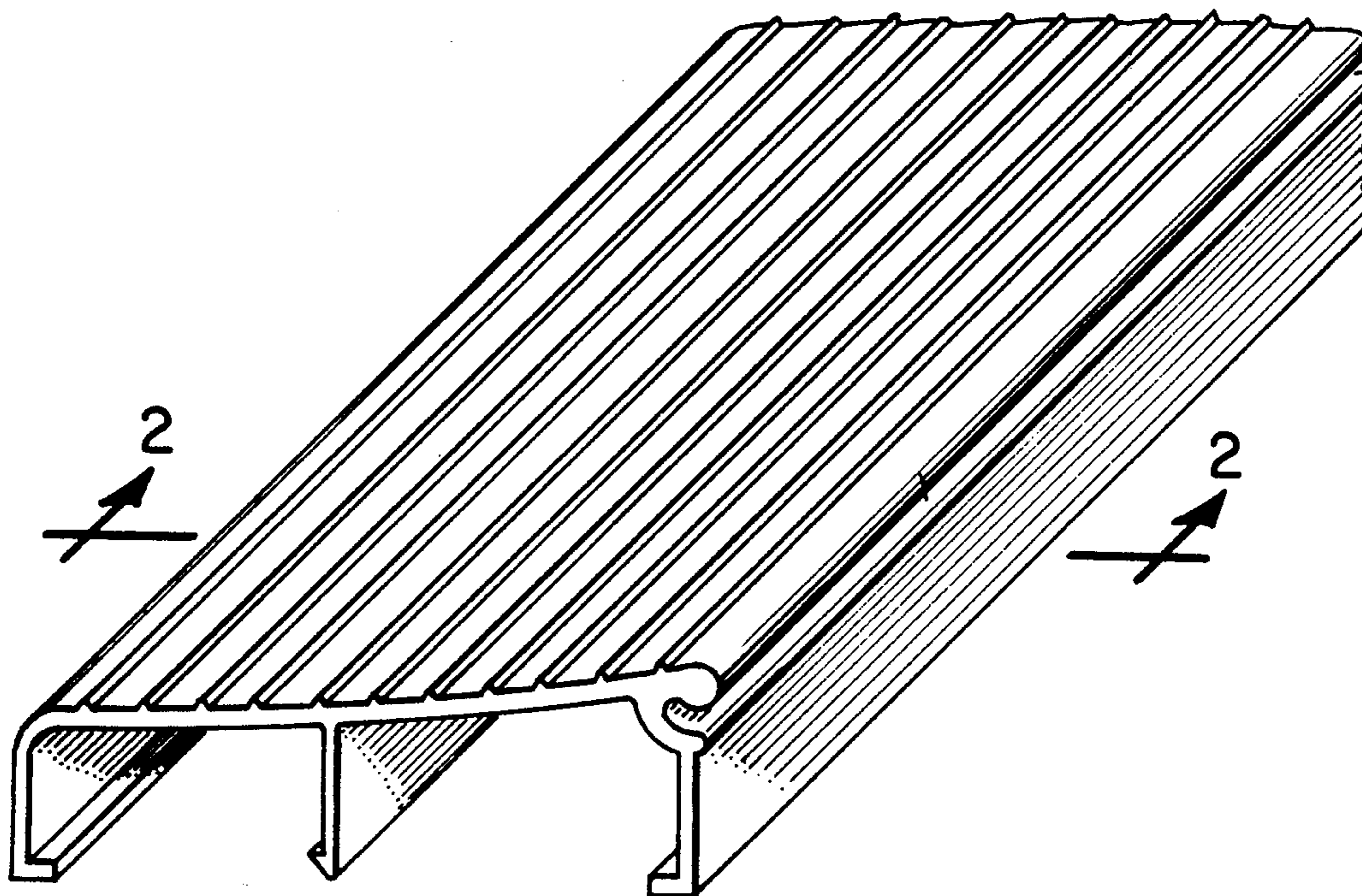
Primary Examiner—A. Hugo Word
Attorney, Agent, or Firm—Donald L. Johnson; John F. Sieberth; Paul H. Leonard

[57] CLAIM

The ornamental design for a swimming pool coping member or similar article, substantially as shown and described.

DESCRIPTION

FIG. 1 is a perspective view of a swimming pool coping member or similar article embodying our new design, shown fragmentarily to indicate indeterminate length. FIG. 2 is a sectional view thereof, taken along line 2—2 of FIG. 1.



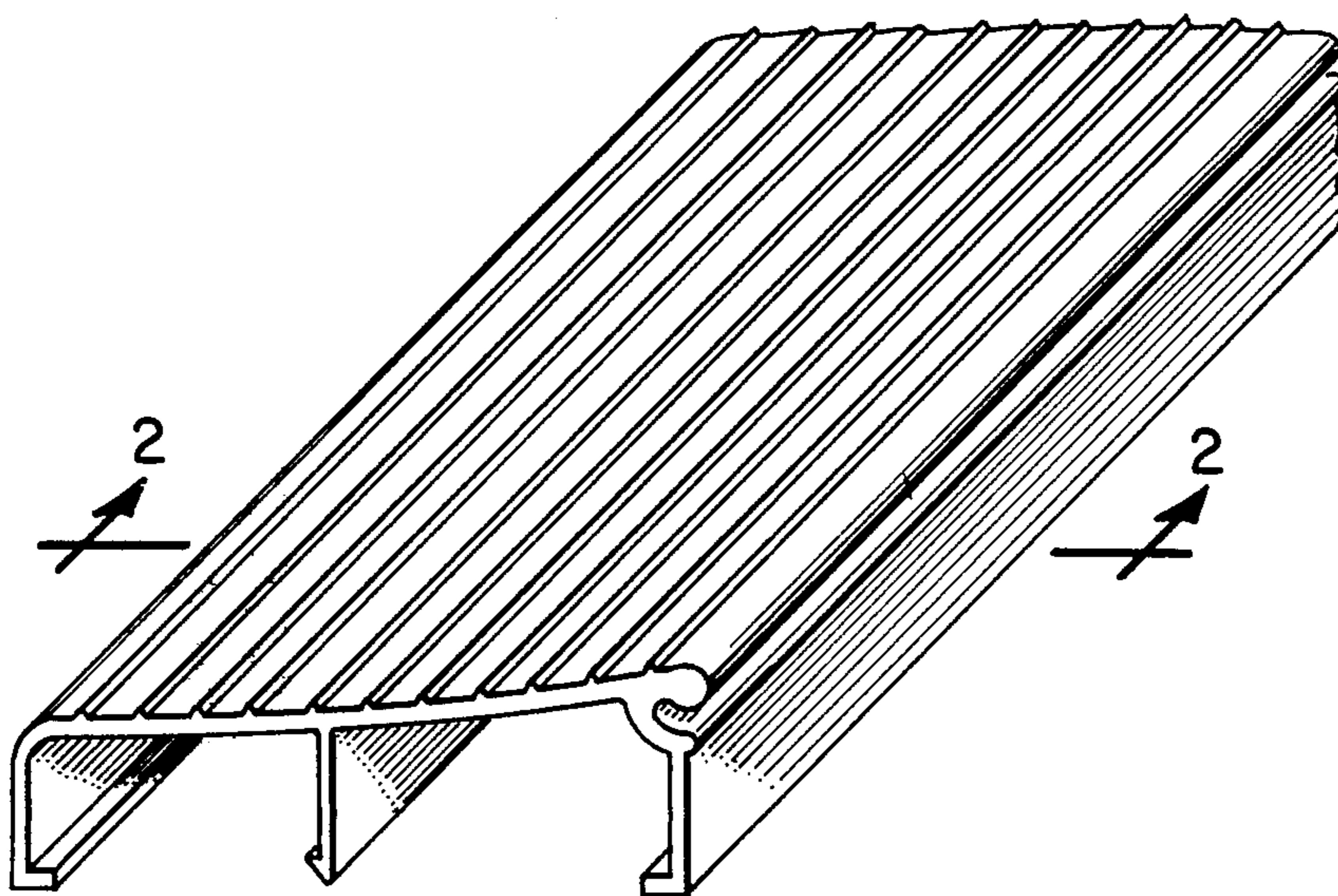


FIG. 1.

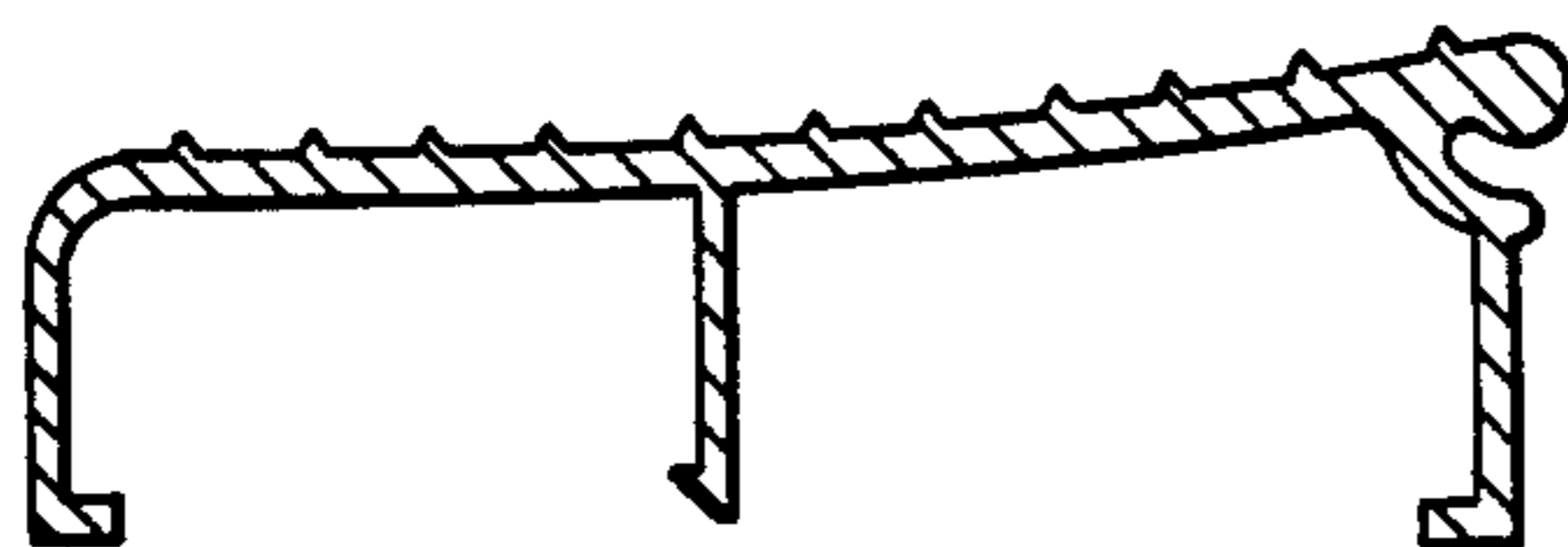


FIG. 2.