

[54] WINDOW COMPONENT EXTRUSION

[76] Inventor: Raymond Dallaire, P.O. Box 220, Levis, Quebec, Canada

[\*\*] Term: 14 Years

[21] Appl. No.: 942,439

[22] Filed: Sep. 14, 1978

[30] Foreign Application Priority Data

Mar. 17, 1978 [CA] Canada ..... 1703789

[51] Int. Cl. .... D25-01

[52] U.S. Cl. .... D25/74

[58] Field of Search ..... D25/47, 48, 52, 60, D25/61, 73, 74, 75, 76; 49/413, 504; 52/716, 720-739

[56] References Cited

U.S. PATENT DOCUMENTS

D. 225,396	12/1972	Dallaire et al. ....	D25/74
D. 246,601	12/1977	Dallaire .....	D25/74
D. 250,352	11/1978	Dallaire .....	D25/74
D. 250,483	12/1978	Dallaire .....	D25/74

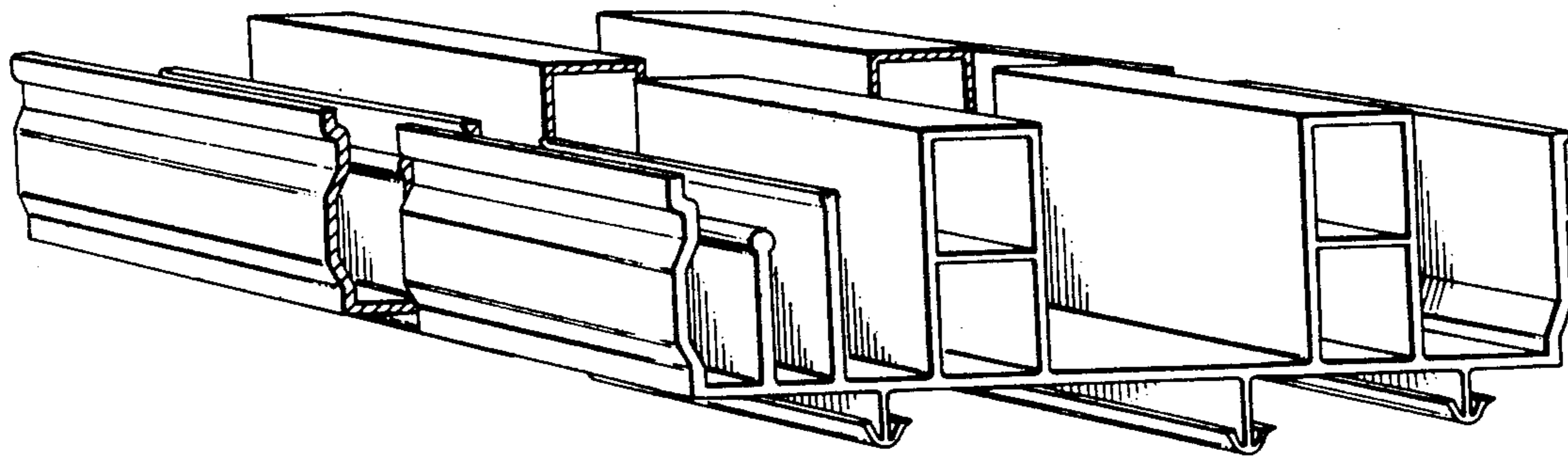
Primary Examiner—A. Hugo Word  
Attorney, Agent, or Firm—John W. Malley

[57] CLAIM

The ornamental design for a window component extrusion, as shown.

DESCRIPTION

FIG. 1 is a broken perspective of one side of the extrusion, and  
FIG. 2 is a corresponding broken perspective from the opposite side of the extrusion compared to FIG. 1.



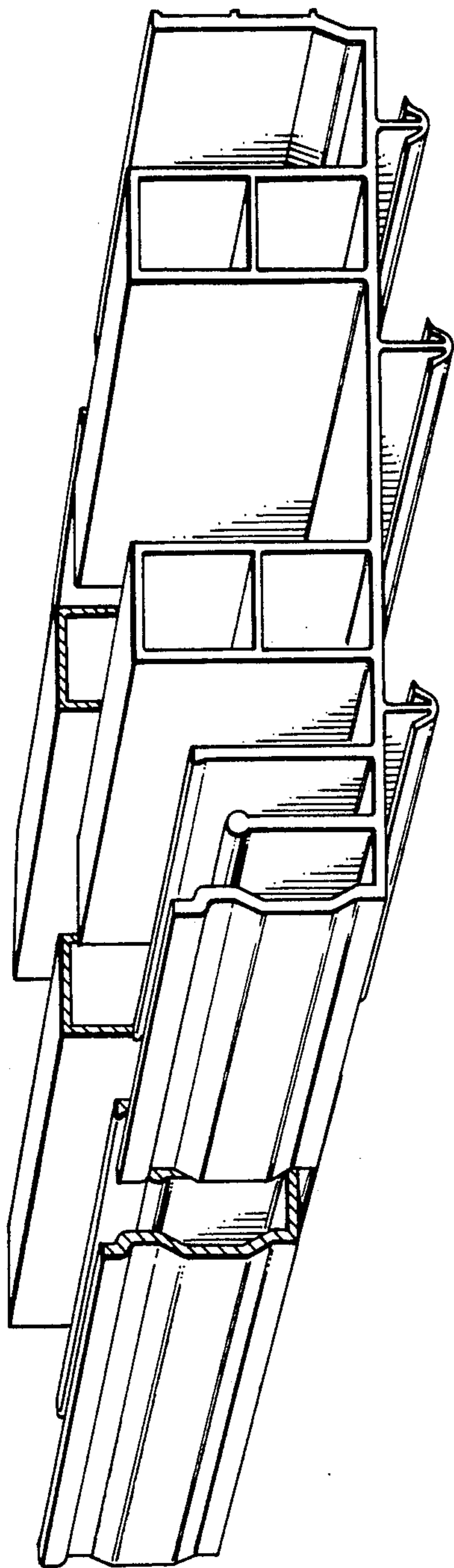


FIG. 1

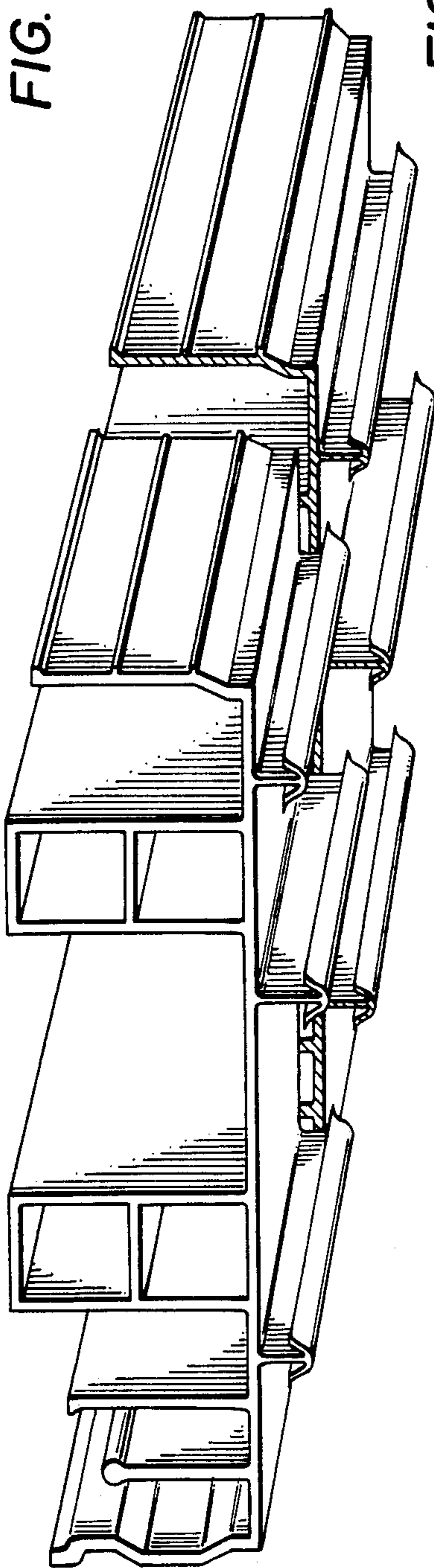


FIG. 2