

[54] WINDOW COMPONENT EXTRUSION

[76] Inventor: Raymond Dallaire, P.O. Box 220, Levis, Quebec, Canada

[**] Term: 14 Years

[21] Appl. No.: 942,437

[22] Filed: Sep. 14, 1978

[30] Foreign Application Priority Data

Mar. 17, 1978 [CA] Canada 1703787

[51] Int. Cl. D25-01

[52] U.S. Cl. D25/74

[58] Field of Search D25/47, 48, 52, 60, D25/61, 73, 74, 75, 76; 49/413, 504; 52/716, 720-739

[56] References Cited

U.S. PATENT DOCUMENTS

| | | | |
|------------|--------|----------------------|----------|
| D. 216,956 | 3/1970 | Dallaire | D25/74 X |
| D. 226,904 | 5/1973 | Dallaire et al. | D25/74 X |
| D. 245,707 | 9/1977 | Dallaire | D25/74 |

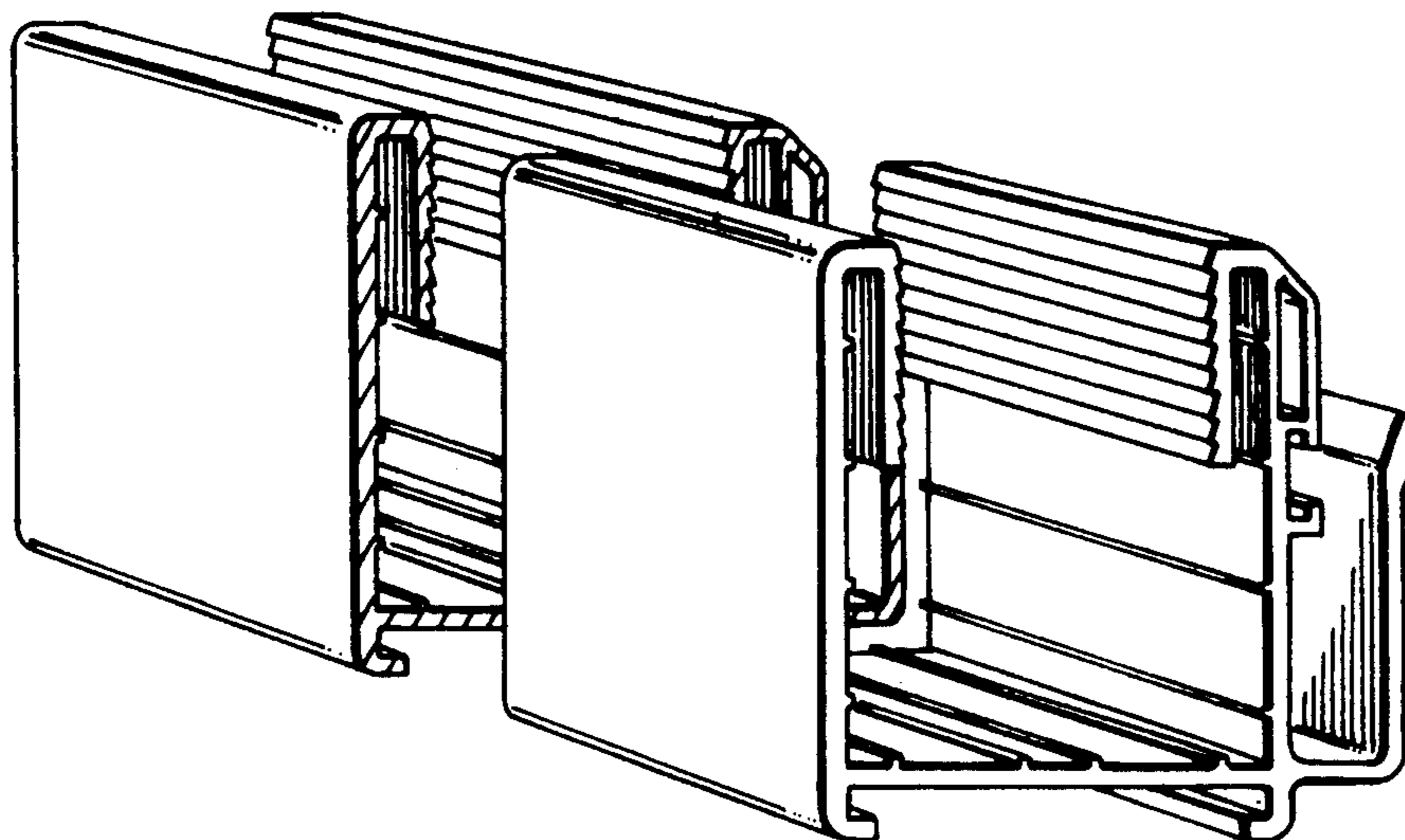
Primary Examiner—A. Hugo Word
Attorney, Agent, or Firm—John W. Malley

[57] CLAIM

The ornamental design for a window component extrusion, as shown.

DESCRIPTION

FIG. 1 is a broken perspective of one side of the extrusion, and FIG. 2 is a corresponding broken perspective from the opposite side of the extrusion compared to FIG. 1.



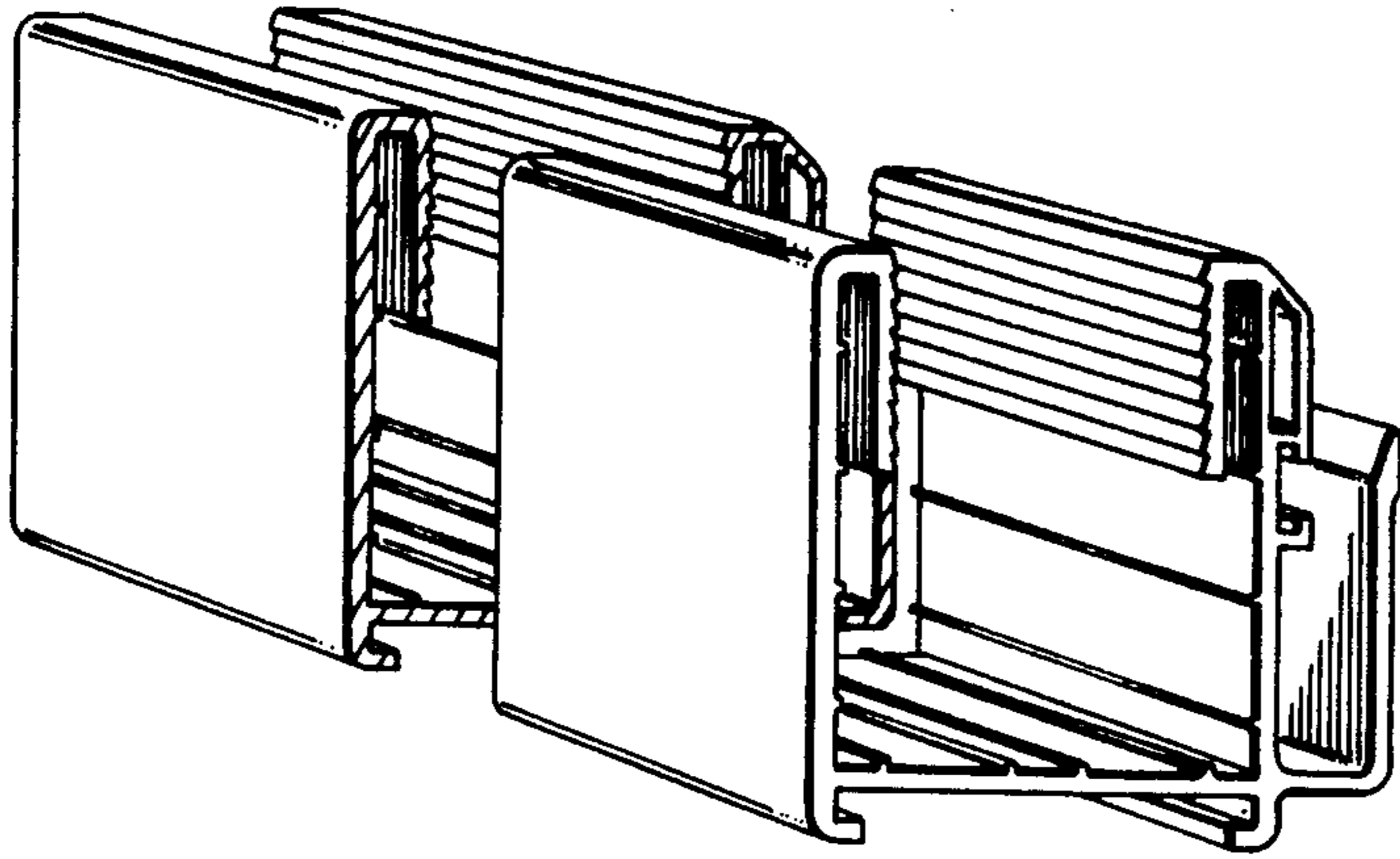


FIG. 1

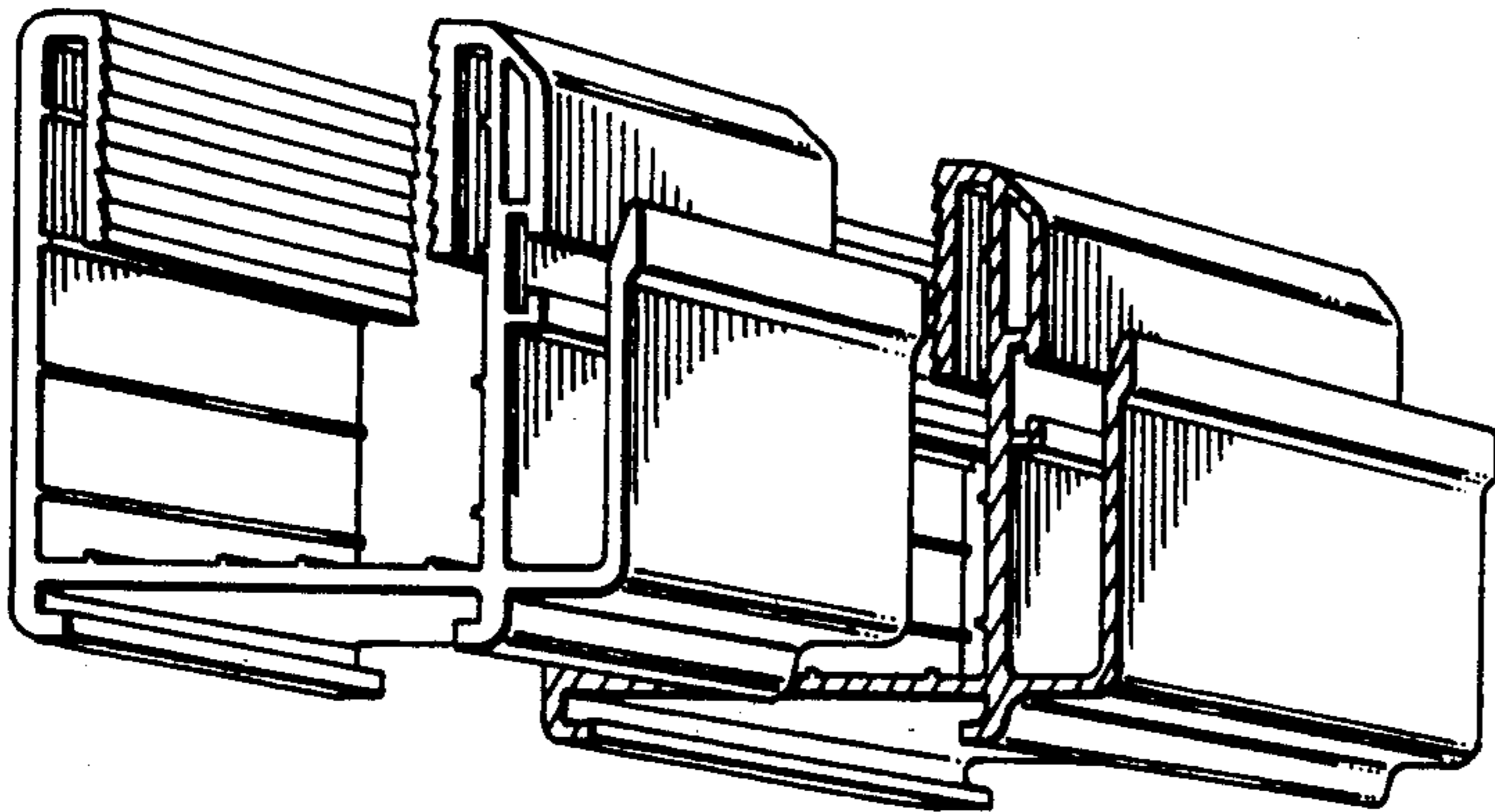


FIG. 2