

[54] **VACUUM SPLINT**

[75] **Inventor:** Peter Baturin, Winnipeg, Canada

[73] **Assignee:** Medical Products Institute Incorporated, Winnipeg, Canada

[**] **Term:** 14 Years

[21] **Appl. No.:** 949,905

[22] **Filed:** Oct. 10, 1978

[51] **Int. Cl.** D24-04

[52] **U.S. Cl.** D24/64

[58] **Field of Search** 128/87 R, 89 R, 89 A, 128/90; D24/64

3,745,998 7/1973 Rose 128/89 R

3,811,434 5/1974 Jacobson et al. 128/89 R

4,157,713 6/1979 Clarey 128/87 R

Primary Examiner—Bernard Ansher
Attorney, Agent, or Firm—Stanley G. Ade

[57] **CLAIM**

The ornamental design for a vacuum splint, as shown and described.

DESCRIPTION

FIG. 1 is a top plan view of a vacuum splint, showing my design;

FIG. 2 is a top end elevation thereof;

FIG. 3 is a bottom end elevation thereof;

FIG. 4 is a cross-section taken on line 4—4 of FIG. 1;

FIG. 5 is a side elevation thereof; and

FIG. 6 is a cross-section taken on line 6—6 of FIG. 1.

The undisclosed opposite side of FIG. 1 is a mirror image of FIG. 1 with the omission of the nozzle.

[56] **References Cited**

U.S. PATENT DOCUMENTS

D. 235,929 7/1975 Thompson D24/64

3,338,237 8/1967 Sconce 128/DIG. 20

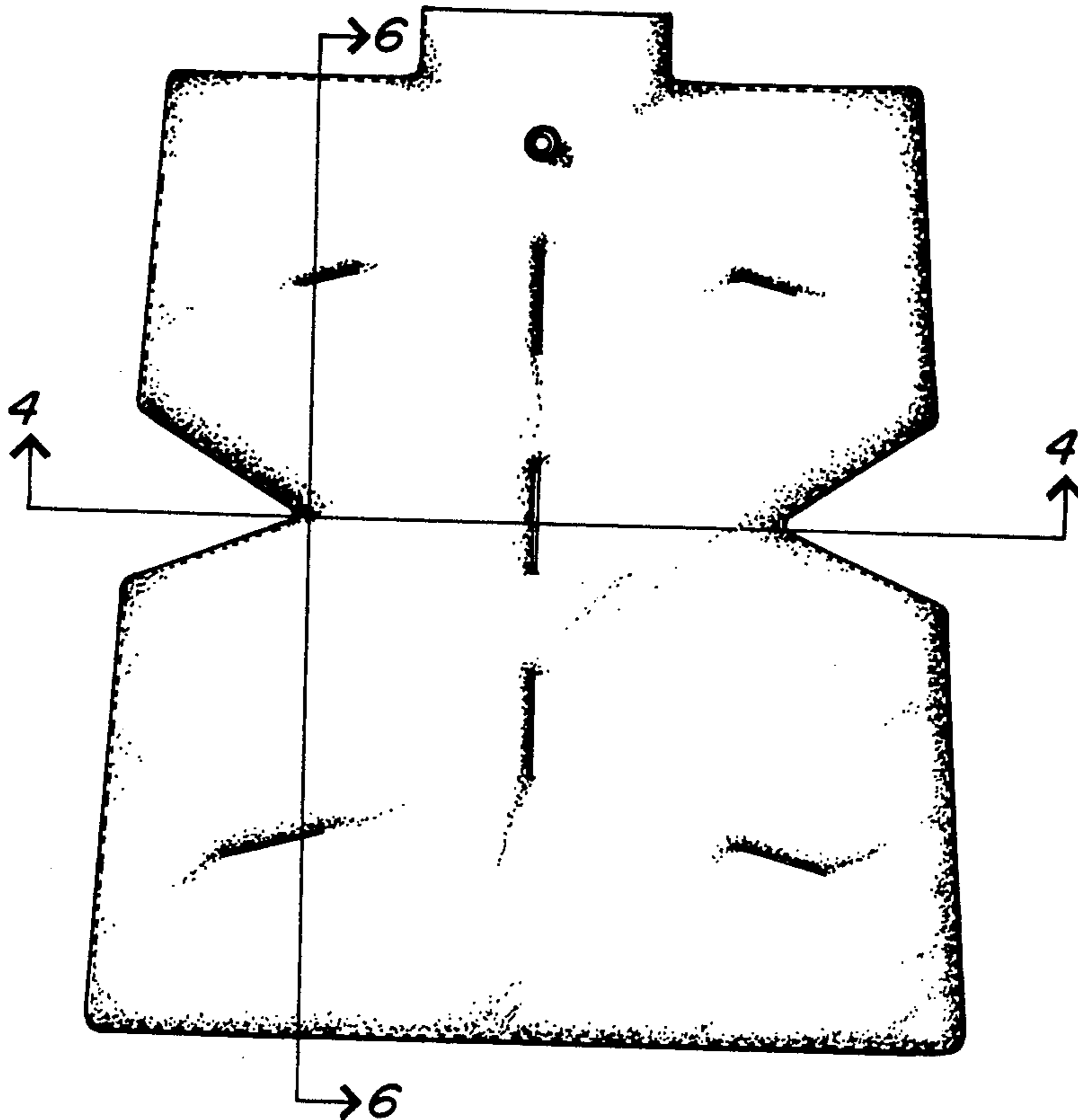


FIG. 1

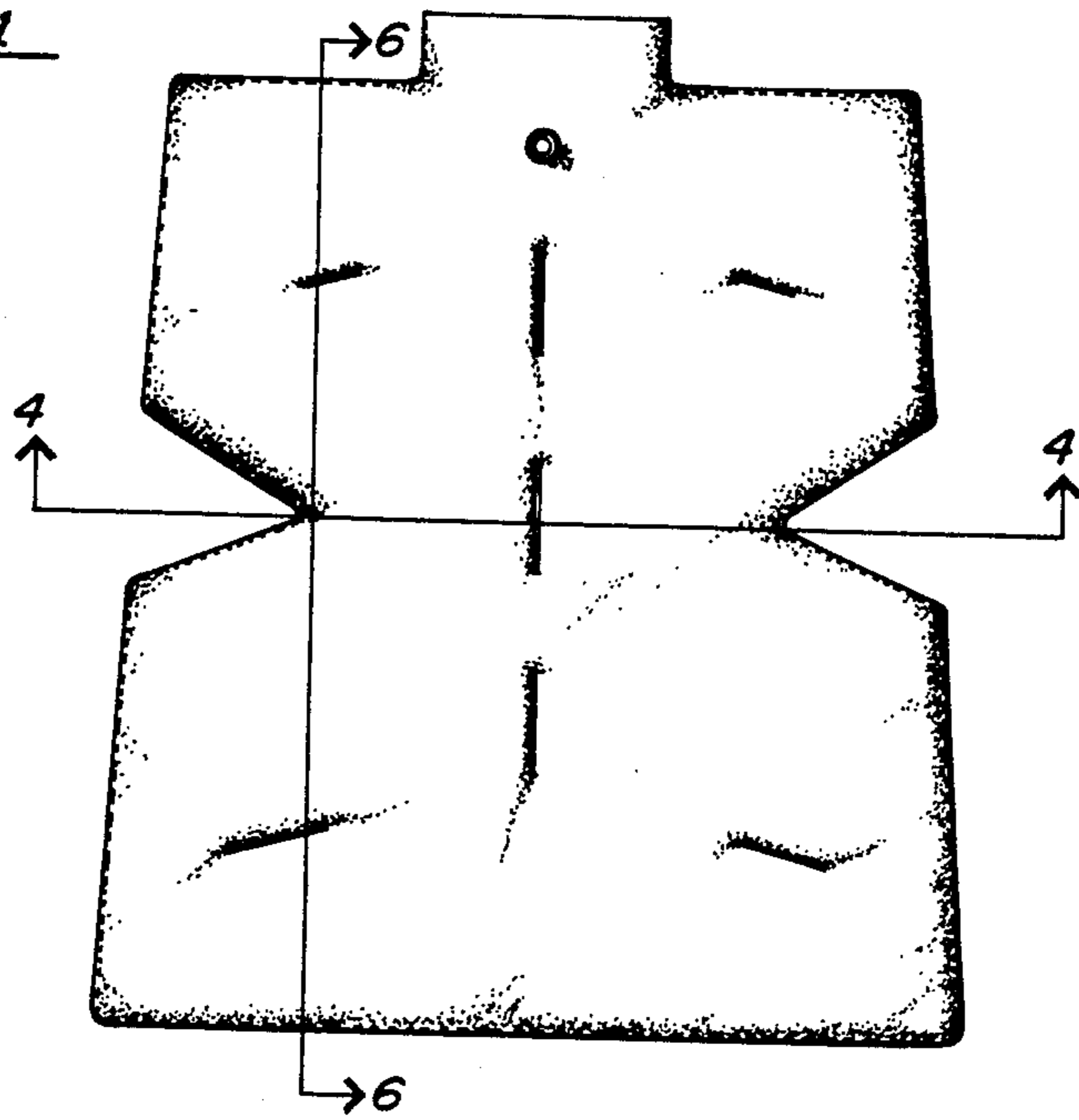


FIG. 2

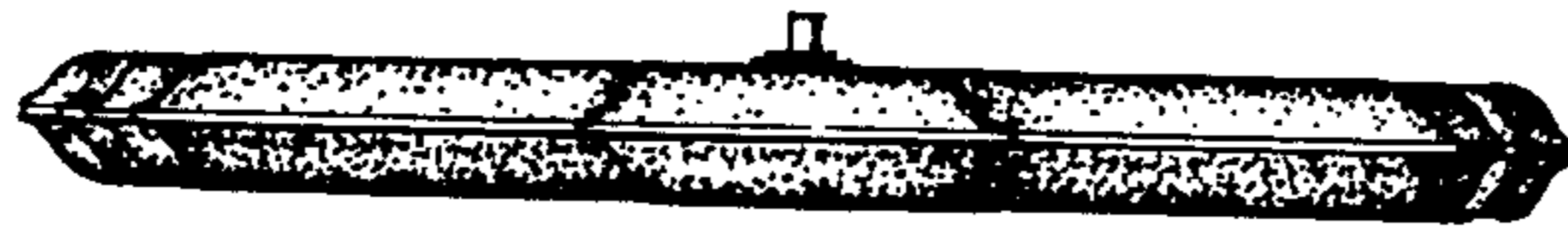


FIG. 3

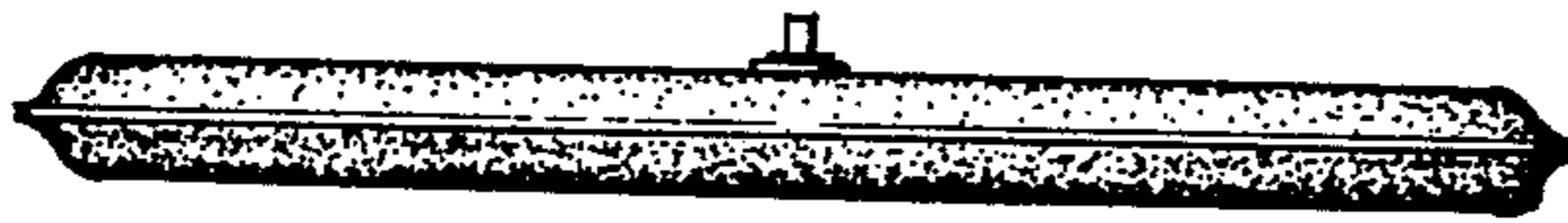


FIG. 4



FIG. 5



FIG. 6

