

[54] SOLAR WATER HEATER

[75] Inventor: Barend J. du Plooy, Bellville, South Africa

[73] Assignee: Shell South Africa (Proprietary) Ltd., Cape Town, South Africa

[**] Term: 14 Years

[21] Appl. No.: 969,951

[22] Filed: Dec. 18, 1978

[30] Foreign Application Priority Data

Aug. 11, 1978 [ZA] South Africa 78/1104

[51] Int. Cl. D23-03

[52] U.S. Cl. D23/86

[58] Field of Search D23/72, 77, 86, 127; D24/43; 150/2.1, 2.5; 126/426

[56] References Cited

U.S. PATENT DOCUMENTS

3,029,806 4/1962 Okuda 126/426
3,513,828 5/1970 Masters 126/426

FOREIGN PATENT DOCUMENTS

757954 12/1975 South Africa .
761480 11/1976 South Africa .

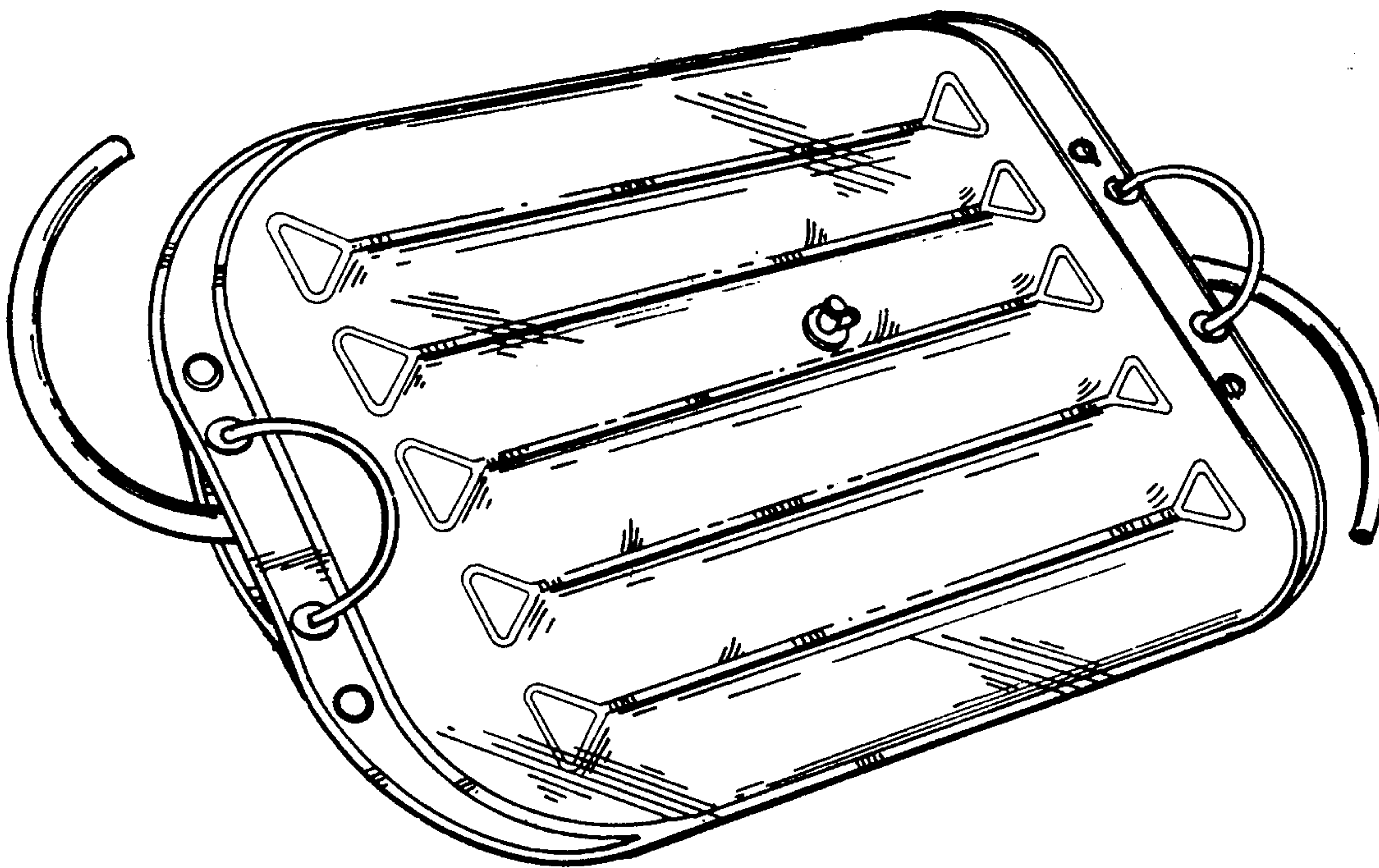
Primary Examiner—Catherine E. Kemper
Attorney, Agent, or Firm—Harold James

[57] CLAIM

The ornamental design for a solar water heater, as shown.

DESCRIPTION

FIG. 1 is a top perspective view of a solar water heater showing my new design; and FIG. 2 is a bottom perspective view thereof.



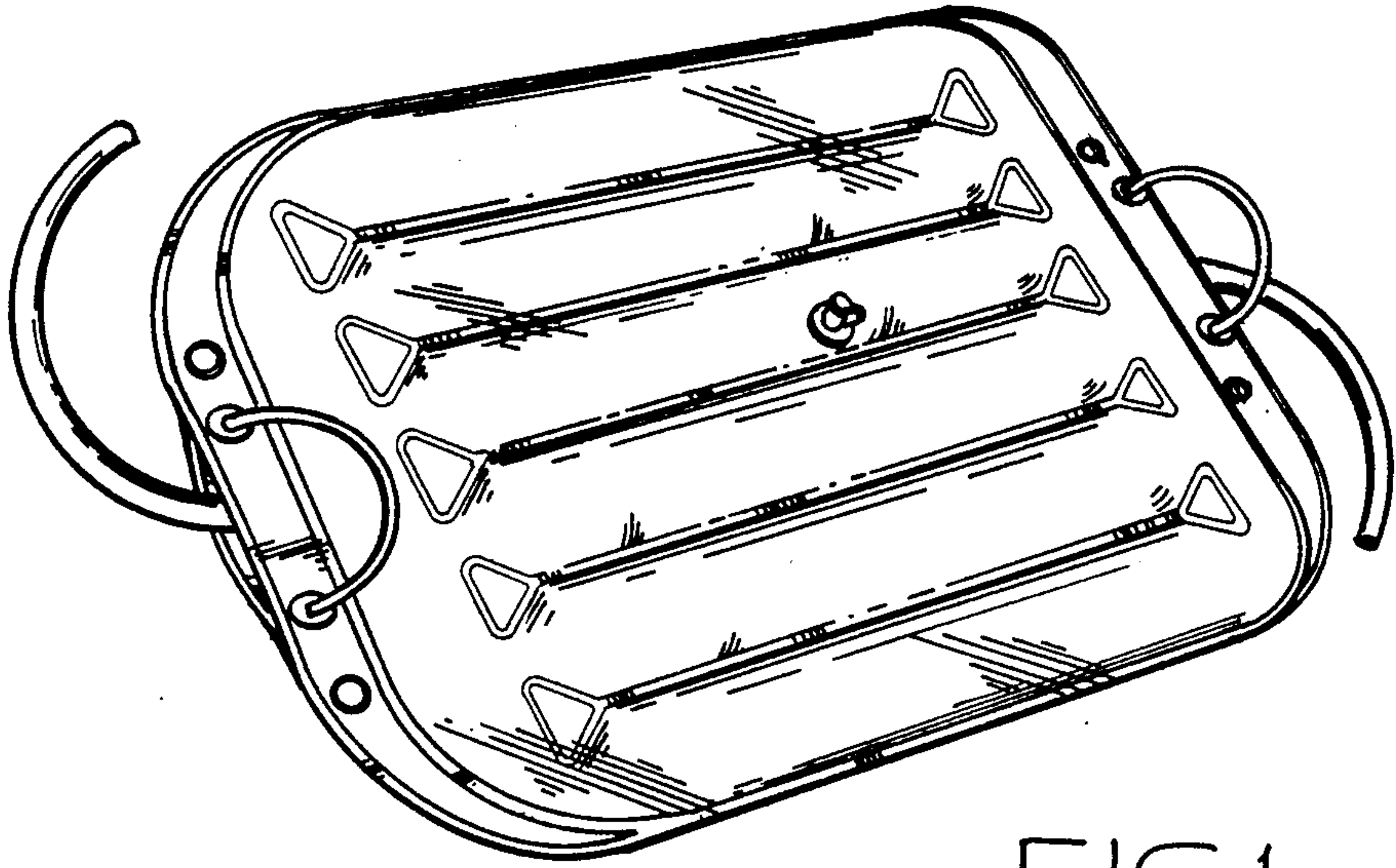


FIG. 1.

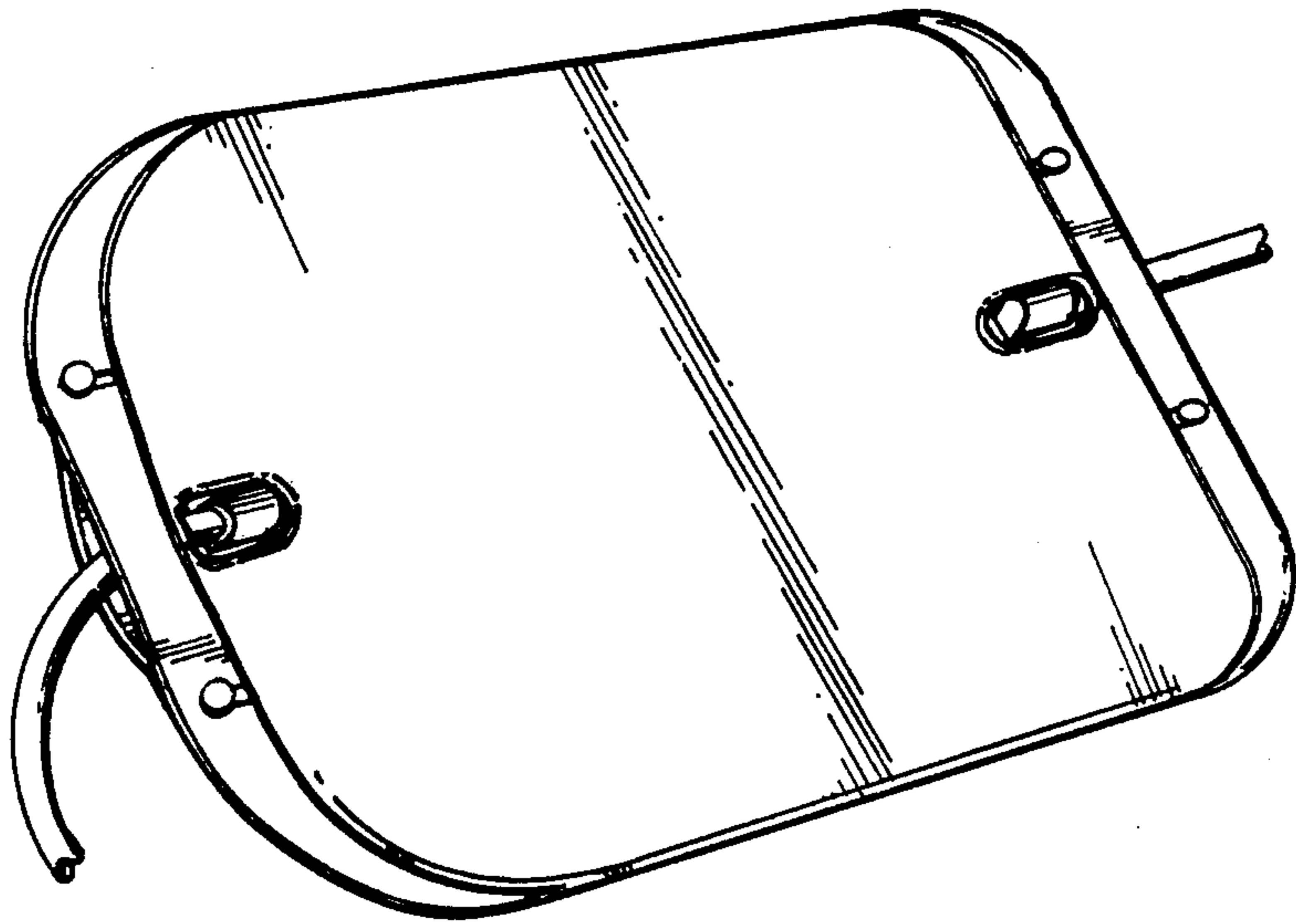


FIG. 2.