

[54] CASING FOR AN ELECTRONIC DICE GAME OR THE LIKE

[76] Inventor: Evelyn G. Case, 1308 Walnut St., Webster City, Iowa 50595

[\*\*] Term: 14 Years

[21] Appl. No.: 935,728

[22] Filed: Aug. 21, 1978

[51] Int. Cl. .... D21-01

[52] U.S. Cl. .... D21/41

[58] Field of Search ..... D21/41, 13; 273/138 A; D18/7

[56] References Cited

U.S. PATENT DOCUMENTS

D. 248,995 8/1978 Hazama et al. .... D18/7

OTHER PUBLICATIONS

Popular Electronics, Jul., 1975, p. 48, top electronic dice box.

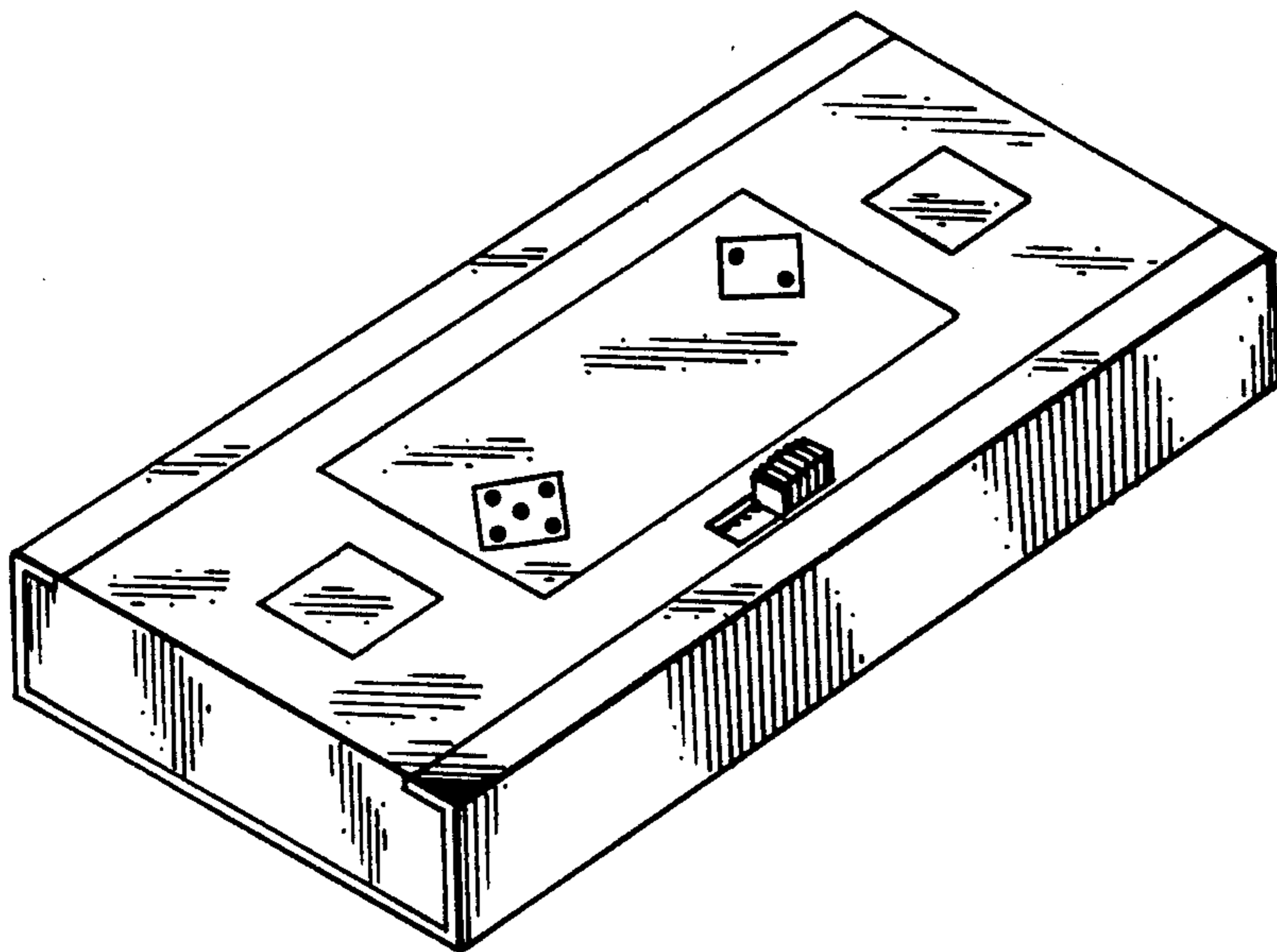
Primary Examiner—Melvin B. Feifer  
Attorney, Agent, or Firm—Henderson & Sturm

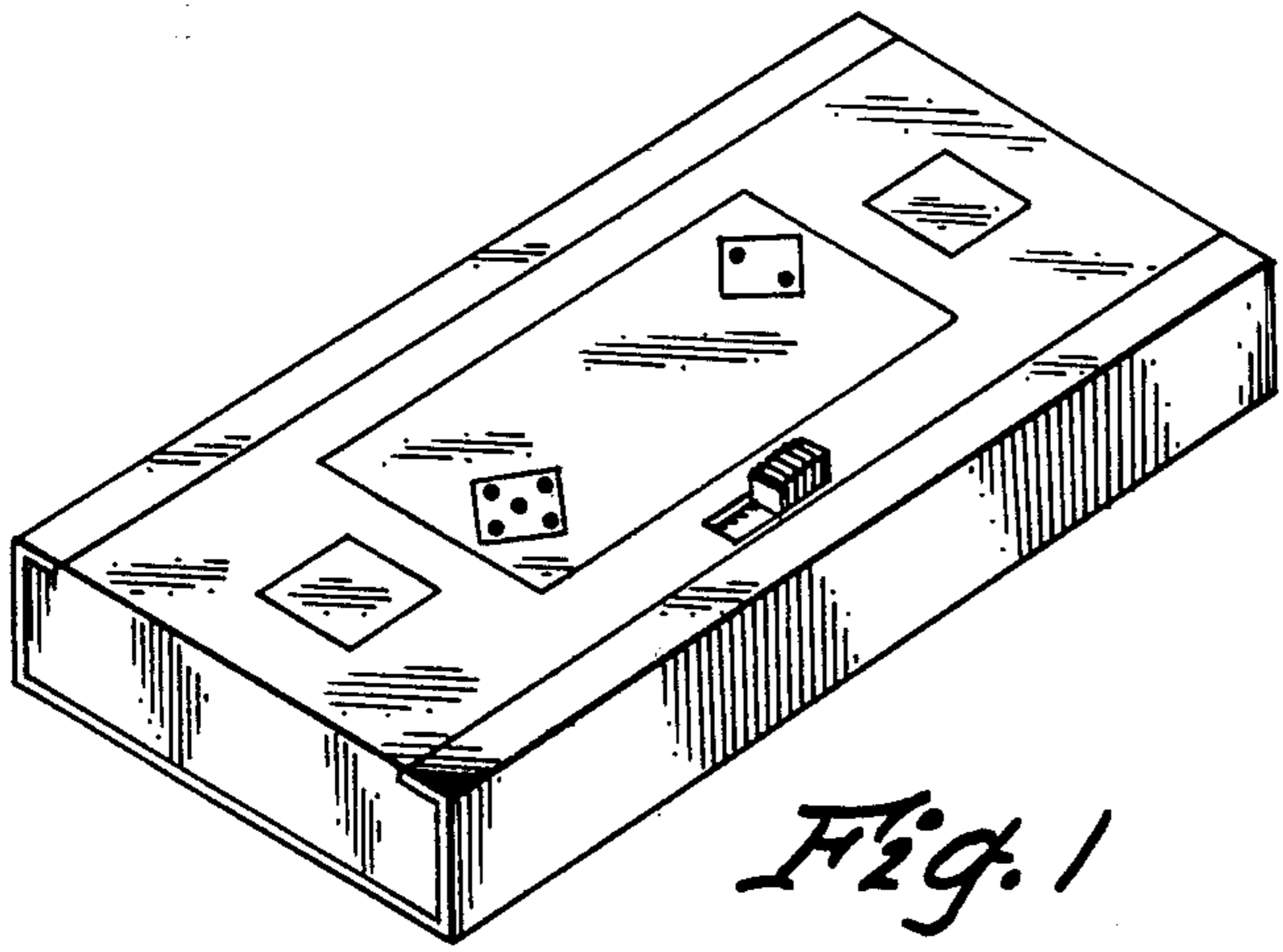
[57] CLAIM

The ornamental design for a casing for an electronic dice game or the like, substantially as shown and described.

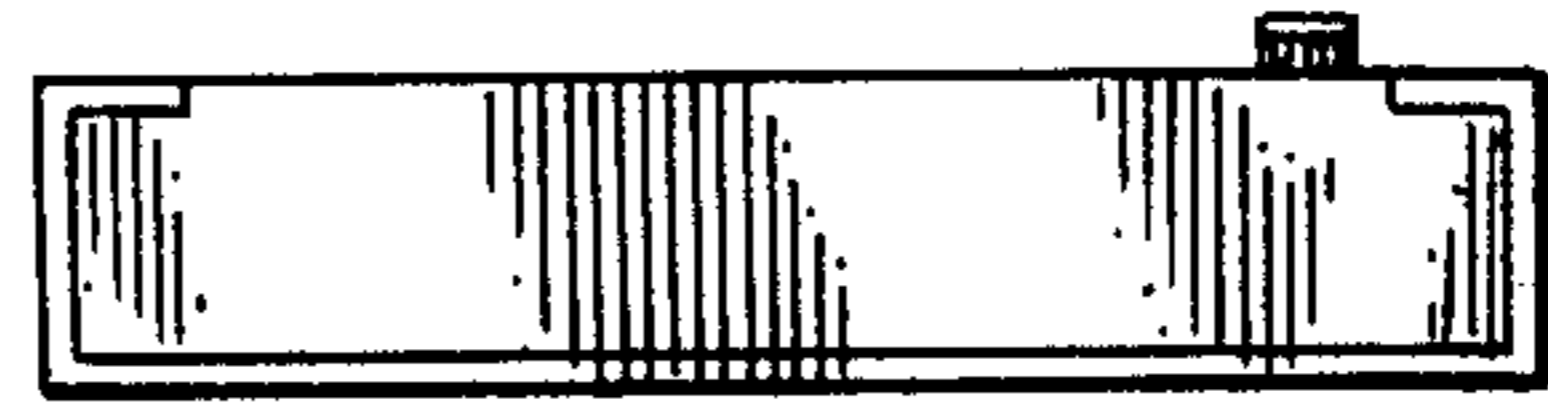
DESCRIPTION

FIG. 1 is a perspective view of a casing for an electronic dice game, or the like, showing my new design; FIG. 2 is an enlarged top plan view thereof; FIG. 3 is an enlarged side elevational view thereof; and FIG. 4 is an enlarged front elevational view thereof. The dice arrangement in FIGS. 1 and 2 are representative of various combinations.

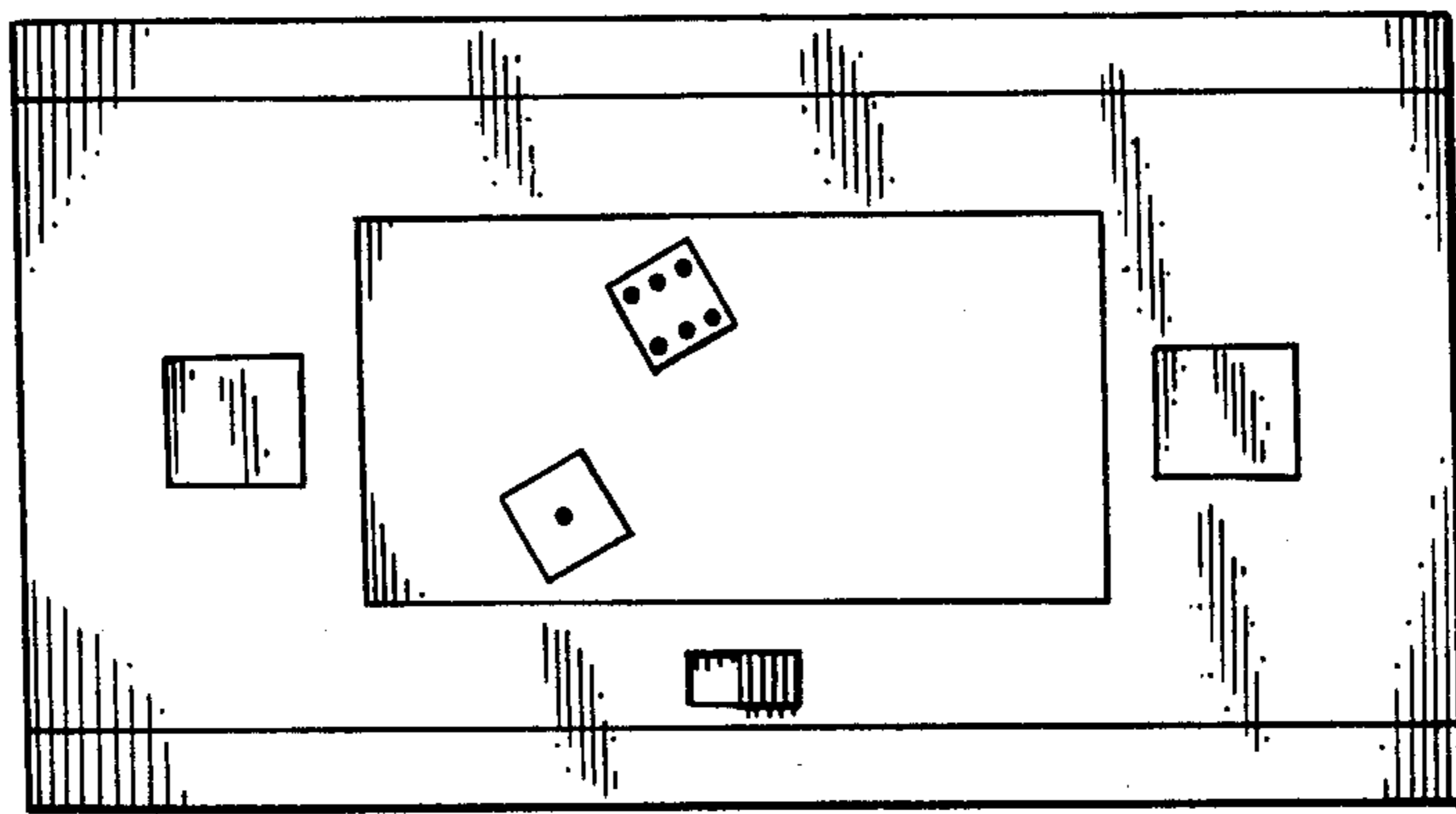




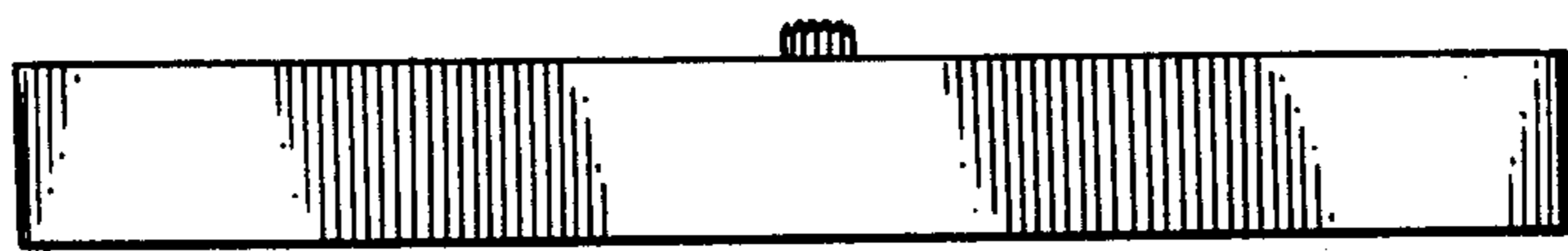
*Fig. 1*



*Fig. 3*



*Fig. 2*



*Fig. 4*