

[54] COIN CHUTE

[75] Inventors: Rex M. Maloy, Broken Arrow; C. David Coburn, Muskogee, both of Okla.

[73] Assignee: Orin W. Coburn, Muskogee, Okla.

[**] Term: 14 Years

[21] Appl. No.: 37,813

[22] Filed: May 10, 1979

[51] Int. Cl. D20-99

[52] U.S. Cl. D20/9

[58] Field of Search D20/8, 9; 194/1 K, 100 A

[56] References Cited

U.S. PATENT DOCUMENTS

- D. 115,125 6/1939 Patzer D20/9
- D. 116,143 8/1939 Patzer D20/9

- 2,288,014 6/1942 Mullen 194/100 A
- 2,589,214 3/1952 Andrews 194/100 A
- 3,889,792 6/1975 Willis 194/1 K
- 3,933,232 1/1976 Searle 194/100 A

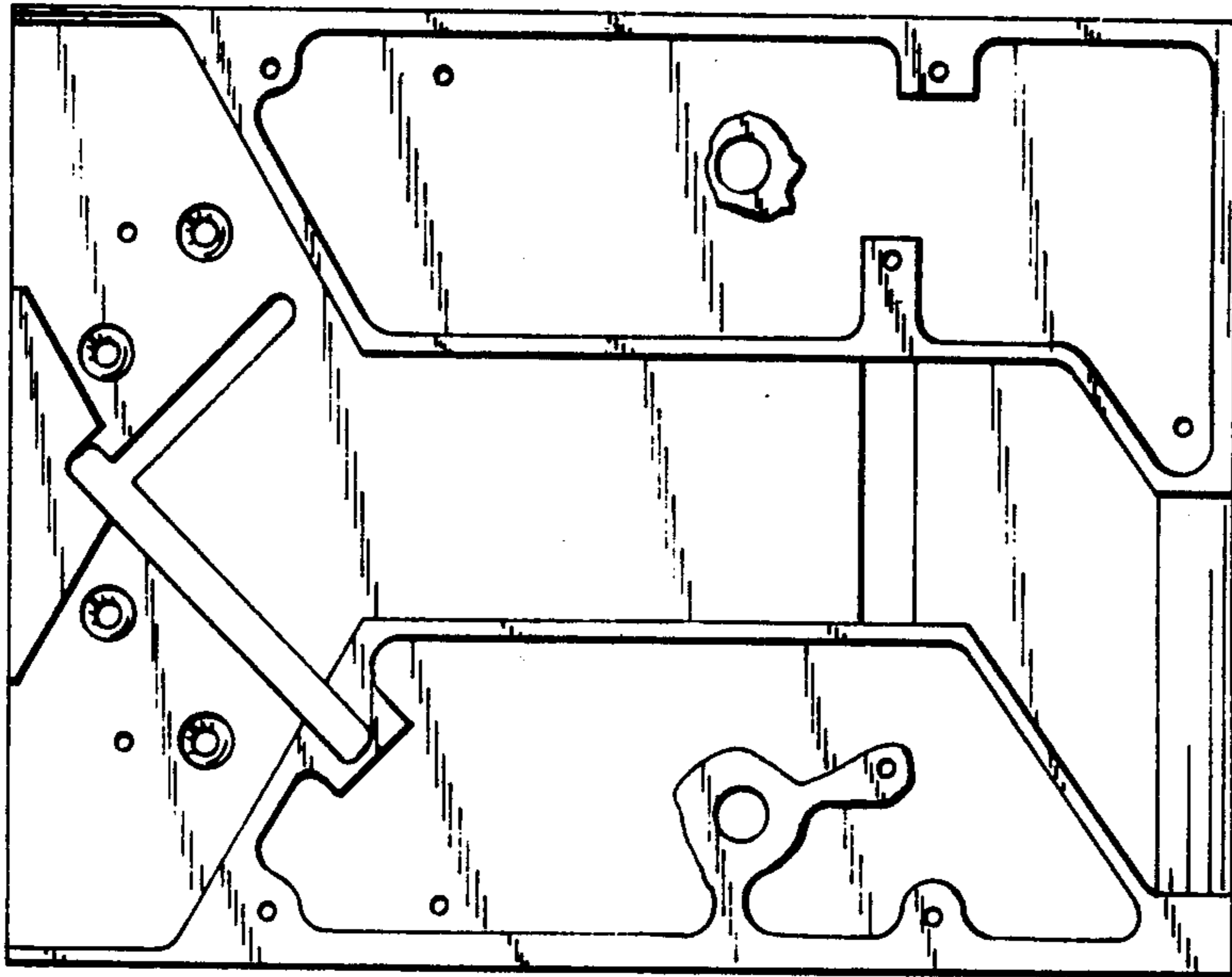
Primary Examiner—Nelson C. Holtje
Attorney, Agent, or Firm—Dunlap, Codding & McCarthy

[57] CLAIM

The ornamental design for a coin chute, as shown and described.

DESCRIPTION

- FIG. 1 is a rear elevational view of a coin chute showing our new design.
- FIG. 2 is a left side elevational view thereof.
- FIG. 3 is a top plan view thereof.
- FIG. 4 is a right side elevational view thereof.
- FIG. 5 is a bottom plan view thereof.
- FIG. 6 is a front elevational view thereof.



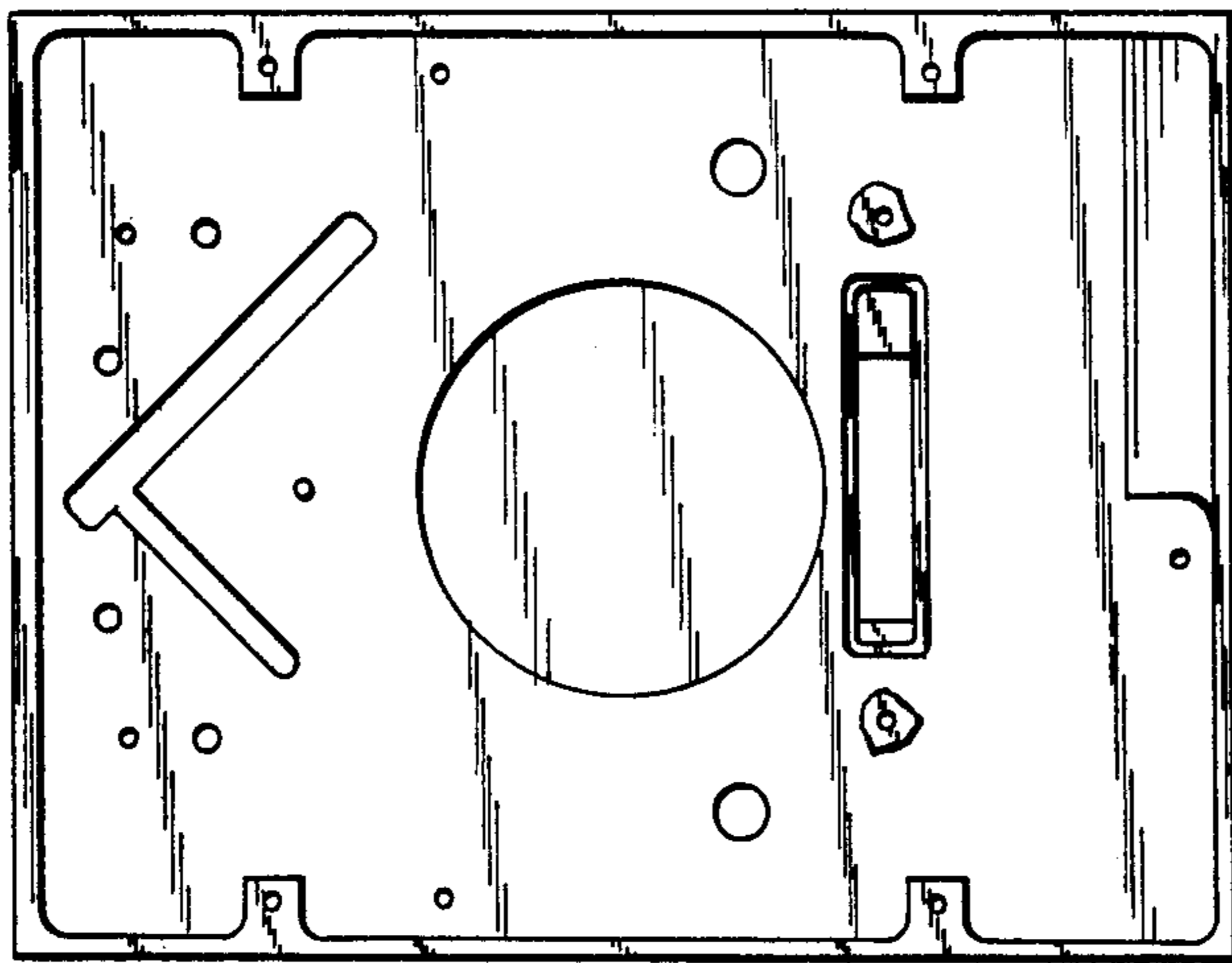


FIG. 1



FIG. 2



FIG. 3



FIG. 4

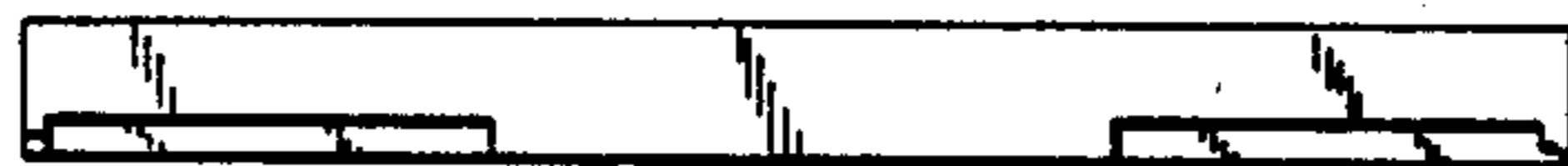


FIG. 5

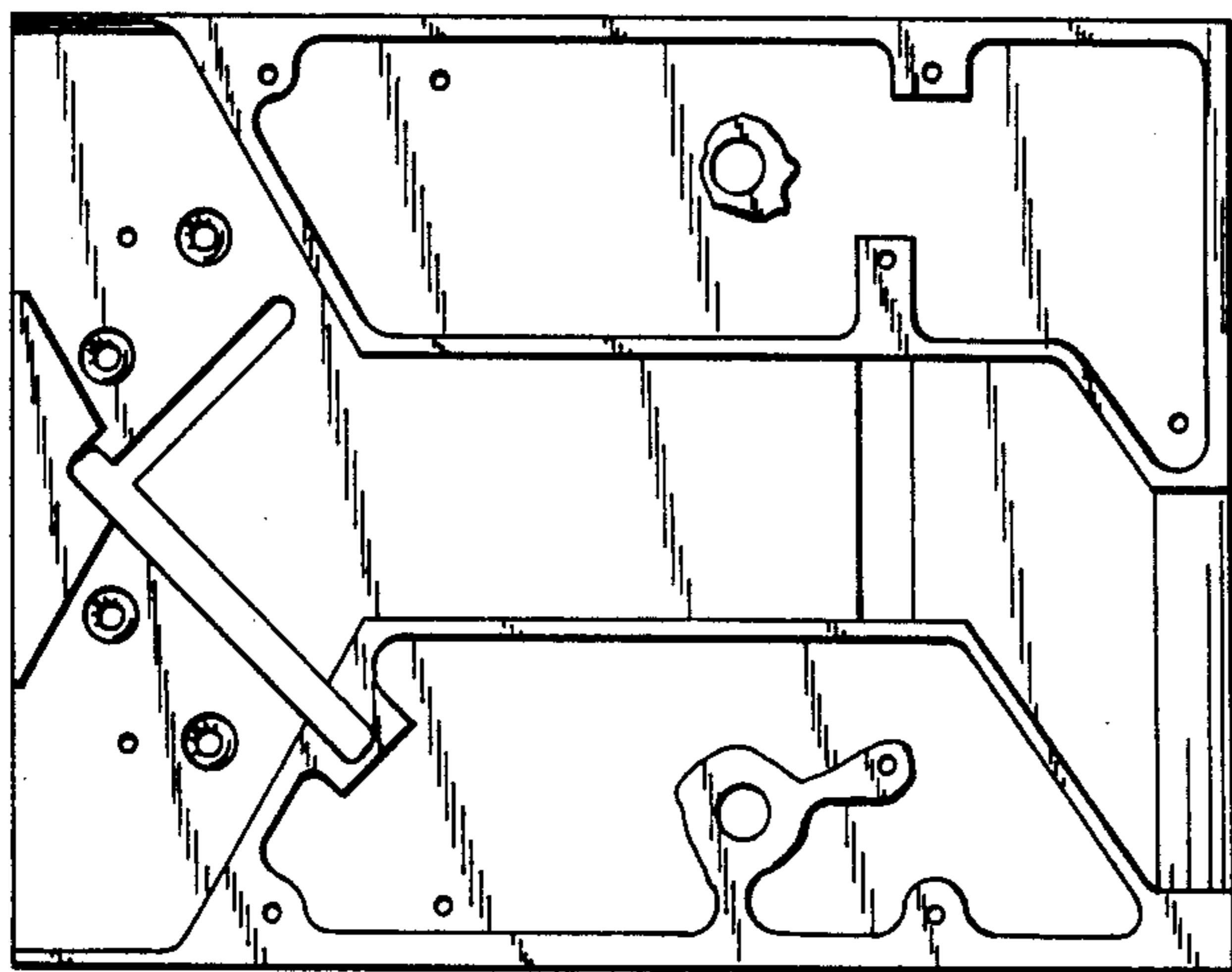


FIG. 6