

[54] FOUNTAIN PEN

[75] Inventors: Luigi Massoni; Dino Pelizza, both of Cermenate, Italy

[73] Assignee: Nazareno Gabrielli S.p.A., Italy

[\*\*] Term: 14 Years

[21] Appl. No.: 866,230

[22] Filed: Jan. 3, 1978

[51] Int. Cl. .... D19-06

[52] U.S. Cl. .... D19/49; D19/48

[58] Field of Search ..... D19/36, 37, 41-51, D19/54-57

[56] References Cited

U.S. PATENT DOCUMENTS

- D. 151,661 11/1948 Sherrer ..... D19/56
- D. 182,162 2/1958 Carreiro ..... D19/51

- D. 242,246 11/1976 Butler et al. .... D19/49
- D. 242,855 12/1976 Grinberg ..... D19/49

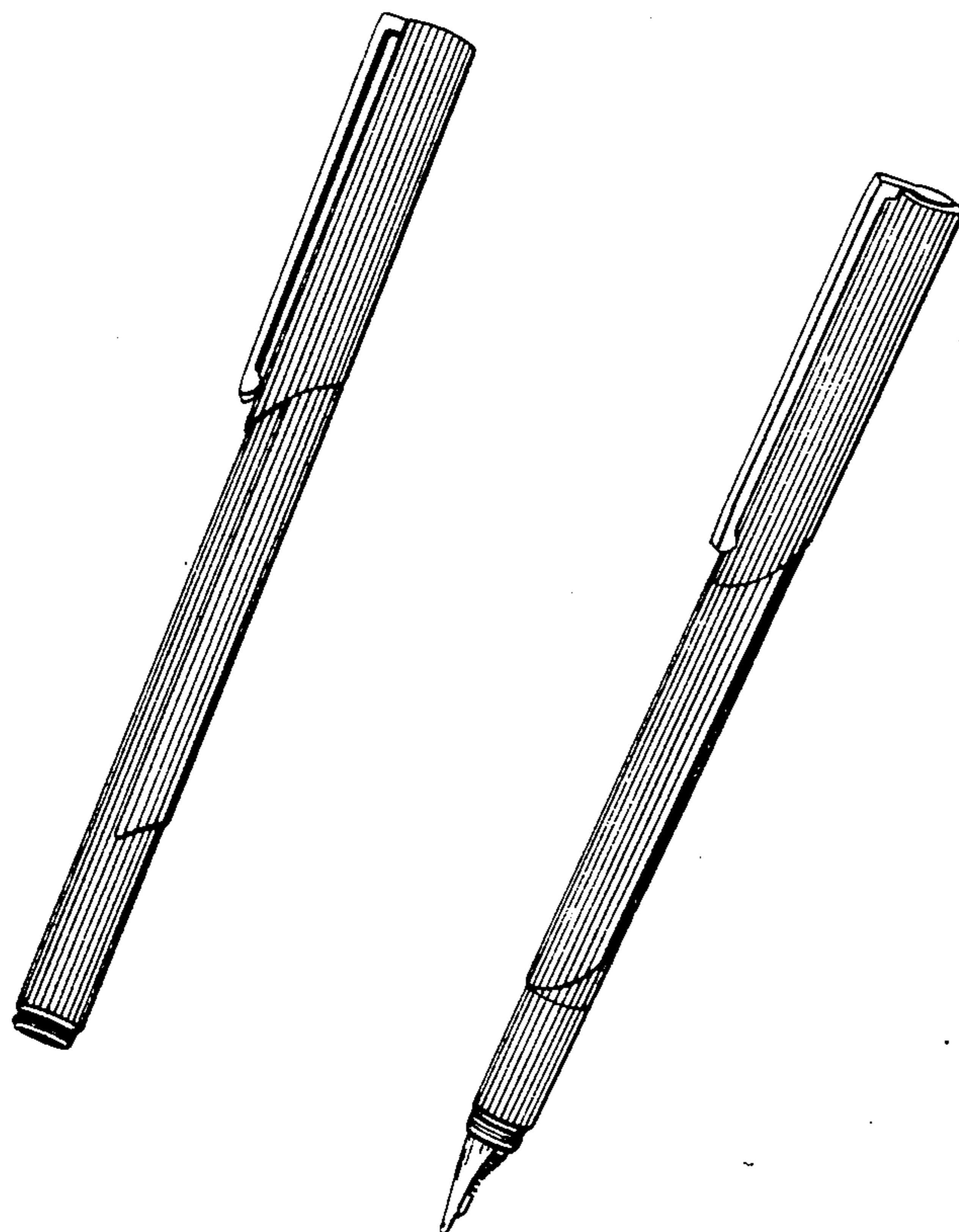
Primary Examiner—George P. Word  
Attorney, Agent, or Firm—John Clarke Holman

[57] CLAIM

The ornamental design for a fountain pen, as shown and described.

DESCRIPTION

FIG. 1 is a front elevational view of a fountain pen showing my new design;  
 FIG. 2 is a rear perspective view thereof;  
 FIG. 3 is a right side perspective view;  
 FIG. 4 is a right side perspective view with the cap deposited on the end remote from the writing point;  
 FIG. 5 is a perspective view of the fountain pen with a cap separated from the barrel; and  
 FIG. 6 is a left side perspective view with a cap deposited on the end remote from the writing point.



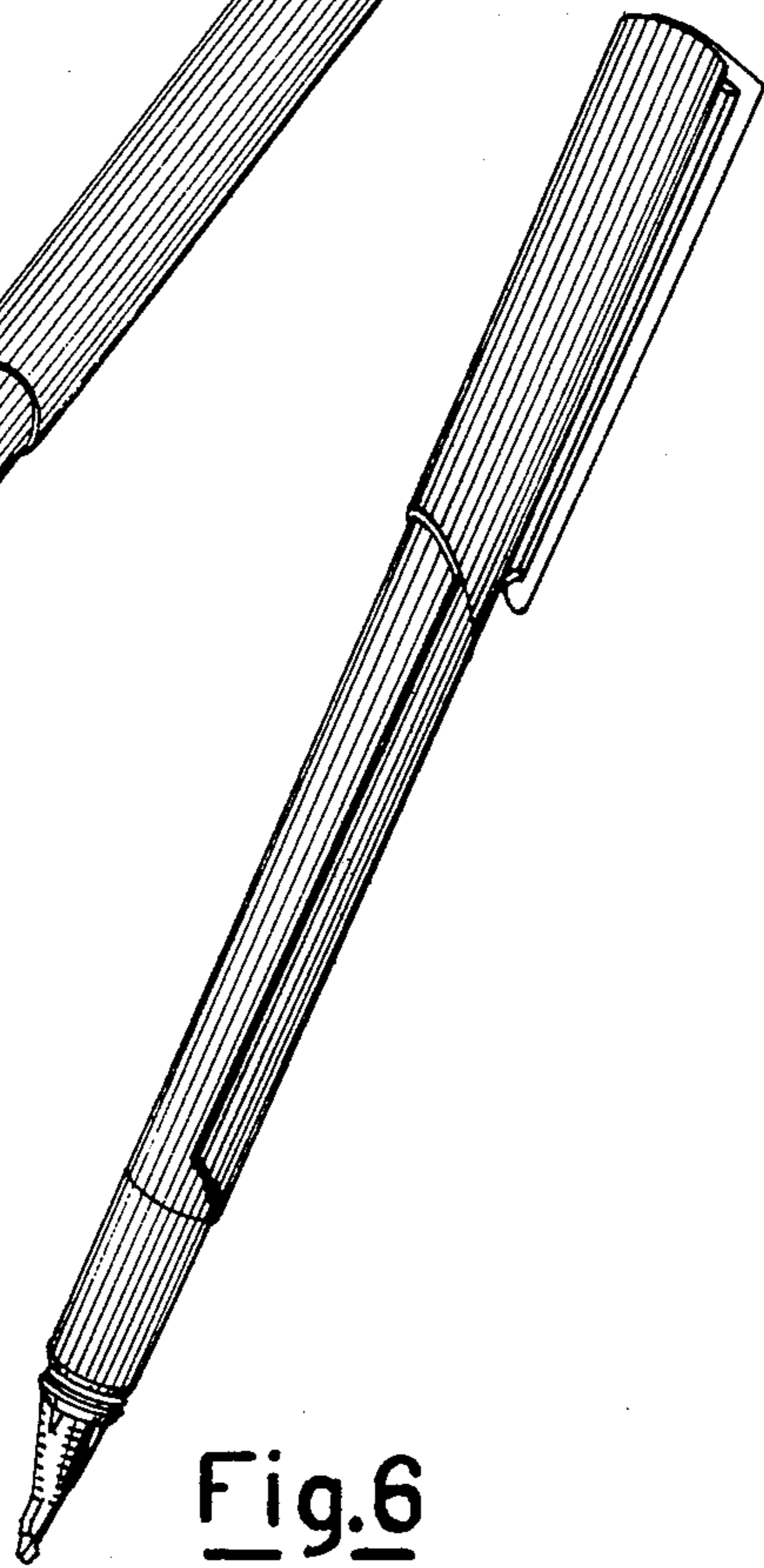
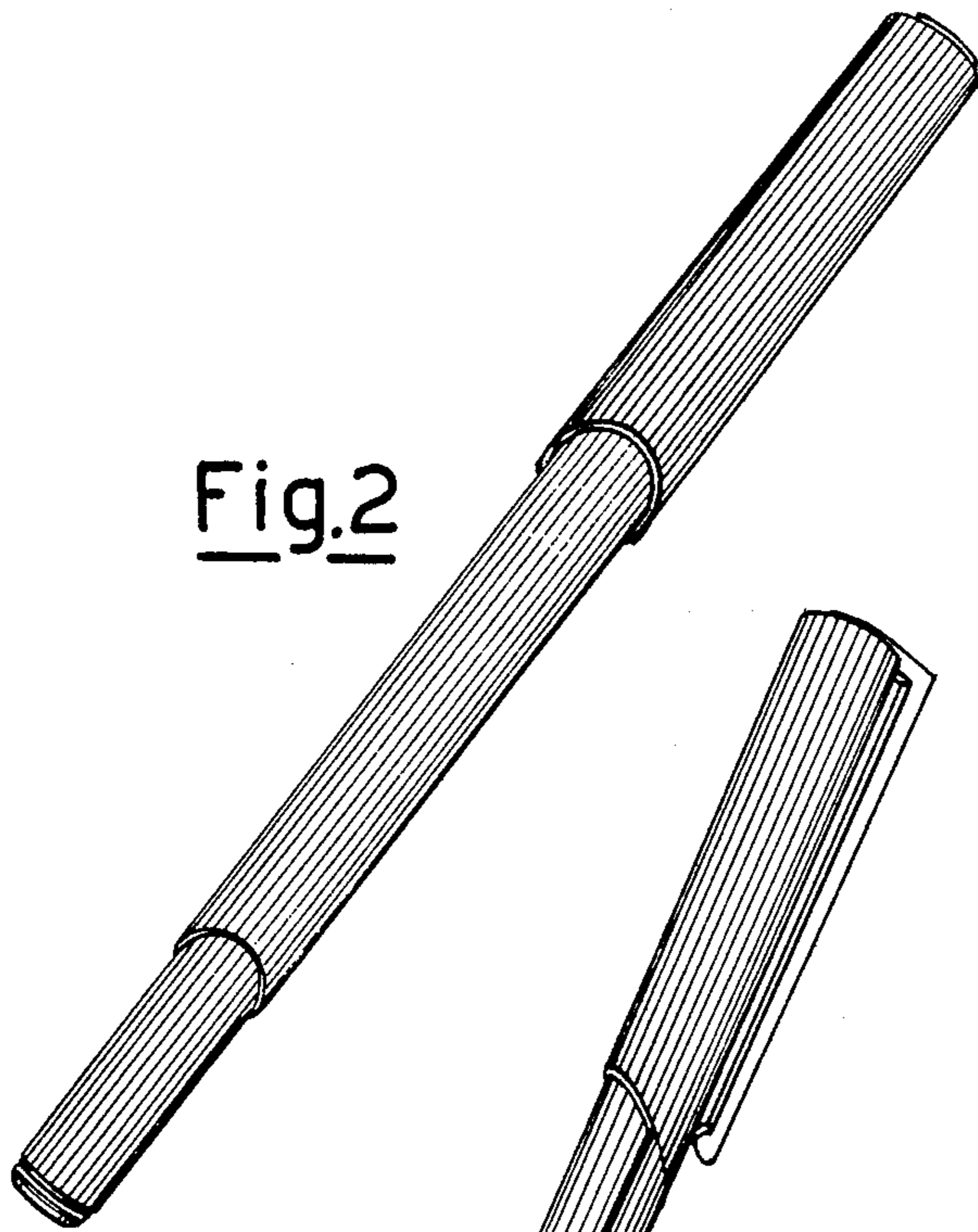


Fig. 1

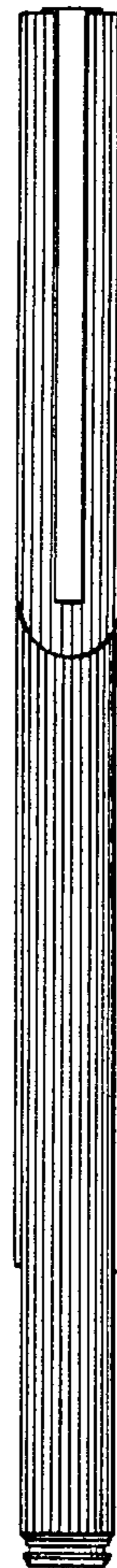


Fig.3

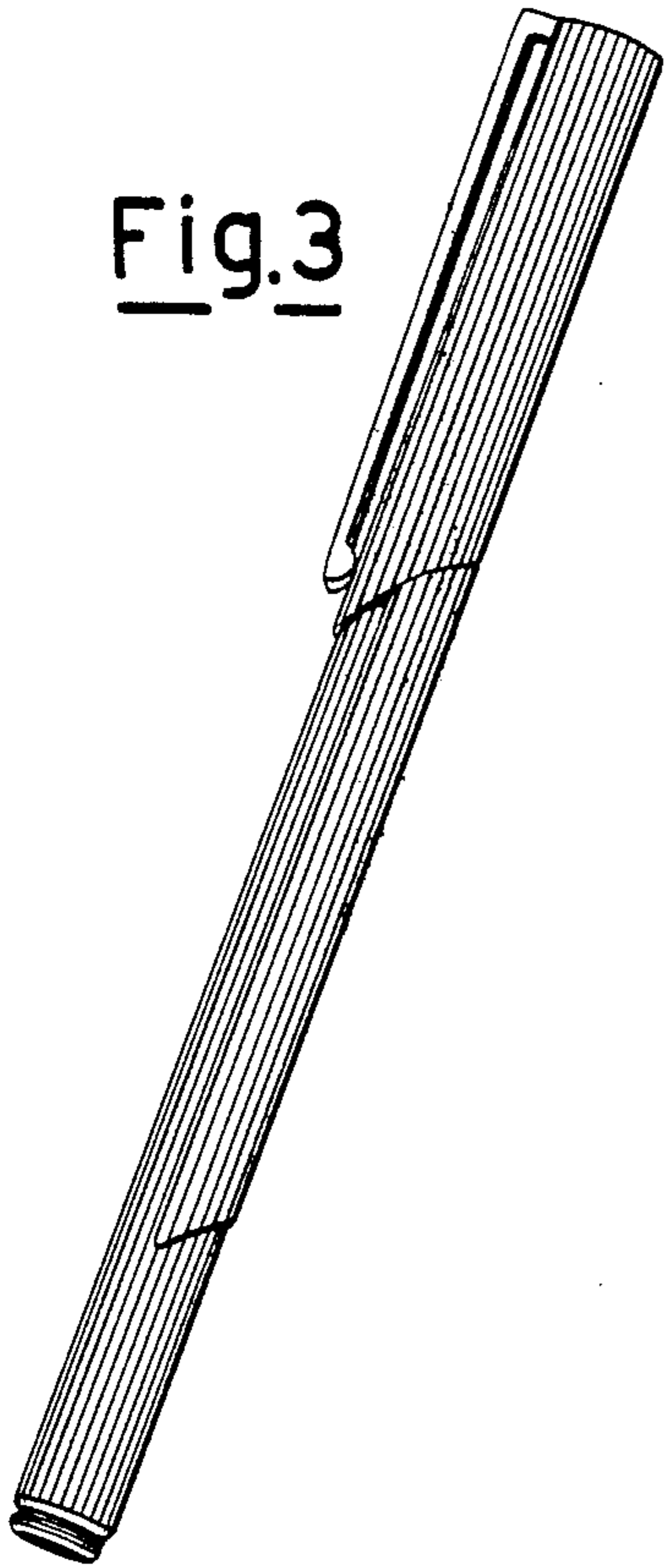


Fig.4

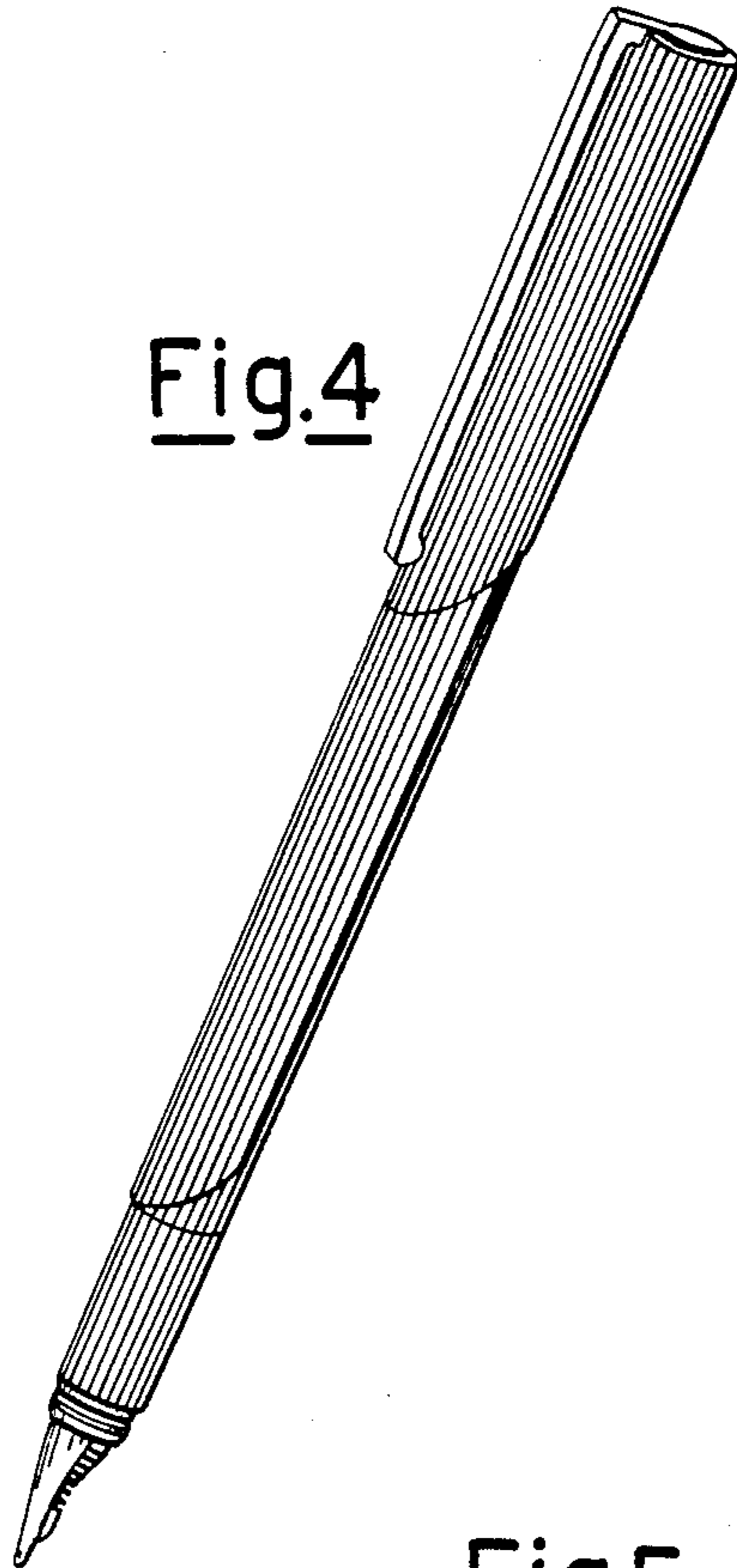


Fig.5

